

Altivar 21

Variable speed drives
for asynchronous motors

Programming Manual

Software V1.9

09/2009



Contents

Important information	5
Before You Begin	6
Documentation structure	8
Installation Manual	8
Programming Manual	8
Manuals for Modbus, Lonworks, BACnet, Metasys N2, Apogee FLN	8
Software enhancements	9
Enhancements made to version V1.1 in comparison to V1.0	9
Enhancements made to version V1.2 in comparison to V1.1	9
Enhancements made to version V1.3 in comparison to V1.2	9
Enhancements made to version V1.6 in comparison to V1.3	9
Enhancements made to version V1.7 in comparison to V1.6	9
Enhancements made to version V1.8 in comparison to V1.7	9
Enhancements made to version V1.9 in comparison to V1.8	9
Steps for setting up the drive	10
Factory configuration	11
Setup – Preliminary recommendations	12
Power switching via line contactor	12
User adjustment and extension of functions	12
Test on a low power motor or without a motor	13
Using motors in parallel	13
Using in single phase supply	13
Graphic display terminal	14
Graphic display terminal features	14
Graphic display terminal modes	15
Monitoring Mode	15
Run Mode	19
Programming Mode	19
Menu Structure	20
Menu Navigation	20
Submenus	22
Accessing and Changing Parameters	22
Common control schemes	24
2-wire control	24
3-wire control	25
External speed control potentiometer	26
4-20 mA speed control	26
Preset speeds (up to seven)	27
Serial communication	28
Forced local	28
PID control	29
Drive Operation	30
Local and Remote Modes of Operation	30
Local Mode	33
Resetting drive Faults in Local Mode	33
Logic Input Functions Active in Local Mode	34
Remote Mode	34
Quick Start	37
Quick menu AUF	37
Motor parameters	40
Programming Parameters	41
Parameter Reset (tYP)	41
Macro Programming (AU4)	42
Parameter Lock (F700)	43
Display of Submenu AUF (F738)	43

Contents

Motor Control Parameters	44
Motor Control Mode (Pt)	44
Motor Tuning	48
Auto-tuning	49
Supply Voltage Correction and Motor Voltage Limitation (F307)	51
Motor 2 Control Parameters	52
Drive Control Parameters	54
Application Parameters	59
Skip Frequencies	65
DC Injection Braking Parameters	66
I/O Control Parameters	67
Logic Input Function Compatibility	71
Relay Output Functions	72
Analog Input Functions	78
Analog Output Functions	79
Logic Inputs Function	80
Analog Input Adjustments (F201–F204; F160-F163; F210–F213; F470–F473)	81
Always Active Logic Function	89
Preset Speeds (Sr1 – Sr7)	90
+/- Speed Control Parameters	91
Display Parameters	94
Fault Management Parameters	97
Catch On The Fly (F301)	99
Overtorque Detection	105
Nuisance Overvoltage And Input Phase Fault Avoidance	106
Motor Overload Characteristics (OLN)	107
Serial Communication Parameters	109
Start/Stop Control By Speed Reference Level	114
Droop Control	115
Permanent Magnet Motor	116
Options	117
Faults - Causes - Remedies	118
Fault Conditions	118
Alarm Conditions	121
Pre-alarm Conditions	122
Resetting the drive after a Fault Condition	122
Parameters reset tables	123
Parameter Reset	123
Parameter values that do not vary by reset type	123
Parameter values that vary according to reset type	128
Parameter values that vary according to drive model, but not reset type	128
Parameter values that vary according to drive model and reset type	130
Parameter values that do not change if reset	131
User settings tables	132

Important information

PLEASE NOTE

Please read these instructions carefully and examine the equipment in order to familiarize yourself with the device before installing, operating or carrying out any maintenance work on it.

The following special messages that you will come across in this document or on the device are designed to warn you about potential risks or draw your attention to information that will clarify or simplify a procedure.



The addition of this symbol to a “Danger” or “Warning” safety label indicates that there is an electrical risk that will result in injury if the instructions are not followed.



This is a safety warning symbol. It warns you of the potential risk of injury. You must comply with all safety messages that follow this symbol in order to avoid the risk of injury or death.

DANGER

DANGER indicates an imminently hazardous situation which, if not avoided, **will result in** death, serious injury or equipment damage.

WARNING

WARNING indicates a potentially hazardous situation which, if not avoided, **can result in** death, serious injury or equipment damage.

CAUTION

CAUTION indicates a potentially hazardous situation which, if not avoided, **can result in** injury or equipment damage.

PLEASE NOTE:

Only qualified personnel are authorized to carry out maintenance work on electrical equipment. Schneider Electric accepts no responsibility for the consequences of using this device. This document does not constitute an instruction manual for inexperienced personnel.

© 2008 Schneider Electric. All rights reserved.

Before You Begin

Read and understand these instructions before performing any procedure with this drive.

DANGER

HAZARD OF ELECTRIC SHOCK, EXPLOSION, OR ARC FLASH

- Read and understand this manual before installing or operating the Altivar 21 drive. Installation, adjustment, repair, and maintenance must be performed by qualified personnel.
- The user is responsible for compliance with all international and national electrical code requirements with respect to grounding of all equipment.
- Many parts of this drive, including the printed circuit boards, operate at the line voltage. DO NOT TOUCH. Use only electrically insulated tools.
- DO NOT touch unshielded components or terminal strip screw connections with voltage present.
- DO NOT short across terminals PA/+ and PC/- or across the DC bus capacitors.
- Before servicing the drive:
 - Disconnect all power.
 - Place a “DO NOT TURN ON” label on all power disconnects.
 - Lock all power disconnects in the open position.
 - Disconnect all power, including external control power that may be present, before servicing the drive. WAIT 15 MINUTES to allow the DC bus capacitors to discharge. Then follow the “Bus Voltage Measurement Procedure” located in the Installation Manual, to verify that the DC voltage is less than 42 V. The drive LED is not an indicator of the absence of DC bus voltage.
- Install and close all covers before applying power or starting and stopping the drive.

Failure to follow these instructions will result in death or serious injury.

DANGER

UNINTENDED EQUIPMENT OPERATION

Before turning on the drive or upon exiting the configuration menus, ensure that the inputs assigned to the Run command are in a state that will not cause the drive to run. Otherwise, the motor can start immediately.

Failure to follow this instruction will result in death, serious injury, or equipment damage.

DANGER

UNINTENDED EQUIPMENT OPERATION

- Prevent accidental grounding of logic inputs configured for sink logic. Accidental grounding can result in unintended activation of drive functions.
- Protect the signal conductors against damage that could result in unintentional conductor grounding.

Failure to follow these instructions will result in death or serious injury.

Before You Begin

WARNING

LOSS OF CONTROL

- The designer of any control scheme must consider the potential failure modes of control paths and, for certain critical control functions, provide a means to achieve a safe state during and after a path failure. Examples of critical control functions are emergency stop and overtravel stop.
- Separate or redundant control paths must be provided for critical control functions.
- System control paths may include communication links. Consideration must be given to the implications of unanticipated transmission delays or failures.
- Each implementation of an Altivar 21 drive must be individually and thoroughly tested for proper operation before being placed into service.

Failure to follow these instructions can result in death, serious injury, or equipment damage.

WARNING

LOSS OF CONTROL

- Set the communication error trip time to stop the drive in case the remote graphic display terminal display is deactivated by an unusual event such as tripping, an operation error, or a power outage.
- Ensure that the communication error trip time is properly set before deactivating the remote graphic display terminal display.

Failure to follow these instructions can result in death, serious injury, or equipment damage.

Documentation structure

The following Altivar 21 technical documents are available on the Telemecanique website (www.telemecanique.com) as well as on the CD-ROM supplied with the drive.

Installation Manual

This manual contains complete mounting and wiring instructions.

Programming Manual

This describes the functions, parameters and use of the drive terminal (integrated display terminal and graphic display terminal). The communication functions are not described in this manual, but in the manual for the bus or network used.

Manuals for Modbus, Lonworks, BACnet, Metasys N2, Apogee FLN

These manuals describe the assembly, connection to the bus or network, signaling, diagnostics, and configuration of the communication-specific parameters via the integrated display terminal or the graphic display terminal. They also describe the communication services of the protocols.

Software enhancements

Since the Altivar ATV21 was first launched, it has benefited from the addition of several new functions. The software version is now V1.9. The old versions can be replaced by this new one without any modifications. Although this documentation relates to version V1.9, it can still be used with earlier versions, as the updates merely involve the addition of new values and parameters, and none of the parameters of the previous versions have been modified or removed. The software version is indicated on the nameplate attached to the body of the drive.

Enhancements made to version V1.1 in comparison to V1.0

- New factory value for **Supply Voltage Correction and Motor Voltage Limitation** $F 307 =$ **Supply Voltage Corrected** - motor voltage unlimited ($F 307 = 3$). See page [51](#).
- Modify factory value for **Motor No-load Current** $F 416 =$ According to drive model. See page [48](#).
- New factory value for **FL Relay Function** $F 132 =$ **Inversion of fault relay** ($F 132 = 11$). See page [85](#).
- No detection of **Ground Fault** $E F 2$ during **Line supply undervoltage fault** $n0FF$ over 22 kW product.

Enhancements made to version V1.2 in comparison to V1.1

- New factory value for **Motor Current Limit** $F 601 =$ 110 % of the drive's output current rating. See page [47](#).
- New factory value for **Motor 2 Current Limit** $F 185 =$ 110 % of the drive's output current rating. See page [52](#).
- In case of **Supply Voltage Correction and Motor Voltage Limitation** $F 307 =$ **Supply voltage uncorrected** ($F 307 = 0$ or 2), auto-swap the **Motor rated voltage** $u 1u$ as 200 V (200 V range) or 400 V (400 V range). See page [51](#) and page [40](#).

Enhancements made to version V1.3 in comparison to V1.2

- New factory value for **Time-out** $F 803 =$ 3 seconds of the drive's output current rating. See page [110](#).

Enhancements made to version V1.6 in comparison to V1.3

- New factory value for **Auto Fault Reset** $F 303 =$ **Disabled** ($F 303 = 0$). See page [97](#).
- **Overvoltage Fault** OPx is automatically re-start when **Auto Fault Reset** $F 303 =$ **Disabled** ($F 303 = 0$). See page [120](#) and page [97](#).
- New factory value for **Disabling of graphic display terminal Fault Reset Function** $F 735 =$ **Disabled** ($F 735 = 1$). See page [58](#).
- Improvement of speed search function.
- Modify external keypad interface (text on "Stop" button becomes "Stop / Reset").
- Stop key from optional graphic display terminal (VW3A21101).

Enhancements made to version V1.7 in comparison to V1.6

- New parameter **Power supply adjustment gain** $F 484$. See page [106](#).
- Clear PID integral value (function 65) and PID Control Prohibited (function 14) are valid for all **Remote Mode Start/Stop Control** $C n0d$ adjustment.

Enhancements made to version V1.8 in comparison to V1.7

- Improvement countermeasure of vibration issue ($F 484$). See page [106](#).

Enhancements made to version V1.9 in comparison to V1.8

New parameters:

- **Delay for RY-RC Relay** $F 146$. See page [85](#).
- **Delay for FL Relay** $F 147$. See page [85](#).
- **Threshold logic for relay link to VIA** $F 160$. See page [81](#).
- **Hysteresis threshold for logic relay link to VIA** $F 161$. See page [81](#).
- **Threshold logic for relay link to VIB** $F 162$. See page [81](#).
- **Hysteresis threshold for logic relay link to VIB** $F 163$. See page [81](#).
- **PI regulator reversal direction correction** $F 380$. See page [87](#).
- **Stop on LL hysteresis** $F 391$. See page [87](#).
- **PI wake up threshold on PI error** $F 392$. See page [87](#).
- **PI wake up threshold on PI feedback error** $F 393$. See page [87](#).
- **Drive behaviour on 4-20 event** $F 644$. See page [104](#).
- **Fallback speed** $F 649$. See page [104](#).
- **Low frequency when analog output equal 0 V** $F 694$. See page [84](#).
- **High frequency when analog output equal 0 V** $F 695$. See page [84](#).

INSTALLATION

- 1 Consult the Installation Manual

PROGRAMMING

- 2 Configure the parameters

- Quick menu AUF
- Motor parameters
- Perform an auto-tuning operation



- 3 Start

Tips:

- Before you start programming, complete the user setting tables, page [132](#).
- Perform an auto-tuning operation to optimize performance, page [48](#).
- If you get lost, return to the factory settings, page [123](#).



Note: Check that the wiring of the drive is compatible with its configuration.

Factory configuration

Drive factory settings

The Altivar 21 is factory-set for the most common operating conditions:

- Motor Control Mode $P L$: Variable torque ($P L = 1$). See page [45](#).
- High speed $U L$ = 50.0 Hz. See page [59](#).
- Low speed $L L$ = 0.0 Hz. See page [59](#).
- Switching Frequency Level $F 3 0 0$: depending on drive rating (see page [64](#))
- Auto Ramp Adaptation $A U I$ = Enabled ($A U I = 1$). See page [64](#).

Parameter which depends on Macro Programming $A U 4$ = Factory setting 0 (see page [42](#)):

- Command reference: logic inputs ($C P 0 d = 0$). See [Remote Mode Start/Stop Control](#) page [54](#).
- Speed reference: analog input VIA = 0–10 V or 0–20 mA ($F P 0 d = 1$, $F 2 0 I = 0$). See [Remote Mode Primary Speed Reference Source \$F P 0 0\$](#) page [54](#) and [Analog Input Speed Reference](#) page [81](#).
- F: run forward ($F 1 1 1 = 2$). See [F Logic Input Function](#) page [80](#).
- R: preset speed 1 ($F 1 1 2 = 6$). See [R Logic Input Function](#) page [80](#).
- RES: fault reset ($F 1 1 3 = 10$). See [RES Logic Input Function](#) page [80](#).
- Drive ready for operation ($F 1 1 0 = 1$). See [Always Active Logic Function 2](#) page [89](#).

If the above values are compatible with the application, the drive can be used without changing the settings.

Setup – Preliminary recommendations

CAUTION

INCOMPATIBLE LINE VOLTAGE

Before turning on and configuring the drive, ensure that the line voltage is compatible with the supply voltage range shown on the drive nameplate. The drive may be damaged if the line voltage is not compatible.

Failure to follow these instructions can result in equipment damage.

Power switching via line contactor

CAUTION

UNINTENDED EQUIPMENT OPERATION

- Avoid operating the contactor frequently (premature ageing of the filter capacitors).
- Cycle times < 60 s may result in damage to the pre-charge resistor.

Failure to follow these instructions can result in equipment damage.

User adjustment and extension of functions

- The display unit and buttons can be used to modify the settings and to extend the functions described in the following pages.
- **Return to factory settings** is made easy by the [Parameter Reset E 4 P](#) (see page [41](#)).

DANGER

UNINTENDED EQUIPMENT OPERATION

- Check that changes made to the settings during operation do not present any danger.
- We recommend stopping the drive before making any changes.

Failure to follow these instructions will result in death or serious injury.

Setup – Preliminary recommendations

Test on a low power motor or without a motor

- In factory settings mode, Output Phase Failure Detection Mode $F E D S$ (see page 102) is active ($F E D S = 3$). To check the drive in a test or maintenance environment without having to switch to a motor with the same rating as the drive (particularly useful in the case of high power drives), deactivate $F E D S = 0$.
- Set Motor Control Mode $Pt = \text{Constant V/Hz } 0$ (see page 45)

CAUTION

UNINTENDED EQUIPMENT OPERATION

Motor thermal protection will not be provided by the drive if the motor current is less than 0.2 times the rated drive current. Provide an alternative means of thermal protection.

Failure to follow these instructions can result in equipment damage.

Using motors in parallel

- Set Motor Control Mode $Pt = \text{Constant V/Hz } 0$ (see page 45).

CAUTION

UNINTENDED EQUIPMENT OPERATION

Motor thermal protection is no longer provided by the drive. Provide an alternative means of thermal protection on every motor.

Failure to follow these instructions can result in equipment damage.

Using in single phase supply

- Set Input Phase Failure Detection Mode $F E D B = \text{Disabled } 0$ (see page 100).

CAUTION

UNINTENDED EQUIPMENT OPERATION

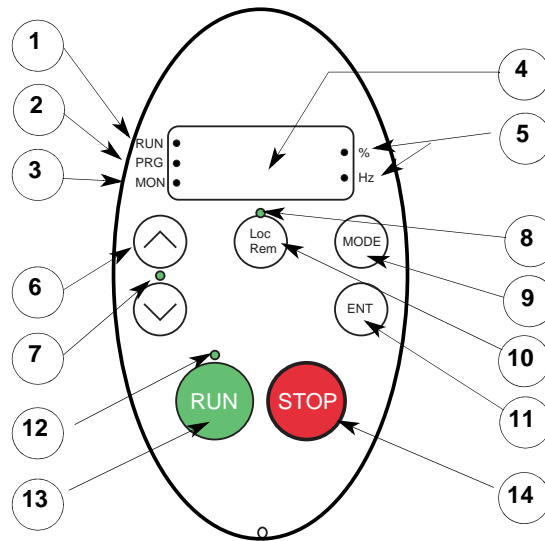
Using ATV21 in single phase supply is only allowed in training mode with motor and without load.

Failure to follow these instructions can result in equipment damage.

Graphic display terminal

This section describes the features of the integrated graphic display terminal display. An optional graphic display terminal (VW3A21101) is also available.

Graphic display terminal features

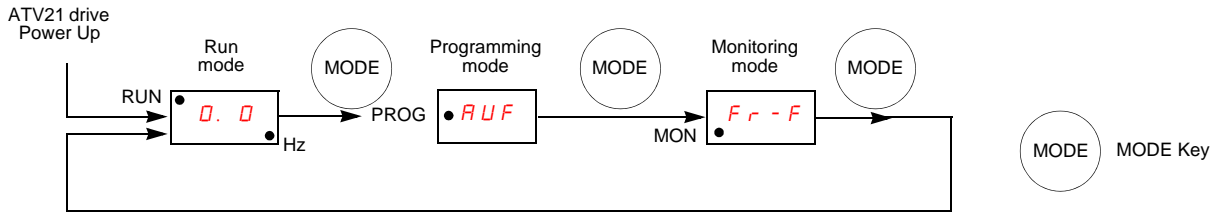


	LED/Key	Characteristics
1	Display RUN LED	<ul style="list-style-type: none"> • Illuminates when a run command is applied to the drive. • Flashes when there is a speed reference present with a Run command.
2	Display PRG LED	<ul style="list-style-type: none"> • Illuminates when Programming mode is active. • Flashes in <i>RUF</i>, <i>GrU</i> modes
3	Display MON LED	<ul style="list-style-type: none"> • Illuminates when Monitoring mode is active. • Flashes in fault history display mode
4	Display unit	4 digits, 7 segments
5	Display unit LED	<ul style="list-style-type: none"> • The % LED illuminates when a displayed numeric value is a percentage. • The Hz LED illuminates when a displayed numeric value is in hertz.
6	UP/DOWN keys	Depending on the mode, you can use the arrows to: <ul style="list-style-type: none"> • Navigate between the menus • Change a value • Change the speed reference when the UP/DOWN LED (7) is illuminated
7	UP/DOWN LED	Illuminates when the navigation arrows are controlling the speed reference
8	Loc/Rem LED	Illuminates when Local mode is selected
9	MODE	Press to select the graphic display terminal mode. <ul style="list-style-type: none"> • Run mode (default on power-up) • Programming mode • Monitoring mode Can also be used to go back to the previous menu.
10	Loc/Rem	Switches between Local and Remote modes
11	ENT	Press to display a parameter's value or to save a changed value.
12	RUN LED	Illuminates when the Run key is enabled
13	RUN	Pressing this key when the RUN LED is illuminated starts the drive.
14	STOP	Stop/reset key. In Local mode, pressing the STOP key causes the drive to stop based on the setting of parameter <i>F 72 1</i> . In Remote mode, pressing the STOP key causes the drive to stop based on the setting of parameter <i>F 60 3</i> . The display will indicate a flashing "E". If <i>F 73 5</i> is set to 0 (default setting), pressing the stop key twice will reset all resettable faults if the fault condition has been resolved.

Graphic display terminal

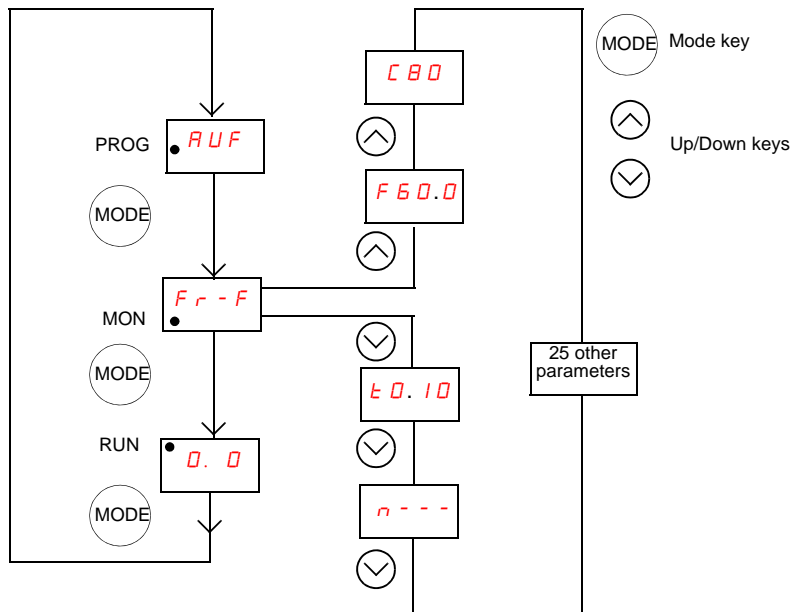
Graphic display terminal modes

The Altivar 21 graphic display terminal has three modes of operation: Monitoring, Run and Programming. The drive powers up in the Run mode. To select a different mode, use the MODE key as illustrated below.



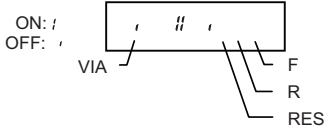

Monitoring Mode

The Monitoring mode displays drive operational data in real time. To access the Monitoring mode, press the MODE key until the MON LED is illuminated. Then use the UP and DOWN keys to view up to 30 different types of data.



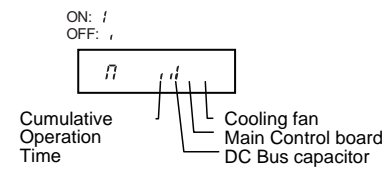
Graphic display terminal

Monitoring Mode Displays

Display	Name	Description
<i>F r - F</i>	Direction of rotation	<i>F r - F</i> = forward direction <i>F r - r</i> = reverse direction
<i>F 60.0</i>	Speed reference	Command frequency to drive, displayed either as Hz or in custom unit set by parameter <i>F 702</i>
<i>C 80</i>	Motor current	The average of the 3 phases of motor current displayed either as amperes or as a percentage of the drive's nameplate-rated output current. Select % or A with parameter <i>F 701</i> .
<i>y 100</i>	Line voltage	The average of the 3 phases of line to line input voltages displayed either in volts or as a percentage of the drive's rated input voltage (200 V for 208/240 V models - 400 V for 480 V models). Select % or volts with parameter <i>F 701</i> .
<i>P 100</i>	Motor voltage	The average of the 3 phases of line to line output voltages displayed either in volts or as a percentage of the drive's rated output voltage (200 V for 208/240 V models - 400 V for 480 V models). Select % or volts with parameter <i>F 701</i> .
<i>q 60</i>	Motor torque	Estimated motor torque as a percentage of the motor's rated torque
<i>c 90</i>	Torque current	The average of the 3 phases of torque-producing motor current displayed either as amperes or as a percentage of the motor's rated torque-producing current. Select % or A with parameter <i>F 701</i> .
<i>L 70</i>	drive load factor	The motor current as a percentage of the drive's rated output current, which may be reduced from the drive's nameplate current rating by adjustments in switching frequency.
<i>h 80</i>	Input power	drive input power displayed in kilowatts (kW)
<i>H 75</i>	Output power	drive output power displayed in kilowatts (kW)
<i>o 60.0</i>	Motor operating frequency	Motor operating frequency, displayed either as Hz or in custom unit set by parameter <i>F 702</i>
<i>. . . 11</i>	Logic input map	 <p>The bar representing VIA is displayed only if <i>F 109</i> = 1 or 2</p>
<i>0. 1</i>	Relay output map	
<i>u 101</i>	CPU 1 version	Version of CPU 1
<i>u c01</i>	CPU 2 version	Version of CPU 2
<i>u E01</i>	Memory version	Version of memory
<i>d 50</i>	PID feedback	Level of PID feedback, displayed either as Hz or in custom unit set by parameter <i>F 702</i>
<i>b 70</i>	PID computed speed reference	Speed reference command to drive as computed by the PID function, displayed either as Hz or in custom unit set by parameter <i>F 702</i>
<i>h 85</i>	Accumulated input power consumption	Accumulated input power consumed by the drive displayed in kWh
<i>H 75</i>	Accumulated output power consumption	Accumulated output power supplied by the drive displayed in kWh
<i>A 16.5</i>	Drive rated output current	Drive nameplate rated output current in amperes
<i>1500</i>	Motor speed	Motor speed in rpm

Graphic display terminal

Monitoring Mode Displays (continued)

Display	Name	Description
<i>n 50</i>	Communication counter	Displays the counter numbers of communication through the network
<i>n 50</i>	Normal state	Displays the counter numbers of communication only at normal state in all communication through the network
<i>OC 3 ⇔ 1</i>	Past fault 1	The most recent fault stored in the fault history. If the drive is in a fault state, this is not the active fault. A fault is stored in the fault history after it is cleared by fault reset action. Press ENT to review drive state at time of fault. See "Fault Display and History" on page 18 and "Faults - Causes - Remedies" on page 118 for more detail.
<i>OH ⇔ 2</i>	Past fault 2	Second most recent fault.
<i>OP 3 ⇔ 3</i>	Past fault 3	Third most recent fault.
<i>n Err ⇔ 4</i>	Past fault 4	Fourth most recent fault.
<i>n . . . 1</i>	Drive service alarm	 <p>ON: OFF: ,</p> <p>Cumulative Operation Time</p> <p>Cooling fan Main Control board DC Bus capacitor</p>
<i>t 0. 10</i>	Drive run time	Cumulative drive run time. 0.01 = 1 hour. 1.00 = 100 hours

Graphic display terminal

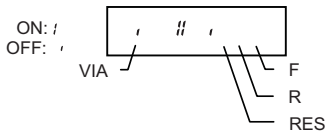
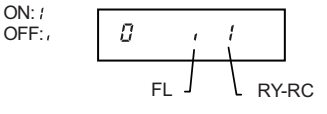
Fault Display and History

When the drive faults, the graphic terminal displays a fault code. To review data about drive operation at the time of the fault, press the MODE key to enter the Monitoring mode. Then use the Up/Down keys to scroll through the data listed in table page 16.

Up to five faults can be displayed on the graphic terminal in Monitoring mode: the present fault (if the drive is in a fault state) and the previous four faults. To review drive operation data recorded at the time of fault for a previous fault, press ENT when the code for the fault is displayed. See table below for the available information.

When a fault is reset or power is cycled to the drive, the present fault becomes Past Fault 1.

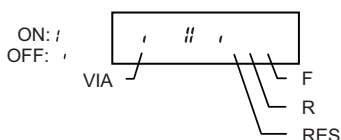
Fault History

Display	Name	Description
n 2	Fault counter	Number of times in succession that this particular fault has occurred
o 60.0	Motor operating frequency	Motor operating frequency, displayed either as Hz or in custom unit set by parameter F 702
F r - F	Direction of rotation	F r - F = forward direction F r - r = reverse direction
F 60.0	Speed reference	Command frequency to drive, displayed either as Hz or in custom unit set by parameter F 702
C 80	Motor current	The average of the 3 phases of motor current displayed either as A or as a percentage of the drive's nameplate-rated output current. Select % or A with parameter F 701.
y 100	Line voltage	The average of the 3 phases of line to line input voltages displayed either in volts or as a percentage of the drive's rated input voltage (200 V for 208/240 V models - 400 V for 480V models). Select % or volts with parameter F 701.
P 100	Motor voltage	The average of the 3 phases of line to line output voltages displayed either in volts or as a percentage of the drive's rated output voltage (200 V for 208/240 V models - 400 V for 480 V models). Select % or volts with parameter F 701.
. . . 11	Logic input map	 <p>The bar representing VIA is displayed only if F 109 = 1 or 2</p>
0. 1	Relay output map	
t 0. 10	Drive run time	Cumulative drive run time. 0.01 = 1 hour. 1.00 = 100 hours

I/O Map

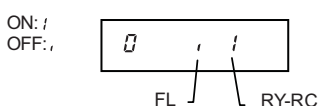
In both the monitoring mode and the fault history, it is possible to view the state of the logic inputs and the relay outputs. See previous tables on pages 16 and 18.

Logic Input Map



The ON or OFF status of each logic input is displayed in bits. VIA is included in this display if parameter F 109 is set to either 1 or 2.

Relay Output Map



The ON or OFF status of each relay output is displayed in bits.

Graphic display terminal

Run Mode

To access the Run mode, press the MODE key until the drive operating frequency, a fault code, or a pre-alarm code is displayed. See [Faults - Causes - Remedies](#) beginning on page [118](#) for the fault and pre-alarm codes.

Changing the Display in Run Mode

Motor operating frequency is the default value displayed on the graphic terminal in Run mode. This displayed value can be changed by setting parameter [Default graphic display terminal Operational Value F 7 1 0](#). See page [94](#) for a list of the display choices.

The displayed value can be expressed as a percentage of the drive rating, or in amperes or volts, as appropriate for the value displayed. The units can be changed by setting parameter [Graphic display terminal \(% or A/V Units\) F 7 0 1](#) (see page [94](#)).

In addition, the resolution of the speed reference and output frequency displays can be adjusted by setting parameters [Local Mode Speed Reference Step Changes F 7 0 7](#) and [Graphic display terminal Frequency Resolution F 7 0 8](#) (see pages [55](#) and [94](#)).

Programming Mode

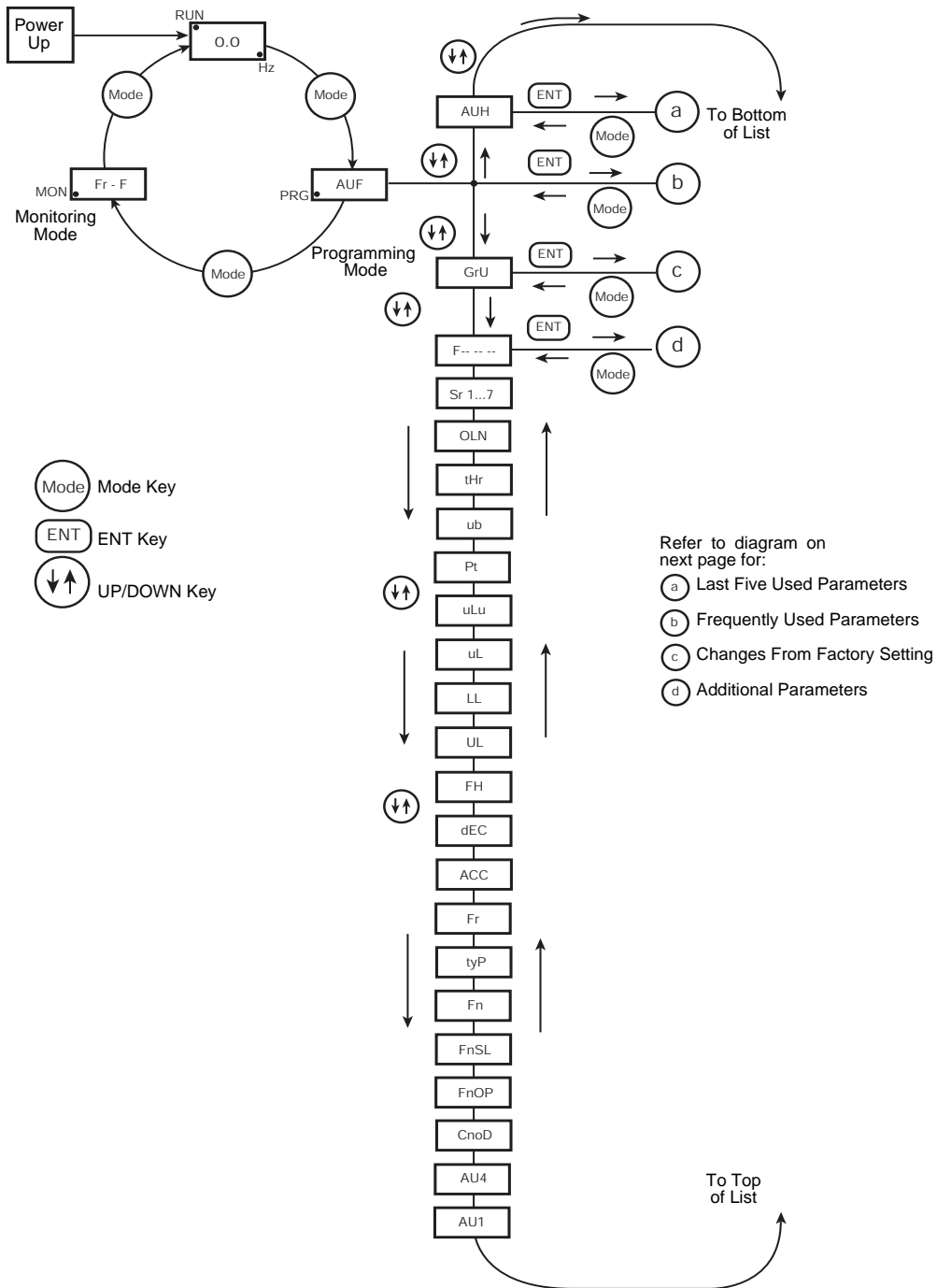
Use this mode to program the drive.

To access the Programming mode, use the MODE key until the PRG indicator LED on the display is illuminated.

Menu Structure

Menu Navigation

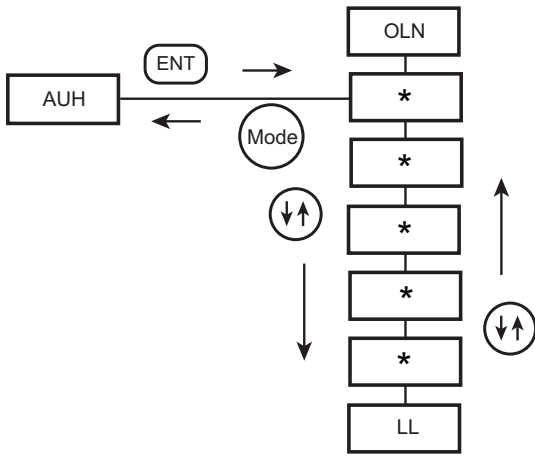
Menu navigation diagrams below and page 21 illustrate how to navigate through the programming menus and submenus.



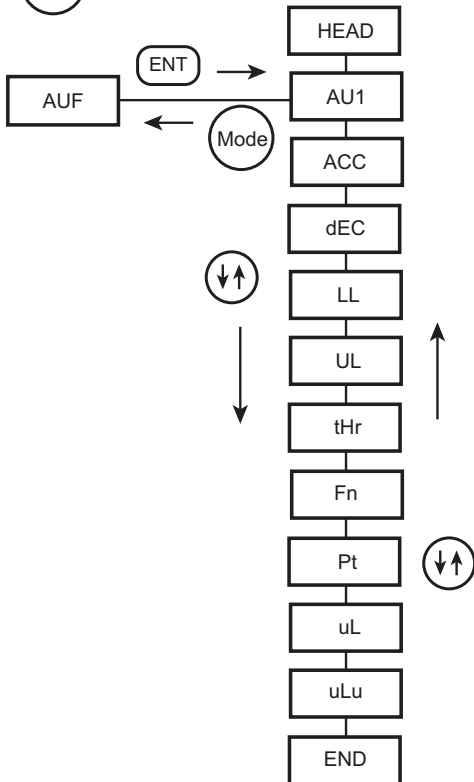
Menu Structure

Menu Navigation (continued)

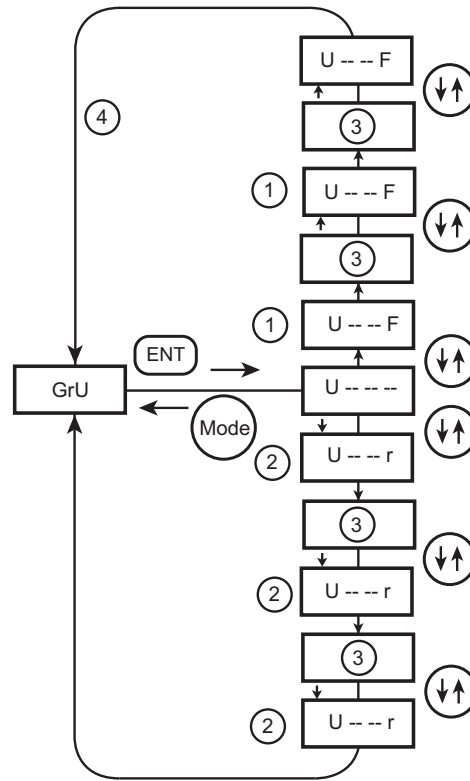
a History parameters



b Quick menu

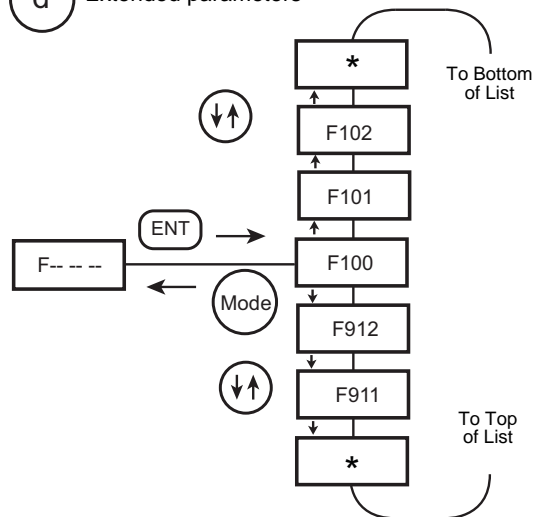


c User parameters



1. Pressing the UP key searches the parameter list starting with the first one changed.
2. Pressing the DOWN key searches the parameter list starting with the last one changed.
3. The number of parameters displayed within the **GrU** menu depends upon how many have been altered from their factory settings.
4. When all the changed parameters have been displayed, the display returns to **GrU**.

d Extended parameters



Menu Structure

Submenus

The ATV21 drive features 4 submenus (see diagram on page 21) that are designed to reduce the time and effort required to program application parameters. Parameters can be modified within these submenus.

AUH: History Parameters

The **AUH** submenu displays, in reverse chronological order, the last 5 parameters that have been changed from their factory settings. Each time the **AUH** submenu is accessed, it searches for the latest parameters changed from their factory settings. If all parameters are at their factory settings, no display is generated.

Parameter Lock **F700** is not displayed in the **AUH** menu, even if its value has been changed (see page 43).

AUF: Quick Menu

The **AUF** submenu provides ready access to the ten basic parameters commonly used in programming the drive. In many cases, programming the ATV21 drive is complete when these 10 parameters have been properly set (see chapter Quick Menu page 37).

GRU: User Parameters

The **GRU** submenu displays all parameters that have been changed from their factory settings. Each time the **GRU** submenu is accessed, its content is refreshed with the latest list of parameters changed from their factory settings. If all parameters are at their factory setting, no display is generated.

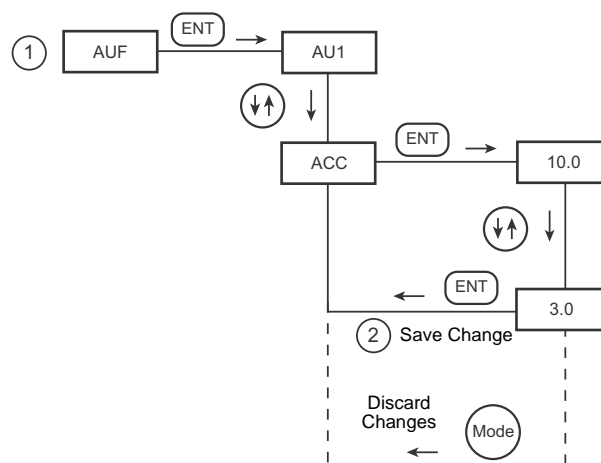
Parameters **F_n** and **F470 – F473** are not displayed in the **GRU** menu, even if their values have been changed.

F----: Extended Parameters

The extended parameter submenu provides access to parameters used for special settings and applications.

Accessing and Changing Parameters

The diagram below illustrates how to access and change parameter values.



Menu Structure

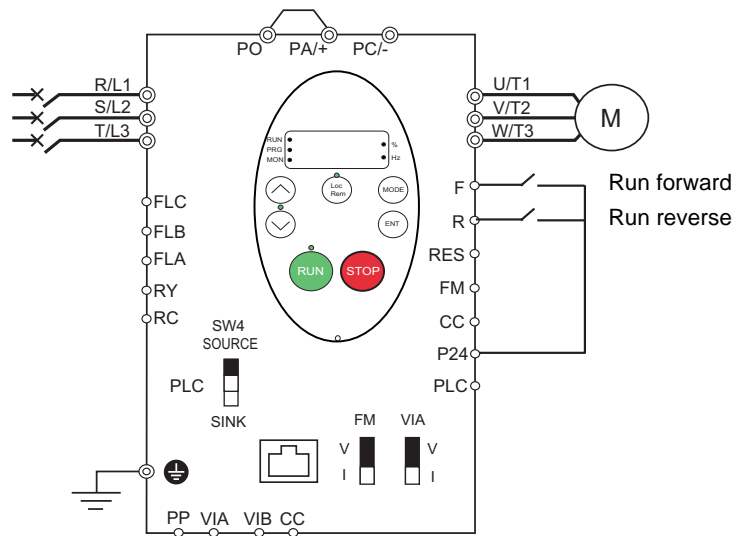
Parameters that cannot be changed while the drive is running

The table below lists the parameters that cannot be changed unless the drive is stopped (displaying 0.0 or OFF on the graphic display terminal).

Parameter	Description	Parameter	Description
<i>F U 1</i>	Auto ramp adaptation	<i>F 3 1 6</i>	Switching frequency control mode
<i>F U 4</i>	Macro programming	<i>F 4 0 0</i>	Auto tuning enable
<i>C N 0 d</i>	Remote mode start/stop control source	<i>F 4 1 5</i>	Motor rated full load current
<i>F N 0 d</i>	Remote mode primary speed reference source	<i>F 4 1 6</i>	Motor no-load current
<i>t y P</i>	Parameter reset	<i>F 4 1 7</i>	Motor rated speed
<i>F H</i>	Maximum frequency	<i>F 4 1 8</i>	Frequency loop gain
<i>u L</i>	Motor rated frequency	<i>F 4 1 9</i>	Frequency loop stability
<i>u L u</i>	Motor rated voltage	<i>F 4 8 0</i>	Magnetizing current coefficient
<i>P t</i>	Motor control mode	<i>F 4 8 1</i>	Line noise compensation filter
<i>F 1 0 8</i>	Always active logic function 1	<i>F 4 8 2</i>	Line noise inhibitor filter
<i>F 1 0 9</i>	VIA input function (analog or logic selection)	<i>F 4 8 3</i>	Line noise inhibitor gain
<i>F 1 1 0</i>	Always active logic function 2	<i>F 4 8 4</i>	Power supply adjustment gain
<i>F 1 1 1</i>	F logic input function	<i>F 4 8 5</i>	Stall prevention control coefficient 1
<i>F 1 1 2</i>	R logic input function	<i>F 4 9 2</i>	Stall prevention control coefficient 2
<i>F 1 1 3</i>	RES logic input function	<i>F 4 9 4</i>	Motor adjustment coefficient
<i>F 1 1 8</i>	VIA logic input function	<i>F 4 9 5</i>	Maximum voltage adjustment coefficient
<i>F 1 3 0</i>	RY-RC relay primary function	<i>F 4 9 6</i>	Waveform switching adjustment coefficient
<i>F 1 3 2</i>	FL relay function	<i>F 6 0 1</i>	Motor current limit
<i>F 1 3 7</i>	RY-RC relay secondary function	<i>F 6 0 3</i>	External fault stop mode
<i>F 1 3 9</i>	RY-RC relay function logic selection	<i>F 6 0 5</i>	Output phase failure detection mode
<i>F 1 7 0</i>	Motor 2 rated frequency	<i>F 6 0 8</i>	Input phase failure detection mode
<i>F 1 7 1</i>	Motor 2 rated voltage	<i>F 6 1 3</i>	Output short-circuit detection mode
<i>F 3 0 0</i>	Switching frequency level	<i>F 6 2 6</i>	Overvoltage fault operation level
<i>F 3 0 1</i>	Catch on the fly	<i>F 6 2 7</i>	Undervoltage fault operation mode
<i>F 3 0 3</i>	Auto fault reset	<i>F 7 3 2</i>	Disabling of graphic display terminal local/remote key
<i>F 3 0 2</i>	Coast to stop on loss of input power	<i>F 9 1 0</i>	Permanent magnet motor step-out detection current level
<i>F 3 0 5</i>	Overvoltage fault protection	<i>F 9 1 1</i>	Permanent magnet motor step-out detection time
<i>F 3 0 7</i>	Supply voltage correction and motor voltage limitation	<i>F 9 1 2</i>	Permanent magnet motor high-speed torque adjustment coefficient
<i>F 3 1 1</i>	Motor rotation direction command		

Common control schemes

2-wire control



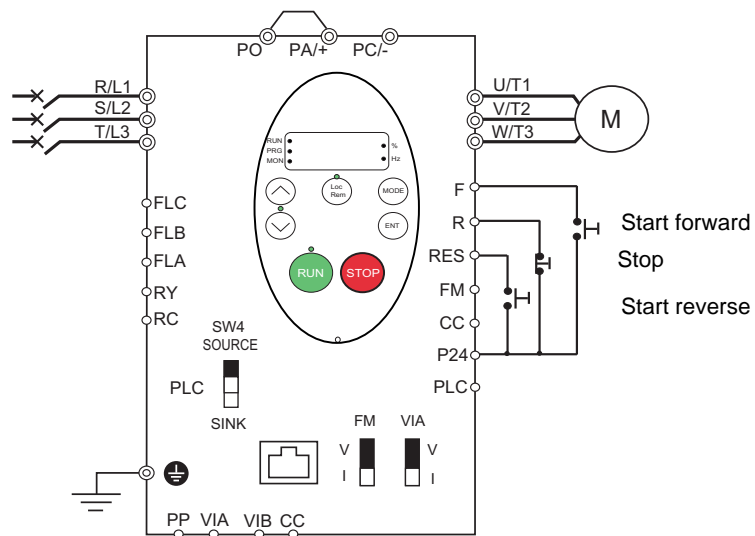
1. Wire the logic inputs as indicated in the above figure.
2. Set switch SW4 to source.
3. Program common parameters of ATV21 (see Quick Start page 37).
4. Program specific parameters for 2-wire control as indicated in the following table:

Parameter	Page	Setting	Factory value
C P 0 d (remote mode start/stop control)	54	0 (control terminal logic inputs)	0
F 1 1 1 (F logic input function)	80	2 (forward run command)	2
F 1 1 2 (R logic input function)	80	3 (reverse run command)	6

Note: F111 and F112 must not be switched simultaneously or the drive will go at 0 speed.

Common control schemes

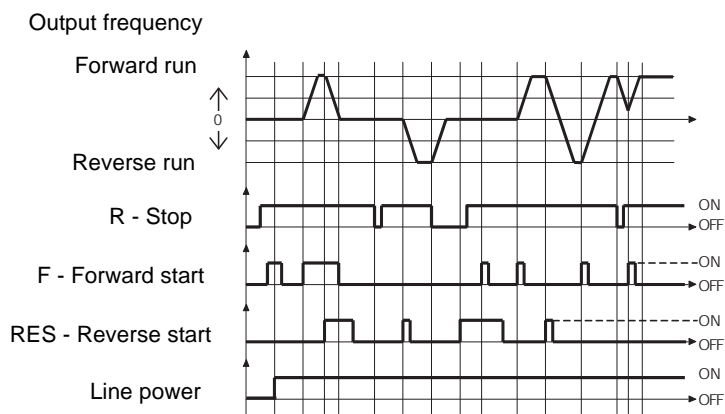
3-wire control



1. Wire the logic inputs as indicated in the above figure.
2. Set switch SW4 to source.
3. Program common parameters of ATV21 (see Quick Start page 37).
4. Program specific parameters for 3-wire control as indicated in the following table:

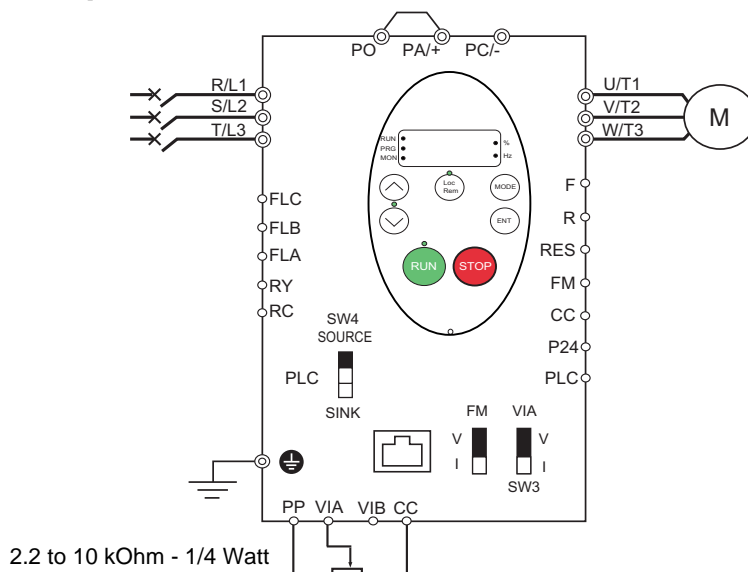
Parameter	Page	Setting	Factory value
C N 0 d (remote mode start/stop control)	54	0 (control terminal logic inputs)	0
F I I 1 (F logic input function)	80	2 (start forward - 3 wire control)	2
F I I 2 (R logic input function)	80	49 (stop input - 3 wire control)	6
F I I 3 (RES logic input function)	80	3 (start reverse - 3 wire control)	10

3 wire control timing diagram:



Common control schemes

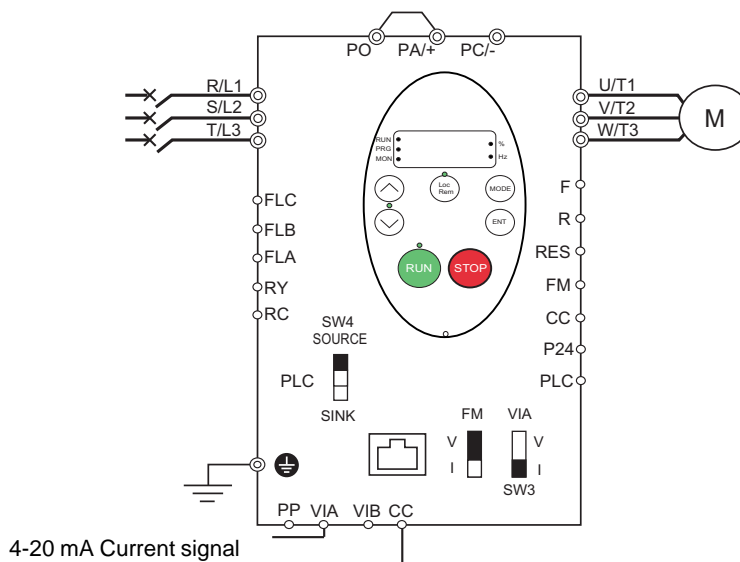
External speed control potentiometer



1. Wire the analog input as indicated in the above figure.
2. Set switch SW3 to V (voltage).
3. Program common parameters of ATV21 (see Quick Start page 37).
4. Program specific parameters for external speed control potentiometer as indicated in the following table:

Parameter	Page	Setting	Factory value
F 104 (remote mode primary speed reference source)	54	1 (VIA)	1
F 109 (VIA input function - analog or logic selection)	80	0 (Analog input)	0
F 200 (auto/manual speed reference switching)	83	0 (Enabled)	0

4-20 mA speed control

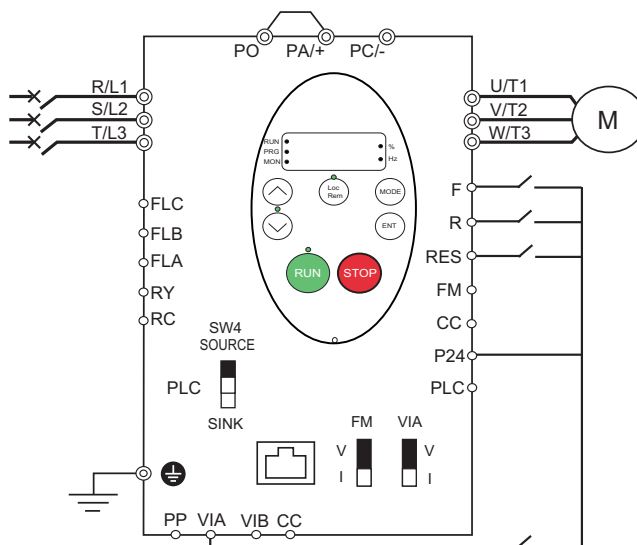


1. Wire the analog input as indicated in the above figure.
2. Set switch SW3 to I (current).
3. Program common parameters of ATV21 (see Quick Start page 37).
4. Program specific parameters for 4-20 mA speed control as indicated in the following table:

Parameter	Page	Setting	Factory value
F 104 (remote mode primary speed reference source)	54	1 (VIA)	1
F 109 (VIA input function - analog or logic selection)	80	0 (Analog input)	0
F 200 (auto/manual speed reference switching)	83	0 (Enabled)	0
F 201 (VIA speed reference level 1)	81	20 %	0 %

Common control schemes

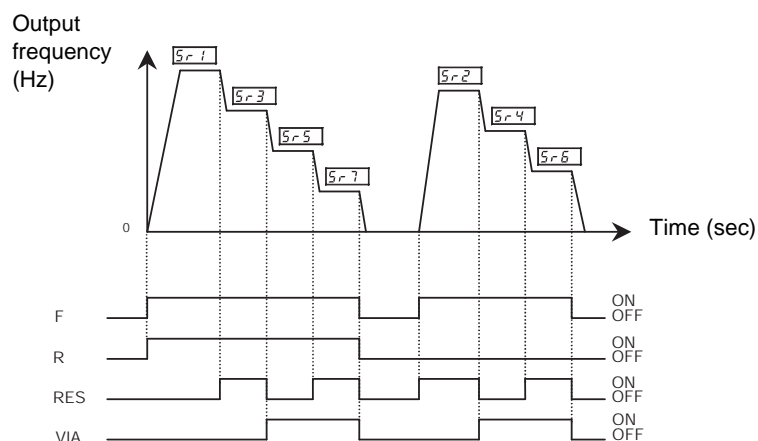
Preset speeds (up to seven)



1. Wire the logic and analog inputs as indicated in the above figure.
2. Set switch SW4 to source.
3. Program common parameters of ATV21 (see Quick Start page 37).
4. Program specific parameters for preset speed as indicated in the following table:

Parameter	Page	Setting	Factory value
F 109 (VIA input function - analog or logic selection)	80	2 (logic input - source)	0
F 111 (F logic input function)	80	2 (forward run command)	2
F 112 (R logic input function)	80	6 (preset speed command input 1)	6
F 113 (RES logic input function)	80	7 (preset speed command input 2)	10
F 118 (VIA logic input function)	80	8 (preset speed command input 3)	7

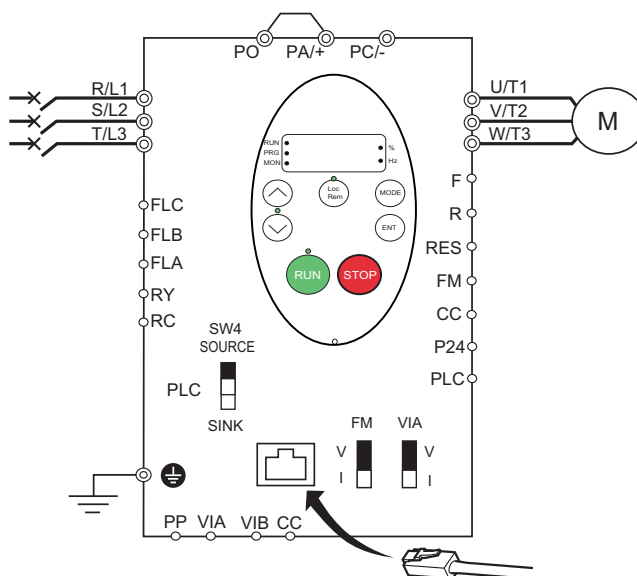
Example of 7-step preset speed operation:



See page [90](#) for additional information.

Common control schemes

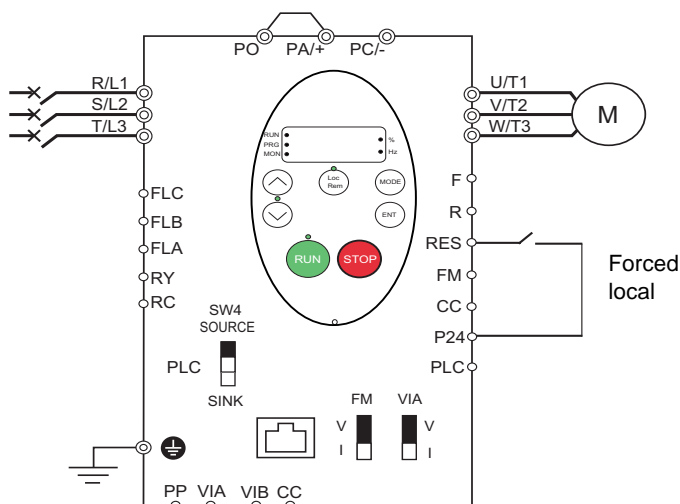
Serial communication



1. For Modbus serial communication, plug the network cable into RJ45 connector on the main control board.
2. Program common parameters of ATV21 (see Quick Start page 37).
3. Program specific parameters for serial communication as indicated in the following table:

Parameter	Page	Setting	Factory value
C N O d (remote mode start/stop control)	54	2 (serial communication)	0
F N O d (remote mode primary speed reference source)	54	4 (serial communication)	1

Forced local

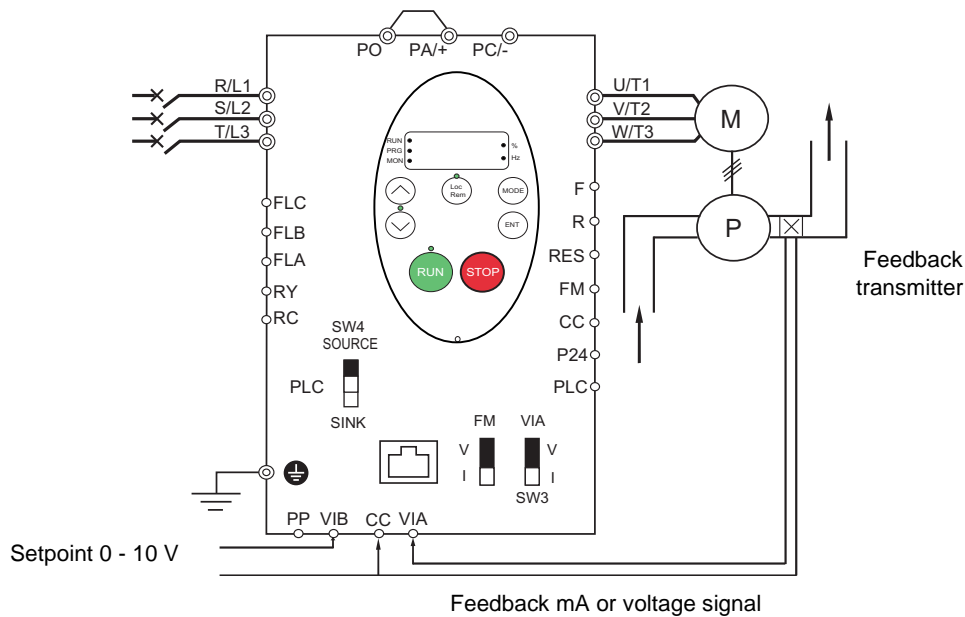


1. Wire the logic input as indicated in the above figure.
2. Set switch SW4 to source.
3. Program common parameters of ATV21 (see Quick Start page 37).
4. Program specific parameter for forced local as indicated in the following table:

Parameter	Page	Setting	Factory value
F I I 3 (RES logic input function)	80	48 (forced local)	10

Common control schemes

PID control



1. Wire analog inputs as indicated in the above figure.
2. Set switch SW4 to source.
3. If the feedback is a milliamp signal, set switch SW3 to the I (current) position. If the feedback is a voltage signal, set switch SW3 to the V (voltage) position.
4. Program common parameters of ATV21 (see Quick Start page 37).
5. Program specific parameters for PID control as indicated in the following table:

Parameter	Page	Setting	Factory value
F 10 d (remote mode primary speed reference source)	54	2 (VIB)	1
F 109 (VIA input function - analog or logic selection)	80	0 (Analog input)	0
F 200 (auto/manual speed reference switching)	83	0 (Enabled)	0
F 360 (PID control enable)	86	1 (Enabled - feedback source is VIA)	0
F 359 (PID control waiting time)	87	In accordance with the application	0 s
F 362 (PID proportionnal gain)	86		0.30 %
F 363 (PID integral gain)	86		0.20
F 366 (PID derivative gain)	87		0.00
F 380 (PI regulator reversal direction correction)	87		0
F 391 (Stop on LL hysteresis)	87		0.2 Hz
F 392 (PI wake up threshold on PI error)	87		0.0 Hz
F 393 (PI wake up threshold on PI feedback error)	87		0.0 Hz

Drive Operation

Local and Remote Modes of Operation

Overview

The ATV21 drive has two modes of operation, local and remote.

In local mode, the ATV21 drive can be operated only from the graphic display terminal:

- Use the RUN and STOP keys for command control
- Use the UP and DOWN keys for speed control

In remote mode, the ATV21 drive is operated from a combination of the command and speed reference sources defined by programming parameters **Remote Mode Primary Speed Reference Source** *F n d* and **Remote Mode Start/Stop Control** *C n d* (see page 54).

Command Sources

The command source (*C n d*) choices are:

- External signals to the control terminal logic inputs F, R, RES and VIA
- Serial communication control (Modbus[®], Metasys[®] N2, Apogee[®] FLN, BACnet, or LonWorks[®])
- Graphic display terminal RUN and STOP keys

Speed Reference Sources

The speed reference source (*F n d*) choices are:

- External signals to the control terminal analog inputs VIA or VIB
- (4–20 mA, 0–10 Vdc),
- External signals to the control terminal logic inputs assigned to
- +/- Speed
- Serial communication control (Modbus[®], Metasys[®] N2, Apogee[®] FLN, BACnet, or LonWorks[®])
- graphic display terminal UP and DOWN keys

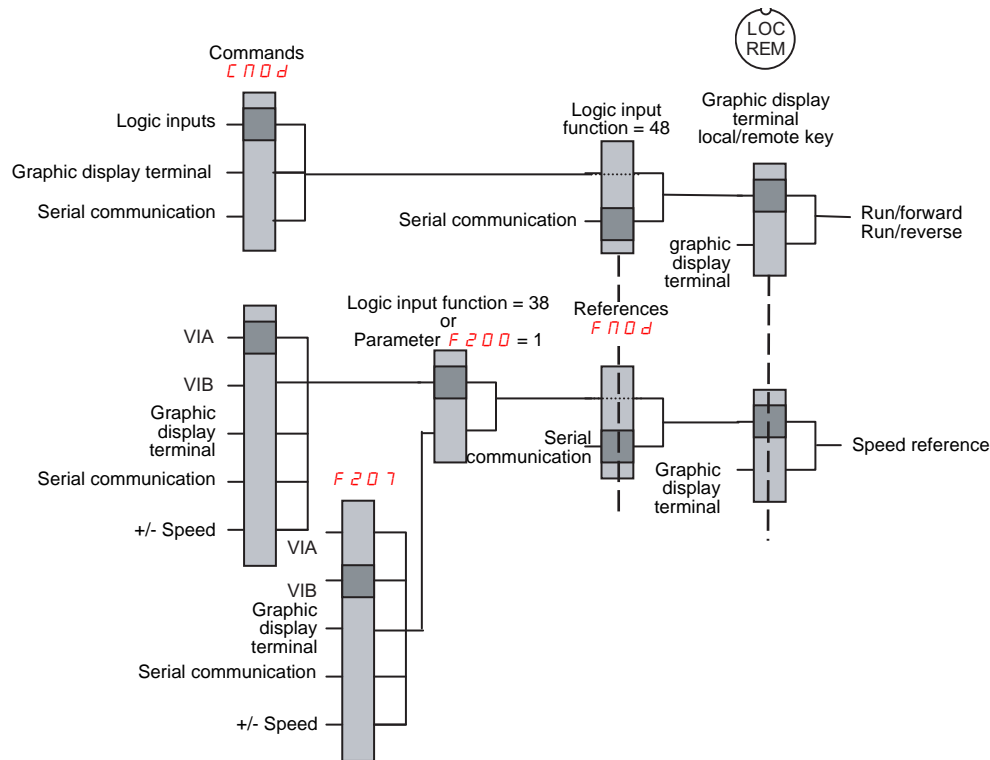
Changes to parameters *F n d* and *C n d* can only be made when the drive is stopped.

Drive Operation

Command Mode Selection and Priorities

The diagram below illustrates the control inputs and selection logic which determine the source of the drive's start/stop and speed reference commands.

Command and Reference Switching



Parameters *CNOd* and *FNOd* are the first layers of logic used by the drive to determine its command (*CNOd*) and speed reference (*FNOd*) source.

Remote Mode Secondary Speed Reference Source *F207* is a secondary speed reference source that may override the source selected by *FNOd* (see page 56).

The speed reference source identified by *F207* takes control if either:

- A logic input assigned to function 38 (frequency reference source switching) is enabled, or
- Parameter Auto/Manual Speed Reference Switching *F200* is set to 1 and the drive's output frequency is equal to or less than 1 Hz (see page 83).

If a serial communication link is established, it can take control of the ATV21 drive, overriding inputs identified by *CNOd*, *FNOd*, and *F207*. Control is restored to *CNOd*, *FNOd*, and *F207* only if:

- The serial communication link relinquishes control, or
- A logic input assigned to function 48 (forced local) is enabled.

The final layer of logic used by the drive to determine its command source is the LOC/REM key on the graphic display terminal.

When the drive is set to local mode (by pressing the LOC/REM key, lighting the local mode LED), the drive responds only to commands from the graphic display terminal.

Drive Operation

Selecting Local or Remote Mode



UNINTENDED EQUIPMENT OPERATION

- Know the state of the frequency and run commands from the remote source before exiting the local mode.
- Upon entering the remote mode, the drive will respond to the most recent command from the remote source, even if it was received before entering or while in the local mode.

Failure to follow these instructions will result in death or serious injury

Switching between local and remote mode is achieved with the LOC/REM key in the drive's graphic display terminal.

The LOC/REM key can be disabled by setting parameter [Disabling of graphic display terminal Local/Remote Key F 732](#) to 1 (see page 58).

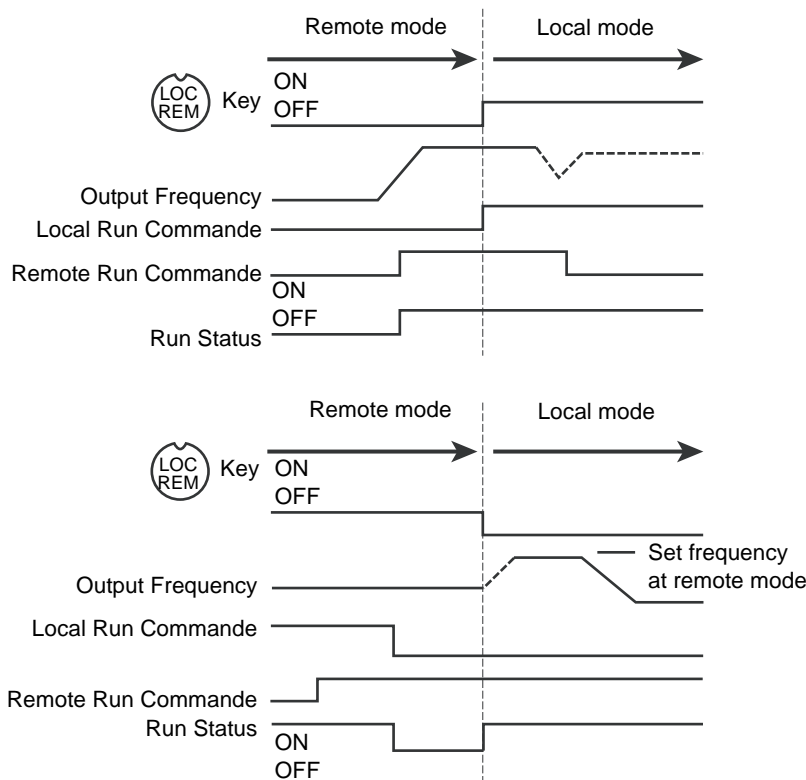
When parameter [Bumpless Transfer From Remote To Local Control F 295](#) is set to 1 (factory setting), a bumpless transfer of motor operation is achieved when switching from remote to local mode (see page 55).

For example, if the bumpless transfer feature is active and if the motor is running at full speed with the drive in remote mode, the motor will still run at full speed after the drive is transferred to local mode.

Conversely, when switching from local to remote mode, the run and speed command is not transferred to the remote mode. Upon entering the remote mode, the drive will operate on the run and speed command set by the remote source even if it was received before entering or while in the local mode.

The diagram below is an example timing diagram.

Switching Between Local and Remote Mode



The remote run command and frequency command are transferred to the local mode when the LOC/REM key is pressed.

In this example, the run command and frequency command from the remote mode are copied to the local mode, and the motor continues to run.

When switching from the local mode to the remote mode, the run command and frequency command are determined by the setting in the remote mode.

In this example, when the LOC/REM button is pressed, the motor is started. This is due to the application of a remote run command when the drive exits the local mode and enters the remote mode.

Drive Operation

Local Mode

When the ATV21 drive is in local mode, the LED above the LOC/REM key is illuminated.

Starting and Stopping the Motor in Local Mode

Start and stop the motor with the RUN and STOP keys on the graphic display terminal.

The setting of parameter [Local Mode Motor Stop Type F 7 2 1](#) determines how the motor stops when the drive is in local mode (see page 55):

- If [F 7 2 1](#) is set to 0 (factory setting), the motor will stop on a ramp, based on the time value set in parameter [d E C](#) (deceleration time 1) or parameter [F 5 0 1](#) (deceleration time 2).
- If [F 7 2 1](#) is set to 1, power will be removed from the motor when the STOP key is pressed, allowing the motor to coast to a stop with the ramp-down time determined by inertia and friction.

Use of the RUN and STOP keys in local mode can be disabled using parameter [Disabling of graphic display terminal RUN and STOP Keys in Local Mode F 7 3 3](#) (see page 58).

Adjusting Motor Speed in Local Mode

Set the motor speed using the UP and DOWN keys on the graphic display terminal. Motor speed can be adjusted while the drive is operating.

Normally, motor frequency changes by 0.1 Hz each time the UP or DOWN key is pressed. This rate of speed change can be altered by entering a new frequency step change into parameter [Local Mode Speed Reference Step Changes F 7 0 7](#) (see page 55).

If the ENT key is pressed after the motor speed has been adjusted, that speed setpoint value will be entered into parameter [F C](#). The next time the drive is started in the local mode, it will accelerate the motor directly to the speed setpoint memorized by [Local Mode Speed Reference F C](#) (see page 54).

Selecting Motor Rotation Direction in Local Mode

Motor rotation direction is set by parameter [Local Mode Motor Rotation Direction Command F r](#) (see page 54). The four selections are:

- 0: Forward only (factory setting)
- 1: Reverse only
- 2: Forward, with reverse selectable from the graphic display terminal (1)
- 3: Reverse, with forward selectable from the graphic display terminal (1)

(1) If [F r](#) is set to either 2 or 3, motor rotation can be set to forward by pressing the UP key while holding the ENT key. Reverse can be set by pressing the DOWN key while holding the ENT key.

Motor rotation is indicated on the graphic display terminal as [F r - F](#) for forward and as [F r - r](#) for reverse.

The ability to run in the Forward or Reverse direction can be set with parameter [Motor Rotation Direction Command F 3 1 1](#) (see page 57).

Resetting drive Faults in Local Mode

It is not possible to clear a drive fault if the cause of the fault persists. Be sure to diagnose and rectify the cause of the fault before attempting a drive reset.

With the STOP Key

To clear a drive fault in local mode:

1. Press the STOP key. See [Automatically Resettable Faults on page 97](#) for a list of faults that can be reset with the STOP key. If it is possible to reset the drive, the graphic display terminal will display [C L r](#).
2. To clear the fault, press the STOP key a second time.
3. If the cause of the fault is still present, the [C L r](#) display will not appear. Diagnose and solve the problem before attempting to reset the drive.

Use of the STOP key as a fault reset can be set with parameter [Disabling of graphic display terminal Fault Reset Function F 7 3 5](#) (see page 58).

In the event of an [O L 1](#) or [O L 2](#) fault, the following time periods must pass before a fault reset is possible:

- [O L 1](#) (drive overload)—about 30 seconds after the occurrence of the fault
- [O L 2](#) (motor overload)—about 120 seconds after the occurrence of

the fault

By Cycling Line Power

A drive fault can also be reset by removing and restoring line power. Ensure that the cause of the fault is no longer present and leave power removed long enough for all of the LEDs on the face of the drive to extinguish.

Cycling power to clear a fault can cause the fault history to be lost. Refer to parameter [F 6 0 2](#) on page 100 for [Drive Fault Memory](#) options.

Drive Operation

Logic Input Functions Active in Local Mode

The logic input functions listed in the table below are active, even if **CND** is set to 1 (graphic display terminal control). See table on page 67 for logic input function settings.

Logic Input Function No.	Description
1	Run permissive
54	
10	Fault reset
55	
11	External Fault
45	
16	Combination of run permissive and fault reset
38	Frequency reference source switching
41	+/- Speed
42	
43	
44	
46	External overheating fault input
47	
51	Clear accumulated power consumption display
52	Fire-mode drive operation
53	Forced-mode drive operation
62	Holding of RY-RC relay output
64	Cancellation of last graphic display terminal command

Remote Mode

When the ATV21 drive is in the remote mode, the LOC/REM LED is off.

Starting and Stopping the Motor in Remote Mode

The diagram on page 31 illustrates the start/stop command source when the drive is in remote mode.

With Logic Input Terminals

Use the logic input terminals F, R, RES, or VIA to start the drive if:

- Parameter **CND** is set to 0 (factory setting), and
- Serial communication control has not been established.

With the graphic display terminal

The drive responds to commands from the graphic display terminal, just as in local mode, if:

- Parameter **CND** is set to 1, and
- Serial communication control has not been established.

With Serial Communication

The drive responds to commands sent over the serial communication link (Modbus[®], Metasys[®] N2, Apogee[®] FLN, BACnet or LonWorks[®]) if parameter **CND** is set to 2.

With the graphic display terminal STOP Key

The graphic display terminal STOP key is active when the drive is in remote mode. Pressing the STOP key causes the drive to stop according to the setting of parameters **F603**, **F604**, and **F251** (see page 93 and page 66). After the drive has come to a stop, the graphic display terminal displays **E** and the fault relay is activated.

Drive Operation

Adjusting the Motor Speed in Remote Mode

The diagram on page [31](#) illustrates the speed reference source when the drive is in remote mode.

By Analog Input VIA

A 0–10 Vdc or 4–20 mA signal connected to VIA and CC can be used to adjust the motor speed if:

- Parameter **F 7 0 d** is set to 1 (factory setting).
- Alternate speed reference source parameter **Remote Mode Secondary Speed Reference Source F 2 0 7** has not been enabled (see page [56](#)).
- Serial communication control has not been established.

The analog signal type depends on the setting of switch SW3 and parameters **F 1 0 9**, **F 2 0 1–F 2 0 4**, and **F 4 7 0–F 4 7 1**.

By Analog Input VIB

A 0–10 Vdc signal connected to VIB and CC can be used to adjust the motor speed if:

- Parameter **F 7 0 d** is set to 2.
- Alternate speed reference source parameter **F 2 0 7** has not been enabled.
- Serial communication control has not been established.

The control that VIB has over motor speed depends on the setting of parameters **F 2 1 0–F 2 1 3**, **F 4 7 2–F 4 7 3**, and **F 6 4 5**.

By graphic display terminal Control

graphic display terminal control of the motor speed is enabled, if:

- Parameter **F 7 0 d** is set to 3.
- Alternate speed reference source parameter **F 2 0 7** has not been enabled.
- Serial communication control has not been established.

By Serial Communication Control

Serial communication control (Modbus, Metasys N2, Apogee FLN, BACnet or LonWorks) of the motor speed is enabled, if:

- Parameter **F 7 0 d** is set to 4.
- Alternate speed reference source parameter **F 2 0 7** has not been enabled.

By +/- Motor Speed Control

+/- Motor speed control is enabled, if:

- Parameter **F 7 0 d** is set to 5.
- Alternate speed reference source parameter **F 2 0 7** has not been enabled.
- Serial communication control has not been established.

Selecting Motor Rotation Direction in Remote Mode

The diagram on page [31](#) illustrates the motor rotation command source when the drive is in remote mode.

With Logic Input Terminals

Use the logic input terminals F, R, RES, or VIA to select motor rotation direction if:

- Parameter **C 7 0 d** is set to 0 (factory setting).
- Serial communication control has not been established .

With the graphic display terminal

Motor rotation direction can be set by pressing the graphic display terminal UP and ENT keys if:

- Parameter **C 7 0 d** is set to 1.
- Serial communication control has not been established.
- Parameter **F r** is set to either 2 or 3.

With Serial Communication

The drive responds to commands sent over the serial communication link (Modbus, Metasys N2, Apogee FLN, BACnet or LonWorks) if Parameter **C 7 0 d** is set to 2.

Drive Operation

Resetting drive Faults in Remote Mode

The diagram on page [31](#) illustrates the fault reset command source when the drive is in remote mode.

It is not possible to clear a drive fault if the cause of the fault persists. Be sure to diagnose and rectify the cause of the fault before attempting to reset the drive.

See Automatically Resettable Faults on page [97](#) for a list of faults that can be reset in remote mode.

With the Logic Input Terminals

Use the logic input terminals F, R, RES, or VIA to reset a drive fault if:

- Parameter `C P 0 d` is set to 0 (factory setting), and
- Serial communication control has not been established.

With the graphic display terminal

The STOP key can be used to clear a drive fault if:

- Parameter `C P 0 d` is set to 1, and
- Serial communication control has not been established.

To clear a drive fault in graphic display terminal mode, press the STOP key. If it is possible to reset the drive, the graphic display terminal will display `C L r`. To clear the fault, press the STOP key a second time.

If the cause of the fault is still present, the `C L r` display will not appear. Diagnose and solve the problem before attempting to reset the drive.

The use of the STOP key as a fault reset can be disabled by setting parameter `F 7 3 5` to 1.

With Serial Communication

A drive fault can be reset over the serial communication link (Modbus, Metasys N2, Apogee FLN, BACnet or LonWorks) if parameter `C P 0 d` is set to 2.

In the event of an `OL 1` or `OL 2` fault, the following time periods must pass before a fault reset is possible:

- `OL 1` (drive overload) - about 30 seconds after the occurrence of the fault.
- `OL 2` (motor overload) - about 120 seconds after the occurrence of the fault.

By Cycling Line Power

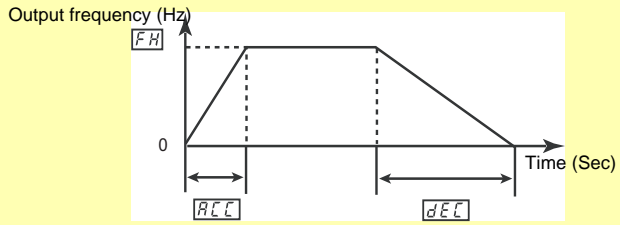
A drive fault can also be reset by removing and restoring line power. Ensure that the cause of the fault is no longer present and leave power removed long enough for all of the LEDs on the face of the drive to go out.

Cycling power to clear a fault can cause the fault history to be lost. Refer to parameter `F 5 0 2` on page [100](#) for drive fault memory options.

Quick Start

Quick menu *AUF*

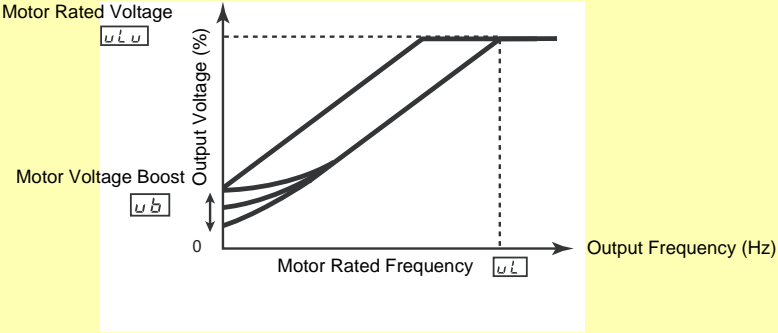
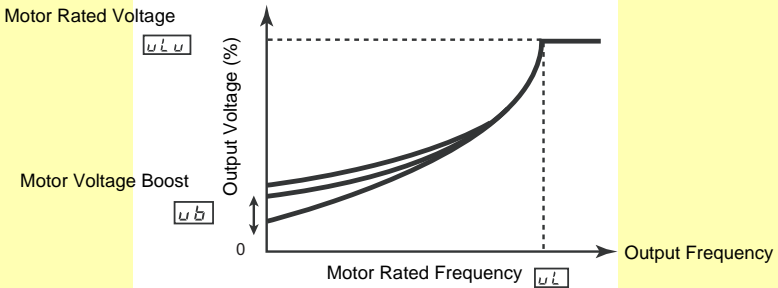
The *AUF* submenu provides ready access to the ten basic parameters commonly used in programming the drive. In many cases, programming the ATV21 drive is complete when these 10 parameters and motor parameters have been properly set.

Code	Name/Description	Adjustment range	Factory setting
<i>AU1</i> 0 1 2	<input type="checkbox"/> Auto Ramp Adaptation <input type="checkbox"/> Disabled <input type="checkbox"/> Enabled - Acceleration Time 1 <i>ACC</i> and Deceleration Time 1 <i>DEC</i> (see page 60) <input type="checkbox"/> Enabled (<i>ACC</i> only) <p>If parameter <i>AU1</i> is set to 1 or 2, the drive will monitor its own loading level and optimize the acceleration and deceleration ramps. The acceleration and deceleration (<i>AU1</i> = 1 only) rates will be automatically adjusted between 1/8 to 8 times the settings of <i>ACC</i> and <i>DEC</i>, depending on the drive's current rating and the load level on the motor. <i>ACC</i> and <i>DEC</i> should be appropriately set for an average load in the application. If the load on the motor increases rapidly during ramp up or ramp down, the auto ramp adaptation feature may not prevent the drive from experiencing an overcurrent or overvoltage fault.</p> <p>If the application requires a consistent acceleration and deceleration time, set <i>AU1</i> to 0, and set <i>ACC</i> and <i>DEC</i> manually as needed. The manual acceleration and deceleration times can still be overridden by the Motor Current Limit <i>FBD1</i> (see page 47) and Overvoltage Fault Protection <i>F3D5</i> (see page 101) and Overvoltage Fault Operation Level <i>F626</i> (see page 101) functions.</p>	-	1
<i>ACC</i>	<input type="checkbox"/> Acceleration Time 1 <p>The setting of parameter <i>ACC</i> determines the slope of the acceleration ramp and the time it takes for the output frequency of the drive to increase from 0 Hz to the setting of Maximum Frequency <i>FH</i> (see page 59).</p> <p>If parameter Auto Ramp Adaptation <i>AU1</i> (see page 64) is set to 1 or 2, the acceleration ramp may be increased or decreased from the setting of <i>ACC</i>, depending on the amount of load on the motor during ramp up.</p> <p>If two different acceleration rates are needed, see parameter Acceleration Time 2 <i>F5D0</i> on page 61.</p>	0.0 to 3200 seconds	According to drive model (see table page 128).
			
<i>DEC</i>	<input type="checkbox"/> Deceleration Time 1 <p>The setting of parameter <i>DEC</i> determines the slope of the deceleration ramp and the time it takes for the output frequency of the drive to decrease from the setting of Maximum Frequency <i>FH</i> to 0 Hz.</p> <p>If parameter Auto Ramp Adaptation <i>AU1</i> is set to 1 or 2, the deceleration ramp may be increased or decreased from the setting of <i>DEC</i>, depending on the amount of load on the motor during ramp down. See diagram above.</p> <p>If two different deceleration rates are needed, see parameter Deceleration Time 2 <i>F5D1</i> on page 61.</p>	0.0 to 3200 seconds	According to drive model (see table page 128).

Quick Start



Code	Name/Description	Adjustment range	Factory setting
<i>LL</i>	<input type="checkbox"/> Low Speed Parameter <i>LL</i> sets the minimum frequency that can be commanded to the drive by the local or remote speed reference source. See diagram above.	0.0 to <i>UL</i> Hz	0.0 Hz
<i>UL</i>	<input type="checkbox"/> High Speed Parameter <i>UL</i> sets the maximum frequency that can be commanded to the drive by the local or remote speed reference source. The top end of its range is limited by the setting of Maximum frequency <i>FH</i> . See diagram above.	0.5 to <i>FH</i> Hz	50.0 Hz
<i>EHr</i>	<input type="checkbox"/> Motor Rated Current Overload Setting Set parameter <i>EHr</i> to the motor's rated current as indicated on the motor nameplate for the selected operating voltage. If parameter % or A/V Units <i>F701</i> is set to 1 (see page 94), parameter <i>EHr</i> will be adjusted in amperes. If parameter % or A/V Units <i>F701</i> is set to 0, parameter <i>EHr</i> will be adjusted in percentage. In this case, divide the motor rated current by the drive rated current (as listed on its nameplate) and set parameter <i>EHr</i> to the resulting percentage. The setting of parameter Switching Frequency Level <i>F300</i> does not change the drive's rated current for the sake of this calculation (see page 64).	10 to 100% of the drive's output current rating	100 %
<i>FN</i>	<input type="checkbox"/> Analog Output Scaling Parameter <i>FN</i> is used to match the FN terminal output signal with the input requirements of the attached panel meter by adjusting the slope and bias of the analog output signal. Before adjusting <i>FN</i> , set <i>FN5L</i> to either 15 or 17. As you adjust the value of <i>FN</i> , monitor the display on the attached panel meter. When the meter display reaches 100%, press the ENT key on the drive graphic display terminal. The drive will flash between <i>FN</i> and the adjusted value, indicating that the adjustment has been saved.		-

Quick Start

Code	Name/Description	Factory setting
<p>Pt</p> <p>0</p> <p>1</p> <p>2</p> <p>3</p> <p>4</p> <p>5</p> <p>6</p>	<p>Motor Control Mode</p> <p>Constant V/Hz Use constant V/Hz mode for loads that require the same torque at low speeds as at rated speeds. Low speed torque can be adjusted manually by setting parameter Motor Voltage Boost u_b (see page 47).</p>  <p>Variable torque Use variable torque mode for loads such as centrifugal fans and pumps whose torque requirements increase as a square of the increase in motor speed. Low speed torque can be adjusted manually by setting parameter Motor Voltage Boost u_b (see page 47).</p>  <p>Constant V/Hz with automatic torque boost (1) See the diagram on page 44. This mode is similar to the constant V/Hz mode (for loads that require the same torque at low speeds as at rated speeds), except it automatically increases motor voltage and torque to compensate for increases in load.</p> <p>Sensorless vector control (1) Use sensorless vector control mode to increase torque at motor speeds below 3 Hz or to improve speed regulation (0.5 to 1%).</p> <p>Energy saving In energy savings mode, the ATV21 drive monitors motor loading and automatically modulates the voltage applied to the motor to optimize energy consumption. If the ATV21 drive and the connected motor have the same power rating, and if the motor has a nominal 1800 rpm rating, no motor auto-tuning is required to use this motor control mode. Otherwise, follow the steps outlined in "Motor Tuning" on page 48.</p> <p>Reserved (DO NOT USE)</p> <p>Reserved (DO NOT USE)</p>	<p>1</p>

(1) See page 44 for more details.

Quick Start

Code	Name/Description	Adjustment range	Factory setting
u L	<input type="checkbox"/> Motor Rated Frequency Set parameter u L to the motor's rated frequency as indicated on the motor nameplate.  It is possible to set the drive's various motor control frequencies to 50 Hz by setting Parameter Reset t 4 P to 1, the 50 Hz reset. For more information, see page 41 .	25.0 to 200.0 Hz	50.0 Hz
u L u	<input type="checkbox"/> Motor Rated Voltage Set parameter u L u to the motor's rated voltage as indicated on the motor nameplate. ATV21●●●M3X: 50 to 330 V. ATV21●●●N4: 50 to 660 V  Drive output voltage cannot be set to exceed the input line voltage level.	According to drive rating	According to drive rating

Motor parameters

Configure the motor parameters and perform an auto-tuning (**Auto Tuning Enable F 4 0 0** = 2, see page [49](#) for auto-tuning).

Code	Name/Description	Adjustment range	Factory setting
F 4 1 5	<input type="checkbox"/> Motor Rated Full Load Current Set parameter F 4 1 5 to the motor rated full load current in amperes as indicated on the motor's nameplate.	0.1 to 200.0 A	According to drive model (1)
F 4 1 7	<input type="checkbox"/> Motor Rated Speed Set parameter F 4 1 7 to the motor rated speed in rpm as indicated on the motor's nameplate.	100 to 15,000 rpm	According to drive model (1)

Code	Name/Description	Adjustment range	Factory setting
F 4 0 0 0 1 2	<input type="checkbox"/> Auto Tuning Enable <input type="checkbox"/> Disabled <input type="checkbox"/> Enabled (2): parameter Auto Torque Boost F 4 0 2 may need adjustment <input type="checkbox"/> Enabled (2): complete auto tuning	-	0

(1) See table page [128](#)

(2) Parameter **Auto Tuning Enable F 4 0 0** is reset to "0" after the auto tuning is performed.

Programming Parameters

Parameter Reset (*EYP*)

Parameter Reset Options

The ATV21 drive offers three options to return parameters to their factory default settings:

- Factory reset: set parameter *EYP* to 3
- 50 Hz reset: set parameter *EYP* to 1
- 60 Hz reset: set parameter *EYP* to 2

Code	Name/Description	Factory setting
<i>EYP</i>	Parameter Reset	0
0	-	
1	<p>50 Hz Parameter Reset</p> <p>Setting parameter <i>EYP</i> to a value of 1 will set specific parameters to values suitable for many 50 Hz (motor base frequency) applications.</p> <p>See Parameters whose values after a reset vary by reset type table on page 128 and table on page 130 for a list of parameters that are affected by this reset action and their resultant values.</p>	
2	<p>60 Hz Parameter Reset</p> <p>Setting parameter <i>EYP</i> to 2 sets specific parameters to values suitable for many 60 Hz (motor base frequency) applications. See table "Parameters whose values after a reset vary by reset type" on page 128 and table "Parameters whose values after a reset are drive model dependant but DO NOT vary by reset type" on page 129 for a list of parameters that are affected by this reset action and their resultant values.</p>	
3	<p>Factory Reset</p> <p>Setting parameter <i>EYP</i> to 3 resets most parameters to their factory settings. See tables on pages 123 to 131 for a listing of the values that will be copied into the drive by this factory reset action:</p> <ul style="list-style-type: none"> - Parameters whose values after a reset DO NOT vary by reset type (on page 123). - Parameters whose values after a reset vary by reset type (on page 128). - Parameters whose values after a reset are drive model dependant but DO NOT vary reset type (on page 129). - Parameters whose values after a reset are drive model and reset type dependant (on page 130). - Parameters whose values do not change if a reset is performed (on page 131). <p>A factory reset will also clear the fault history.</p>	
4	<p>Fault History Reset</p> <p>Setting parameter <i>EYP</i> to 4 resets the fault history. As soon as the fault history is reset, parameter <i>EYP</i> resumes its default value of 0.</p>	
5	<p>Elapsed Motor Run Time Reset</p> <p>Setting parameter <i>EYP</i> to 5 resets the elapsed motor run time clock. As soon as the elapsed motor run time clock is reset, parameter <i>EYP</i> resumes its default value of 0.</p>	
6	<p>Reset of <i>EEYP</i> Fault</p> <p>Setting parameter <i>EYP</i> to 6 resets a <i>EEYP</i> fault. As soon as the <i>EEYP</i> fault is reset, parameter <i>EYP</i> resumes its default value of 0.</p>	
7	<p>Save User-defined Settings</p> <p>The drive parameter settings can be stored into memory into the drive as a custom parameter set.</p> <p>Set parameter <i>EYP</i> to 7 to save the current drive parameter settings to memory</p>	
8	<p>Recall User-defined Settings</p> <p>The drive parameter settings can be reloaded into the drive as a custom parameter set.</p> <p>Set parameter <i>EYP</i> to 8 to reload into the drive the parameter settings last saved by setting <i>EYP</i> to 7</p>	
9	<p>Elapsed Drive Run Time Reset</p> <p>Setting parameter <i>EYP</i> to 9 resets the elapsed drive run time clock. As soon as the elapsed motor run time clock is reset, parameter <i>EYP</i> resumes its default value of 0.</p>	

Programming Parameters

Macro Programming (AU4)

The ATV21 drive can be configured for four common control schemes by setting parameter AU4:

Code	Name/Description	Factory setting
AU4	<input type="checkbox"/> Macro Programming (1)	0
0	<input type="checkbox"/> Factory setting <ul style="list-style-type: none"> - Command reference: logic inputs (CND = 0). See Remote Mode Start/Stop Control page 54. - Speed reference: analog input VIA = 0–10 V or 0–20 mA (FND = 1, F201 = 0). See Remote Mode Primary Speed Reference Source FND page 54 and Analog Input Speed Reference page 81. - F: run forward (F111 = 2). See F Logic Input Function page 80. - R: preset speed 1 (F112 = 6). See R Logic Input Function page 80. - RES: fault reset (F113 = 10). See RES Logic Input Function page 80. - Drive ready for operation (F110 = 1). See Always Active Logic Function 2 page 89. 	
1	<input type="checkbox"/> Run permissive <ul style="list-style-type: none"> - Command reference: logic inputs (CND = 0). See Remote Mode Start/Stop Control page 54. - Speed reference: analog input VIA = 0–10 V or 0–20 mA (FND = 1). See Remote Mode Primary Speed Reference Source page 54. - F: run forward (F111 = 2). See F Logic Input Function page 80. - R: run permissive (F112 = 1). See R Logic Input Function page 80. - RES: fault reset (F113 = 10). See RES Logic Input Function page 80. 	
2	<input type="checkbox"/> 3-wire control: <ul style="list-style-type: none"> - Command reference: logic inputs (CND = 0). See Remote Mode Start/Stop Control page 54. - Speed reference: analog input VIA = 0–10 V or 0–20 mA (FND = 1). See Remote Mode Primary Speed Reference Source page 54. - F: run forward (F111 = 2). See F Logic Input Function page 80. - R: stop ramp (F112 = 49). See R Logic Input Function page 80. - RES: fault reset (F113 = 10). See RES Logic Input Function page 80. 	
3	<input type="checkbox"/> +/- Speed: <ul style="list-style-type: none"> - Command reference: logic inputs (CND = 0). See Remote Mode Start/Stop Control page 54. - Speed reference: +/- Speed (FND = 5). See Remote Mode Primary Speed Reference Source page 54. - F: run forward (F111 = 2). See F Logic Input Function page 80. - R: + Speed (F112 = 41). See R Logic Input Function page 80. - RES: - Speed (F113 = 42). See RES Logic Input Function page 80. 	
4	<input type="checkbox"/> 4-20 mA speed reference: <ul style="list-style-type: none"> - Command reference: logic inputs (CND = 0). See Remote Mode Start/Stop Control page 54. - Speed reference: analog input VIA = 4–20 mA (FND = 1, F201 = 20). See Remote Mode Primary Speed Reference Source page 54 and Analog Input Speed Reference page 81. - F: run forward (F111 = 2). See F Logic Input Function page 80. - R: preset speed 1 (F112 = 6). See R Logic Input Function page 80. - RES: fault reset (F113 = 10). See RES Logic Input Function page 80. 	

(1) When programming parameter AU4, the graphic display terminal will display two numbers. The left number is the value last entered into AU4. The right number will always be 0. Use the UP/DOWN keys to change the right number to the desired value and press ENT. Entering 0 into AU4 has no effect on the drive. Programming 0 into AU4 will not return the seven parameters to their factory default values.

Programming Parameters

Parameter Lock (F 700)

Code	Name/Description	Factory setting
F 700 0 1	<input type="checkbox"/> Parameter Lock All parameters are unlocked and can be changed. See table on page 23 for the parameters that cannot be changed while the drive is running. Only parameter F 700 can be changed.	0

Display of Submenu AUF (F 738)

Code	Name/Description	Factory setting
F 738 0 1	<input type="checkbox"/> Display of Submenu AUF The setting of this parameter determines whether the AUF submenu, Quick Menu, will be displayed on the graphic terminal (see page 22). AUF displayed. AUF not displayed.	0

Motor Control Parameters

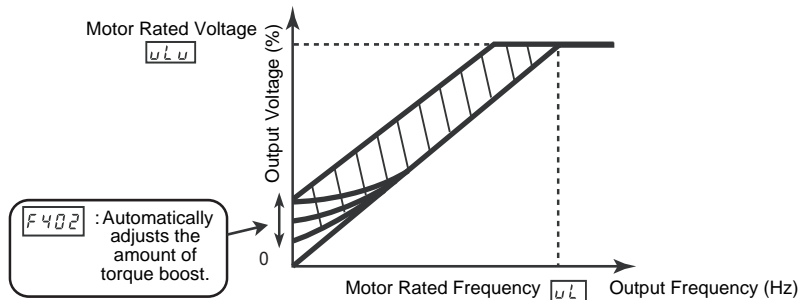
Motor Control Mode ($P\ell$)

Constant V/Hz Mode with Automatic Torque Boost ($P\ell = 2$)

Use parameter **Auto Torque Boost** $F402$ to adjust the amount of automatic torque boost (see page 53).

If the ATV21 drive and the connected motor have the same power rating, and if the motor has a nominal 1800 rpm rating, no motor auto-tuning is required to use this motor control mode. Otherwise, follow the steps outlined in “Motor Tuning” on page 48.

Due to the feedback circuit used in this mode, it is possible for motor speed to oscillate. If this occurs, select the Constant V/Hz mode ($P\ell = 0$) and adjust torque boost manually with parameter ub .



Sensorless Vector Control Mode ($P\ell = 3$)

If the ATV21 drive and the connected motor have the same power rating, and if the motor has a nominal 1800 rpm rating, no motor auto-tuning is required to use this motor control mode. Otherwise, follow the steps outlined in “Motor Tuning” on page 48.

Sensorless vector control mode is only for use in applications where:

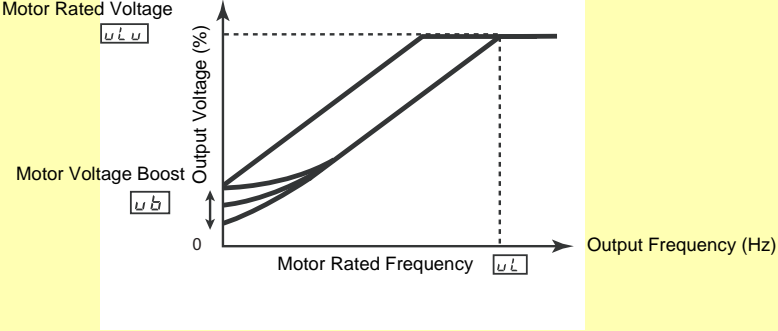
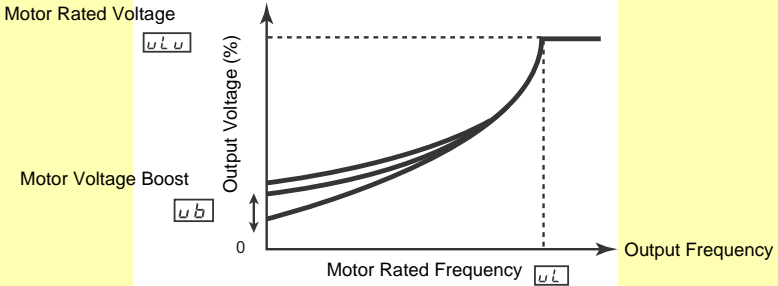
- Each motor is powered by its own ATV21 drive (not for multi-motor applications).
- The motor has a power rating equal to that of the ATV21 drive, or no lower than one hp rating less.
- The motor has between two and eight poles (900 to 3600 rpm).

Sensorless vector control will not improve motor control above the motor’s rated speed.

Sensorless vector control is most effective if the motor leads are less than 30 m (100 ft) in length. If motor leads longer than 30 m (100 ft) are required, perform an auto-tuning with the long motor leads included in the circuit. Motor torque may not be maximized at the motor’s rated frequency due to voltage drop in the motor leads.

Connecting a load reactor or a motor protecting filter on the output of the ATV21 drive may reduce the torque generated by the motor in sensorless vector control mode. Auto-tuning will most likely not be possible with a reactor or filter attached to the drive. Manual tuning will be required.

Motor Control Parameters

Code	Name/Description	Factory setting
<p>P L</p> <p>0</p> <p>1</p> <p>2</p> <p>3</p> <p>4</p> <p>5</p> <p>6</p>	<p>Motor Control Mode</p> <p>Constant V/Hz Use constant V/Hz mode for loads that require the same torque at low speeds as at rated speeds. Low speed torque can be adjusted manually by setting parameter Motor Voltage Boost u_b (see page 47).</p>  <p>Variable torque Use variable torque mode for loads such as centrifugal fans and pumps whose torque requirements increase as a square of the increase in motor speed. Low speed torque can be adjusted manually by setting parameter Motor Voltage Boost u_b (see page 47).</p>  <p>Constant V/Hz with automatic torque boost See the diagram on page 44. This mode is similar to the constant V/Hz mode (for loads that require the same torque at low speeds as at rated speeds), except it automatically increases motor voltage and torque to compensate for increases in load.</p> <p>Sensorless vector control Use sensorless vector control mode to increase torque at motor speeds below 3 Hz or to improve speed regulation (0.5 to 1%).</p> <p>Energy saving In energy savings mode, the ATV21 drive monitors motor loading and automatically modulates the voltage applied to the motor to optimize energy consumption. If the ATV21 drive and the connected motor have the same power rating, and if the motor has a nominal 1800 rpm rating, no motor auto-tuning is required to use this motor control mode. Otherwise, follow the steps outlined in "Motor Tuning" on page 48.</p> <p>Reserved (DO NOT USE)</p> <p>Reserved (DO NOT USE)</p>	<p>1</p>

Motor Control Parameters

Other Motor Control Mode Parameters

The table below lists other parameters that may need to be adjusted, depending on the setting of parameter **Motor Control Mode P_L**.

Relationship Between P_L setting and Other Motor Parameters

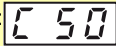
Parameter	Function	Parameter P _L setting				
		0	1	2	3	4
		Constant V/Hz Control	Variable Torque Control	Constant V/Hz with Automatic Torque Boost Control	Sensorless Vector Control	Energy Saving Control
u_L	Motor rated frequency	⊗	⊗	⊗	⊗	⊗
u_{L_u}	Motor rated voltage	⊗	⊗	⊗	⊗	⊗
u_b	Motor voltage boost	⊗	⊗	X	X	X
F 170	Motor 2 rated frequency	○	X	X	X	X
F 171	Motor 2 rated voltage	○	X	X	X	X
F 172	Motor 2 voltage boost	○	X	X	X	X
F 400	Auto-tuning	X	X	○	○	○
F 401	Slip compensation	X	X	X	○	X
F 402	Auto torque boost	X	X	⊗	⊗	⊗
F 415	Motor rated full load current	○	○	⊗	⊗	⊗
F 416	Motor no-load current	X	X	○	○	○
F 417	Motor rated speed	○	○	⊗	⊗	⊗
F 418	Frequency loop gain	X	X	○	○	○
F 419	Frequency loop stability	X	X	○	○	○
F 480	Magnetizing current coefficient	X	X	○	○	X
F 485	Stall prevention control coefficient 1	○	○	○	○	○
F 492	Stall prevention control coefficient 2	○	○	○	○	○
F 494	Motor adjustment coefficient	○	○	○	○	○
F 495	Maximum voltage adjustment coefficient	○	○	○	○	○
F 496	Waveform switching adjustment coefficient	○	○	○	○	○

X: Not applicable for the **Motor Control Mode P_L** setting

⊗ : Be sure to set and adjust this parameter.

○: Adjust this parameter if necessary.

Motor Control Parameters

Code	Name/Description	Adjustment range	Factory setting
u b	<p><input type="checkbox"/> Motor Voltage Boost</p> <p>Low speed motor torque can be adjusted with parameter Motor Voltage Boost u b (see page 47) when parameter Motor Control Mode P t (see page 45) is set to 0 (Constant V/Hz) or 1 (Variable Torque). See curves on page 44 for more information.</p> <p>If nuisance overcurrent faults occur during starting, reducing the setting of parameter u b may help.</p>	0.0 to 30.0 %	-
F 6 0 1	<p><input type="checkbox"/> Motor Current Limit</p> <p>Parameter F 6 0 1 can be adjusted to limit current during motoring or braking.</p> <p>Display in Current Limit Mode: When the drive goes into current limit mode, it will:</p> <ul style="list-style-type: none"> - Adjust the output frequency to limit the flow of motor current (down when motoring, up when braking). - Display the letter C and the output frequency flashing, ex:  <p>If parameter % or A/V Units F 7 0 1 is set to 1 (see page 94), parameter F 6 0 1 will be adjusted in amperes. If parameter F 7 0 1 is set to 0, parameter F 6 0 1 will be adjusted as a percentage of the drive's output rated current as listed on its nameplate.</p> <p>The setting of parameter Switching Frequency Level F 3 0 0 (see page 64) does not change the drive's rated current for the sake of this calculation.</p> <p>Do not set parameter F 6 0 1 below the no-load current rating of the motor. Otherwise, the drive will determine that motor braking is taking place and will increase the frequency applied to the motor.</p>	10 to 110% of the drive's output current rating	110 %

Motor Control Parameters

Motor Tuning



Tuning the drive to specific motor values will optimize motor performance if parameter **Motor Control Mode P_L** (see page 45) is set to:

- 2 (constant V/Hz with automatic boost),
- 3 (sensorless vector control), or
- 4 (energy savings)

At a minimum, manually set parameters **uL_u**, **uL**, **F415**, **F416**, and **F417**.

Parameters **F401**, **F402**, **F418**, and **F419** can be set manually or they can be set automatically using the auto tuning function, parameter **F400**.

More precise motor control adjustments can be made with parameters **F307**, **F480**, **F485**, **F492**, and **F494 – F496**.

Code	Name/Description	Adjustment range	Factory setting
uL_u	<input type="checkbox"/> Motor Rated Voltage Set parameter uL_u to the motor's rated voltage as indicated on the motor nameplate. ATV21●●●M3X: 50 to 330 V. ATV21●●●N4: 50 to 660 V  Drive output voltage cannot be set to exceed the input line voltage level.	According to drive rating (1)	According to drive rating (1)
uL	<input type="checkbox"/> Motor Rated Frequency Set parameter uL to the motor's rated frequency as indicated on the motor nameplate.  It is possible to set the drive's various motor control frequencies to 50 Hz by setting Parameter Reset t_{YP} to 1, the 50 Hz reset. For more information, see page 41.	25.0 to 200.0 Hz	50.0 Hz
t_{HR}	<input type="checkbox"/> Motor Rated Current Overload Setting Set parameter t_{HR} to the motor's rated current as indicated on the motor nameplate for the selected operating voltage. If parameter % or A/V Units F701 is set to 1 (see page 94), parameter t_{HR} will be adjusted in amperes. If parameter % or A/V Units F701 is set to 0, parameter t_{HR} will be adjusted in percentage. In this case, divide the motor rated current by the drive rated current (as listed on its nameplate) and set parameter t_{HR} to the resulting percentage. The setting of parameter Switching Frequency Level F300 does not change the drive's rated current for the sake of this calculation (see page 64).	10 to 100% of the drive's output current rating	100 %
F607	<input type="checkbox"/> Motor Overload Time Parameter F607 determines how long the drive will support a 150% motor overload before a fault occurs.	10 to 2400 seconds	300 seconds
F415	<input type="checkbox"/> Motor Rated Full Load Current Set parameter F415 to the motor rated full load current in amperes as indicated on the motor's nameplate.	0.1 to 200.0 A	According to drive model (1)
F416	<input type="checkbox"/> Motor No-load Current Set parameter F416 to the ratio of the motor's no load current to its rated full load current.	10.0 to 100.0 %	According to drive model (1)
F417	<input type="checkbox"/> Motor Rated Speed Set parameter F417 to the motor rated speed in rpm as indicated on the motor's nameplate.	100 to 15,000 rpm	According to drive model (1)

(1) See table page 128

Motor Control Parameters

Auto-tuning

Before performing an auto-tune, verify that:

- A motor is connected and any load-side disconnect is closed.
- The motor is completely stopped and de-energized.
- The motor should be cool (room temperature).
- There is only one motor connected to the drive.
- All of the motor leads that will be used in the final installation are included in the output circuit during the auto-tuning process.
- Motor leads are no longer than 30 m (100 ft). Motor leads longer than 30 m (100 ft) may result in reduced motor torque and less than optimal motor control.
- No load reactors or filters are included in the motor circuit. Output reactors and filters may cause an auto-tuning error (*E t n l*) and reduce effectiveness of sensorless vector control.
- The motor is not more than 1 hp size smaller than the drive.
- The motor has at least 2 and not more than 8 poles (900 to 3600 rpm).
- The motor does not have a high slip rating.

Auto tuning is performed upon the first start command after parameter **Auto Tuning Enable F 4 0 0** (see page 49) is set to 1 or 2 and is normally completed within 3 seconds. During the auto-tuning process, the graphic display terminal displays *R t n l*.

During the auto-tuning process voltage is applied to the motor, although it barely rotates and produces very little torque.

During the auto-tuning process, the drive checks for an output phase loss regardless of the setting of parameter **F 6 0 5**. An output phase loss fault *E P H 0* will abort the auto-tuning process.

If the auto-tuning process fails, the drive will display fault code *E t n l*. In this event, no results of the aborted auto-tuning will be saved in the drive, and a manual tuning of parameters **F 4 0 1**, **F 4 0 2**, **F 4 1 8**, and **F 4 1 9** will be required.

Code	Name/Description	Adjustment range	Factory setting
F 4 0 0	<input type="checkbox"/> Auto Tuning Enable	-	0
0	<input type="checkbox"/> Disabled		
1	<input type="checkbox"/> Enabled (1): parameter Auto Torque Boost F 4 0 2 may need adjustment		
2	<input type="checkbox"/> Enabled (1): complete auto tuning		

(1) Parameter **Auto Tuning Enable F 4 0 0** is reset to "0" after the auto tuning is performed.

Motor Control Parameters

Expert parameters:

Code	Name/Description	Adjustment range	Factory setting
F 480	<input type="checkbox"/> Magnetizing Current Coefficient Use parameter F 480 to fine tune motor torque during low-speed operation. To increase motor torque in the low-speed operating range, increase the setting of parameter F 480 . However, only adjust parameter F 480 if an auto tune does not yield sufficient low-speed torque. Increasing the setting of parameter F 480 may increase the motor's no-load current during low-speed operation. Do not set this parameter so that the motor's no-load current exceeds its rated operating current.	100 to 130 %	100 %
F 485	<input type="checkbox"/> Stall Prevention Control Coefficient 1 Use parameter F 485 to adjust the drive's response to large, sudden changes in load when the motor is operated above its rated frequency. If a sudden change in load causes the motor to stall before the drive goes into current limit, gradually reduce the setting of F 485 .	10 to 250	100
F 492	<input type="checkbox"/> Stall Prevention Control Coefficient 2 Use parameter F 492 to adjust the drive's response to a drop in the line supply voltage when the motor is operated above its rated frequency. Such a drop in voltage often causes fluctuations in motor current or vibration in the motor. To eliminate these disturbances, set parameter F 492 to a value between 80 and 90. Note: Reducing the F 492 setting increases the motor running current level.	50 to 150	100
F 494	<input type="checkbox"/> Motor Adjustment Coefficient DO NOT ADJUST.	-	-
F 495	<input type="checkbox"/> Maximum Voltage Adjustment Coefficient Use parameter F 495 to limit the drive's maximum output voltage. Increasing this setting increases torque when the motor is operated above its rated frequency, but may also cause motor vibration. Do not increase the value of F 495 if motor vibrations occur.	90 to 120 %	104 %
F 496	<input type="checkbox"/> Waveform Switching Adjustment Coefficient Adjusting the value of parameter F 496 may reduce motor noise and vibration during PWM waveform frequency shifts in the mid-speed operating range.	0.1 to 14.0 kHz	14.0 kHz

Motor Control Parameters

Supply Voltage Correction and Motor Voltage Limitation (F307)

The setting of parameter **F307** determines:

- If the drive's voltage output will be corrected for fluctuations in the line supply voltage, or
- If the drive's voltage output will be limited, despite increases in the line supply voltage.

The drive's output voltage will not exceed the input supply voltage.

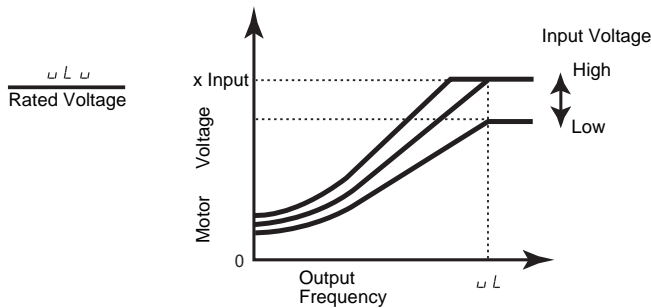
If parameter **F307** is set to 0 or 2, no corrections are made in the motor voltage gating process in response to fluctuations in supply voltage. As a result, the V/Hz value of the output waveform to the motor will change in proportion to the input voltage. Conversely, if **F307** is set to 1 or 3, the V/Hz value of the output waveform will be held constant, despite changes in the supply voltage level.

If parameter **F307** is set to 0 or 1, output motor voltage will be limited to the value set by parameter **Motor Rated Voltage** $uL u$ (see page 40), even if the input supply voltage rises. If **F307** is set to 2 or 3, output motor voltage can rise above the level set by $uL u$ if the input supply voltage rises above the motor rated voltage.

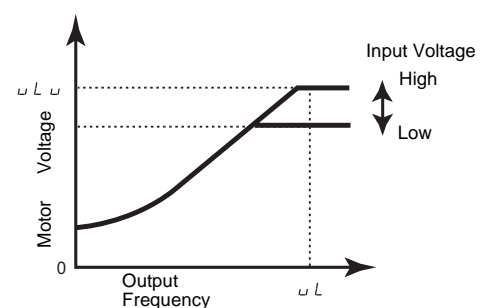
If parameter **PE** is set to a value of 2, 3, 4, 5, or 6, the supply voltage is corrected, regardless of the setting of parameter **F307**.

The diagrams below illustrate the impact of each setting of parameter **F307**.

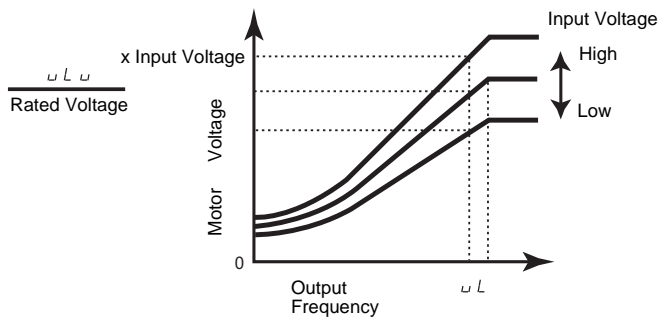
F307 = 0
Supply Voltage uncorrected, Motor Voltage Limited



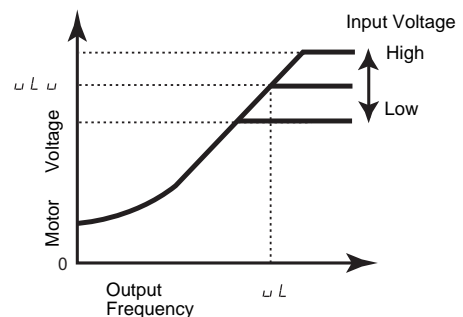
F307 = 1
Supply Voltage corrected, Motor Voltage Limited



F307 = 2
Supply Voltage uncorrected, Motor Voltage Unlimited



F307 = 3
Supply Voltage corrected, Motor Voltage Unlimited





Code	Name/Description	Factory setting
F307	<input type="checkbox"/> Supply Voltage Correction and Motor Voltage Limitation	3
0	<input type="checkbox"/> Supply voltage uncorrected – motor voltage limited	
1	<input type="checkbox"/> Supply voltage corrected – motor voltage limited	
2	<input type="checkbox"/> Supply voltage uncorrected – motor voltage unlimited	
3	<input type="checkbox"/> Supply voltage corrected – motor voltage unlimited	

Motor Control Parameters

Motor 2 Control Parameters

When logic inputs assigned to functions 39 or 40 are active, parameters *F 170* to *F 173* and *F 185* are the active set of motor control parameters.

When motor 2 control parameters are active, only constant V/Hz **Motor Control Mode** (*P E* = 0) is available (see page 45).

Code	Name/Description	Adjustment range	Factory setting
<i>F 170</i>	<input type="checkbox"/> Motor 2 Rated Frequency Set parameter <i>F 170</i> to the motor's rated frequency as indicated on the motor nameplate.  It is possible to set the drive's various motor control frequencies to 50 Hz by setting Parameter Reset E 4 P to 1, the 50 Hz reset. For more information, see page 41.	25.0 to 200.0 Hz	50.0 Hz
<i>F 171</i>	<input type="checkbox"/> Motor 2 Rated Voltage Set parameter <i>F 171</i> to the motor's rated voltage as indicated on the motor nameplate. ATV21●●●M3X: 50 to 330 V. ATV21●●●N4: 50 to 660 V  Drive output voltage cannot be set to exceed the input line voltage.	According to drive model (1)	According to drive model (1)
<i>F 172</i>	<input type="checkbox"/> Motor 2 Voltage Boost	0 to 30 %	According to drive model (1)
<i>F 173</i>	<input type="checkbox"/> Motor 2 Rated Current Overload Setting Set parameter <i>F 173</i> to the motor's rated current as listed on the motor nameplate for the selected operating voltage.	10 to 100% of the drive's output current rating	100 %
<i>F 185</i>	<input type="checkbox"/> Motor 2 Current Limit Adjust parameter <i>F 185</i> to limit current during motoring or braking. Do not set parameter <i>F 185</i> below the no-load current rating of the motor; otherwise, the drive will determine that motor braking is taking place and will increase the frequency applied to the motor.	10 to 110% of the drive's output current rating	110 %

(1) See table page 128.

Motor Control Parameters

Code	Name/Description	Adjustment range	Factory setting
F 4 0 1	<input type="checkbox"/> Slip Compensation Before adjusting parameter F 4 0 1 , verify that parameter Motor Rated Speed F 4 1 7 (see page 48) is set to the rated full-load speed of the motor in rpm. Parameter F 4 0 1 can be used to fine tune the drive's slip compensation feature. Increasing the value of parameter F 4 0 1 increases the drive's compensation of motor slip.	0 to 150 %	50 %
F 4 0 2	<input type="checkbox"/> Auto Torque Boost Use parameter F 4 0 2 to adjust the amount of automatic torque boost that is applied. <div style="text-align: center;"> <p>The graph plots Output Voltage (%) on the y-axis against Output Frequency (Hz) on the x-axis. A horizontal dashed line at the top represents the Motor Rated Voltage (ULU). A vertical dashed line marks the Motor Rated Frequency (ωL). A solid line shows the output voltage increasing linearly from 0 to ωL and then remaining constant at ULU. A shaded area between this solid line and a slightly higher linear line represents the torque boost. A callout box labeled 'F402' points to this shaded area with the text: ': Automatically adjusts the amount of torque boost.'</p> </div>	0.0 to 30.0%	According to drive model (see table page 128).
F 4 1 8	<input type="checkbox"/> Frequency loop gain Parameters Frequency loop gain F 4 1 8 and Frequency loop stability F 4 1 9 reduce the speed of the drive's response to a change in speed command. The factory setting of these two parameters assumes that the inertia of the load is three times as large as that of the motor shaft. Adjust these two parameters if the factory setting is not appropriate for the application. Note: It is possible for the drive's output frequency to exceed its upper limit (parameter F H) if the acceleration parameter (A C C or F 5 0 7) is set to its minimum value. Increasing the setting of parameter F 4 1 8 reduces the drive's response time to changes in the speed reference.	1 to 150	40
F 4 1 9	<input type="checkbox"/> Frequency loop stability Increasing the setting of parameter F 4 1 9 further reduces the drive's response to changes in the speed reference.	1 to 100	20

Drive Control Parameters

Code	Name/Description	Adjustment range	Factory setting
CNOd 0 1 2	<input type="checkbox"/> Remote Mode Start/Stop Control The setting of parameter CNOd determines the source of start, stop, forward, and reverse operation commands when the drive is in remote mode. The drive must be stopped to make changes to parameter CNOd . See diagram on page 31 for more information on the source of the drive's operation commands. <input type="checkbox"/> Control terminal logic inputs. <input type="checkbox"/> Graphic display terminal. <input type="checkbox"/> Serial communication	-	0
FNOd 1 2 3 4 5	<input type="checkbox"/> Remote Mode Primary Speed Reference Source The setting of parameter FNOd determines the source of the drive's speed reference when the drive is in remote mode. The drive must be stopped to make changes to parameter FNOd . See diagram on page 31 for more information on the source of the drive's speed reference. <input type="checkbox"/> VIA <input type="checkbox"/> VIB <input type="checkbox"/> Graphic display terminal <input type="checkbox"/> Serial communication <input type="checkbox"/> +/- Speed	-	1
FC	<input type="checkbox"/> Local Mode Speed Reference The speed reference set by the UP/DOWN keys in local mode will be stored in parameter FC when the ENT key is pressed. The next time the drive is started in local mode, it will accelerate the motor directly to the speed setpoint memorized by FC .	LL (low speed) to UL (high speed) Hz	0.0 Hz
F r 0 1 2 3	<input type="checkbox"/> Local Mode Motor Rotation Direction Command <input type="checkbox"/> Run forward only. <input type="checkbox"/> Run reverse only. <input type="checkbox"/> Run forward with reverse selectable. <input type="checkbox"/> Run reverse with forward selectable. If F r is set to 2 or 3: - The motor direction can be changed in local mode to forward by pressing the UP key while holding the ENT key and to reverse by pressing the DOWN key while holding the ENT key. The new motor direction will be displayed (forward = F r - F , reverse = F r - r) before the motor direction is reversed. - The motor's last operating direction in local mode will be stored before a power removal or loss. When power is restored to the drive, the local mode motor rotation direction will be the same as before the power loss. - If Bumpless Transfer From Remote To Local Control F 2 9 5 (see page 55) is enabled and control is transferred from remote to local mode, the local mode operation will assume the same motor rotation direction as in remote mode, regardless of the setting of F r .	-	0

Drive Control Parameters

Code	Name/Description	Adjustment range	Factory setting
F 707	<input type="checkbox"/> Local Mode Speed Reference Step Changes <input type="checkbox"/> Disabled (0.00). <input type="checkbox"/> Enabled (0.01 to Maximum Frequency <i>F H</i> in Hz). If parameter F 707 is disabled in local mode, the drive's speed reference will change in steps of 0.1 Hz each time the UP or DOWN key is pressed. If parameter F 707 is enabled in local mode, the drive's speed reference will change in steps equal to the setting of F 707 each time the UP or DOWN key is pressed. Enabling parameter F 707 only affects drive operation if parameter F 702 is set to 0.00. See page 96 . If the display flashes " H I " or " L O ", it indicates that repeated usage of the UP or DOWN keys has caused to drive's speed reference to reach either the Low Speed L L (see page 59) or the High Speed U L (see page 59). This may happen if parameter F 707 is set to a value larger than 0.00 Hz.	-	0.00 Hz
F 721	<input type="checkbox"/> Local Mode Motor Stop Type The setting of parameter F 721 determines the type of motor stop that will be executed when then graphic display terminal STOP key is pressed. The RUN and STOP keys must be enabled by setting parameter Disabling of graphic display terminal RUN and STOP Keys in Local Mode F 733 (see page 58) to 0 for the motor to stop when the graphic display terminal STOP key is pressed. <input type="checkbox"/> Ramp stop <input type="checkbox"/> Freewheel stop	-	0
F 295	<input type="checkbox"/> Bumpless Transfer From Remote To Local Control If parameter F 295 is enabled, the speed reference, run and direction commands will be transferred from remote to local mode when the LOC/REM key is pressed. Operation of the drive is not affected by a remote to local control mode transition. If parameter F 295 is disabled, a remote to local control mode transition will cause the drive to remove power from the motor. A new run command and speed reference will need to be entered in the local mode. Regardless of the setting of parameter F 295 , a local to remote transition will cause the drive to immediately respond to the remote commands present at the moment of the transition. <input type="checkbox"/> Disabled <input type="checkbox"/> Enabled	-	1

Drive Control Parameters

Code	Name/Description	Adjustment range	Factory setting
<p>F 2 5 6</p>	<p><input type="checkbox"/> Sleep/Wake Operation</p> <ul style="list-style-type: none"> <input type="checkbox"/> Disabled (0.0). <input type="checkbox"/> Enabled (0.01 to 600 seconds). <p>If parameter F 2 5 6 is enabled and if the drive operates continuously at Low Speed L L (see page 59) for a time period equal to the setting of F 2 5 6, the drive will ramp the motor to a stop. While the motor is stopped, "L S E P" will flash on the drive graphic display terminal.</p> <p>When the speed reference to the drive exceeds the Low Speed level L L + F 3 9 1, the drive will accelerate the motor to the new speed reference.</p> <p>If parameter F 2 5 6 is enabled, drive operation at or below the low speed level is also monitored during startup or during reversing of the motor. See diagram below.</p> <div data-bbox="395 712 1177 1122" data-label="Figure"> </div>	0.0 to 600 s	0.0 s
<p>F 2 0 7</p> <p>1 2 3 4 5</p>	<p><input type="checkbox"/> Remote Mode Secondary Speed Reference Source</p> <ul style="list-style-type: none"> <input type="checkbox"/> VIA <input type="checkbox"/> VIB <input type="checkbox"/> Graphic Display terminal <input type="checkbox"/> Serial communication <input type="checkbox"/> +/- Speed <p>Parameter F 2 0 7 defines the remote mode secondary speed reference source. The setting of parameter Auto/Manual Speed Reference Switching F 2 0 0 (see page 83) determines whether this source is used for the speed reference.</p> <p>If F 2 0 0 is set to 0, a logic input terminal set to function 38 (see page 68) determines if F 2 0 7 identifies the speed reference source.</p> <p>If F 2 0 0 is set to 1, F 2 0 7 is the speed reference source when the drive's output frequency is 1 Hz or below. See diagram on page 31 for more detail.</p>	-	2

Drive Control Parameters

Code	Name/Description	Adjustment range	Factory setting
F 6 5 0	<input type="checkbox"/> Forced Speed Enable	-	0
	<div style="border: 1px solid black; padding: 10px; background-color: #ffffcc;"> <p style="text-align: center;">⚠ WARNING</p> <p>LOSS OF CONTROL</p> <ul style="list-style-type: none"> The designer of any control scheme must consider the potential failure modes of control paths and, for certain critical control functions, provide a means to achieve a safe state during and after a path failure. Examples of critical control functions are emergency stop and overtravel stop. Separate or redundant control paths must be provided for critical control functions. System control paths may include communication links. Consideration must be given to the implications of unanticipated transmission delays or failures of the link. Each implementation of an Altivar 21 drive must be individually and thoroughly tested for proper operation before being placed into service. <p>Failure to follow these instructions can result in death, serious injury, or equipment damage.</p> </div>		
0 1	<input type="checkbox"/> Disabled. <input type="checkbox"/> Enabled. To enable Forced speed mode, set parameter F 6 5 0 to 1 and assign a logic input to function 52 or 53 (see page 68). When parameter F 6 5 0 is set to 1, the graphic display terminal will briefly flash the code F I r E . If parameter F 6 5 0 is set to 1 and a logic input assigned to function 52 is activated, the drive will run at the frequency set by parameter Forced Speed Frequency F 2 9 4 (see below). - Desactivating the logic input assigned to function 52 will not stop the drive! - The following drive faults will not stop the drive: O C 1, O C 2, O C 3, O C 1 P, O C 2 P, O C 3 P, O P 1, O P 2, O P 3, O L 1, O L 2, O H , and S O U E - Only removing power from the drive or a stop emergency will stop it when it is in this mode of operation. When parameter F 6 5 0 is set to 1 and a logic input set to function 53 is activated, the drive will run at the frequency set by parameter F 2 9 4 (see below). - Desactivating the logic input assigned to function 53 will not stop the drive. - Only a fault, a pressing the STOP key on the graphic display terminal will stop the drive.		
F 2 9 4	<input type="checkbox"/> Forced Speed Frequency	L L - U L	50.0 Hz
	Use parameter VIA output frequency level 2 F 2 0 4 (see page 81) to set the fixed frequency command for the drive when it is in Forced speed mode.		
F 3 1 1	<input type="checkbox"/> Motor Rotation Direction Command	-	1
0 1 2	Use parameter F 3 1 1 to prevent forward or reverse operation when an improper operation signal is received. <input type="checkbox"/> Forward and reverse operation permitted <input type="checkbox"/> Reverse operation prohibited <input type="checkbox"/> Forward operation prohibited		

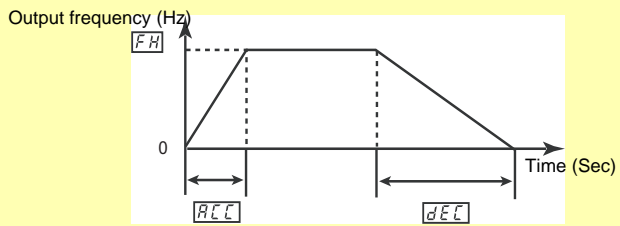
Drive Control Parameters

Code	Name/Description	Factory setting
F 730 0 1	<p><input type="checkbox"/> Disabling of graphic display terminal Speed Reference Change Keys</p> <p>The setting of parameter F 730 determines whether it is possible to set the drive's speed by means of the graphic display terminal in local mode.</p> <ul style="list-style-type: none"> <input type="checkbox"/> Enabled. <input type="checkbox"/> Disabled. 	0
F 732 0 1 2	<p><input type="checkbox"/> Disabling of graphic display terminal Local/Remote Key</p> <p>Use parameter F 732 to enable or disable the LOC/REM key on the drive graphic display terminal.</p> <p>If the LOC/REM key is disabled, switching between local and remote mode can be achieved with parameters Remote Mode Primary Speed Reference Source F 704 and Remote Mode Start/Stop Control C 704. See page 54.</p> <ul style="list-style-type: none"> <input type="checkbox"/> Permitted: still retained with the power off. <input type="checkbox"/> Prohibited <input type="checkbox"/> Permitted: cancelled with the power off. 	0
F 733 0 1	<p><input type="checkbox"/> Disabling of graphic display terminal RUN and STOP Keys in Local Mode</p> <p>Use parameter Motor Rotation Direction Command F 311 (see page 57) to prevent forward or reverse operation when an improper operation signal is received.</p> <div style="border: 1px solid black; padding: 10px; text-align: center;"> <p>⚠ WARNING</p> <p>DISABLED STOP COMMAND</p> <p>Disabling the stop key (733 or 734) on the drive graphic display terminal display or the remote graphic display terminal display will prevent the drive from stopping when the stop key is pressed. An external stop command must be installed to stop the motor.</p> <p>Failure to follow this instruction can result in death, serious injury, or equipment damage.</p> </div> <ul style="list-style-type: none"> <input type="checkbox"/> Enabled <input type="checkbox"/> Disabled <p>The setting of parameter F 733 determines whether it is possible to start and stop the drive by means of the graphic display terminal in local mode.</p>	0
F 734 0 1	<p><input type="checkbox"/> Enable / disable the local stop emergency function</p> <p>The setting of parameter F 733 determines whether it is possible to stop the drive by means of the graphic display terminal in remote mode (see page 33 for more detail).</p> <ul style="list-style-type: none"> <input type="checkbox"/> Enabled <input type="checkbox"/> Disabled 	0
F 735 0 1	<p><input type="checkbox"/> Disabling of graphic display terminal Fault Reset Function</p> <p>The setting of parameter F 735 determines whether it is possible to reset a drive fault by means of the graphic display terminal STOP key (see page 36 for more detail).</p> <ul style="list-style-type: none"> <input type="checkbox"/> Enabled <input type="checkbox"/> Disabled 	1

Application Parameters

Code	Name/Description	Adjustment range	Factory setting
FH	<input type="checkbox"/> Maximum Frequency	30.0 to 200.0 Hz	50.0 Hz
<div style="border: 1px solid black; padding: 10px; margin: 10px auto; width: 80%;"> <p style="text-align: center;">⚠ WARNING</p> <p>OVERSPEED HAZARD Do not operate the motor or driven equipment above its rated speed. Consult the equipment manufacturer for details</p> <p>Failure to follow these instructions can result in death or equipment damage.</p> </div> <p>The setting of parameter FH determines the maximum output frequency of the drive.</p> <p>FH limits the setting of parameter High Speed UL (see page 59), which can be adjusted while the drive is operating.</p> <p>Acceleration and deceleration rates are also affected by the setting of FH, as the definition of Acceleration Time 1 ACC or Deceleration Time 1 DEC (see page 60) is the time it takes for the drive to ramp the motor up or down between zero speed and the setting of FH.</p> <p>FH can only be adjusted while the drive is stopped.</p> <div style="display: flex; justify-content: space-around; margin-top: 20px;"> <div style="text-align: center;"> <p>Output frequency (Hz)</p> <p>Speed Reference</p> </div> <div style="text-align: center;"> <p>Output frequency (Hz)</p> <p>Speed Reference</p> </div> </div>			
UL	<input type="checkbox"/> High Speed	0.5 to FH Hz	50.0 Hz
<p>Parameter UL sets the maximum frequency that can be commanded to the drive by the local or remote speed reference source.</p> <p>The top end of its range is limited by the setting of Maximum frequency FH. See diagram above.</p>			
LL	<input type="checkbox"/> Low Speed	0.0 to UL Hz	0.0 Hz
<p>Parameter LL sets the minimum frequency that can be commanded to the drive by the local or remote speed reference source.</p> <p>See diagram above.</p>			

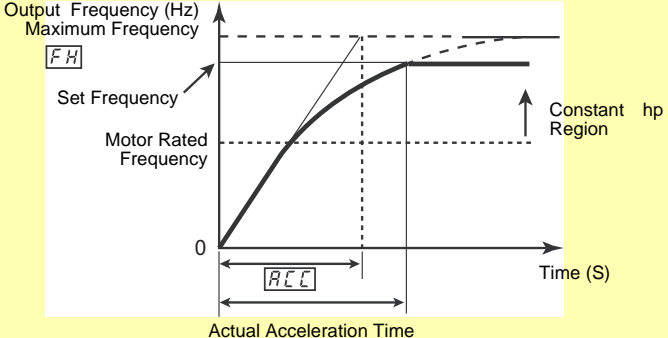
Application Parameters

Code	Name/Description	Adjustment range	Factory setting
F 2 4 0	<p>Output Starting Frequency</p> <p>The setting of parameter F 2 4 0 determines the drive's output frequency at the moment it receives a start command. There is no acceleration time to reach the F 2 4 0 Output Starting Frequency level.</p> <p>F 2 4 0 is typically set for the rated slip frequency of the motor. This allows motor torque to be generated as soon as a start command is given. Adjust F 2 4 0 when a delay in the motor's response to a start command adversely affects the application.</p> <p>To determine the motor's slip frequency:</p> <ol style="list-style-type: none"> 1) Subtract the motor's rated speed at full load from it's no-load speed (in rpm). 2) Divide the result by the no-load speed. 3) Multiply this result by the motor's rated frequency in Hz. <p>Example:</p> <ul style="list-style-type: none"> - Motor no-load speed = 1800 rpm - Motor rated speed at full load = 1750 rpm - Motor rated frequency = 60 Hz <p>1800 rpm – 1750 rpm = 50 rpm 50 rpm / 1800 rpm = 2.78% 60 Hz x 0.0278 = 1.7 Hz (motor slip frequency)</p>	0.5 to 10.0 Hz	0.5 Hz
A C C	<p>Acceleration Time 1</p> <p>The setting of parameter A C C determines the slope of the acceleration ramp and the time it takes for the output frequency of the drive to increase from 0 Hz to the setting of Maximum Frequency F H (see page 59).</p> <p>If parameter Auto Ramp Adaptation A U 1 (see page 64) is set to 1 or 2, the acceleration ramp may be increased or decreased from the setting of A C C, depending on the amount of load on the motor during ramp up.</p> <p>If two different acceleration rates are needed, see parameter Acceleration Time 2 F 5 0 0 on page 61.</p> 	0.0 to 3200 seconds	According to drive model (see table page 128).
d E C	<p>Deceleration Time 1</p> <p>The setting of parameter d E C determines the slope of the deceleration ramp and the time it takes for the output frequency of the drive to decrease from the setting of Maximum Frequency F H to 0 Hz.</p> <p>If parameter Auto Ramp Adaptation A U 1 is set to 1 or 2, the deceleration ramp may be increased or decreased from the setting of d E C, depending on the amount of load on the motor during ramp down. See diagram above.</p> <p>If two different deceleration rates are needed, see parameter Deceleration Time 2 F 5 0 1 on page 61.</p>	0.0 to 3200 seconds	According to drive model (see table page 128).

Application Parameters

Code	Name/Description	Adjustment range	Factory setting
F500	Acceleration Time 2 Parameter F500 sets the second acceleration time. Switching between acceleration rates 1 and 2 is accomplished by means of: <ul style="list-style-type: none"> - Parameter Acc/Dec Pattern Selection (Ramp Switching) F504 (see page 63), - A particular operating frequency (see parameter Acc/Dec Pattern Switching Frequency F505 on page 63), or - A logic input assigned to functions 5, 20, 21, 30, 31 – 35, or 40 (see table beginning on page 69) 	0.0 to 3200 seconds	20.0 seconds
	<p>(1) ACC Acceleration Slope (2) F500 Acceleration Slope (3) F501 Deceleration Slope (4) dEC Deceleration Slope</p>		
F501	Deceleration Time 2 Parameter F501 sets the second deceleration time. Switching between deceleration rates 1 and 2 is accomplished by means of: <ul style="list-style-type: none"> - Parameter F504 (see page 66), - A particular operating frequency (see parameter F505 on page 66), or - A logic input assigned to functions 5, 20, 21, 30, 31 – 35, or 40 (see table beginning on page 67) 	0.0 to 3200 seconds	20.0 seconds
F502	Acc/Dec Pattern 1 <input type="checkbox"/> Linear <input type="checkbox"/> S-pattern 1 (see diagram below) <input type="checkbox"/> S-pattern 2 (see diagram below for Acc/Dec Pattern 2 F503 parameter). The linear acceleration and deceleration pattern is illustrated in diagram on page 60 and is used in most applications. S-pattern 1 (see diagram below) is for use in applications that need the shortest ramp time possible while minimizing shock during speed changes. See page 62 for more information about parameters Acc/Dec S-pattern Lower Limit F506 and Acc/Dec S-pattern Upper Limit F507 .		0
012	<p>Output Frequency (Hz) Maximum Frequency F_H Set Frequency 0 Time (S) $F506 \times ACC$ ACC $F507 \times ACC$ Actual Acceleration Time</p>		

Application Parameters

Code	Name/Description	Factory setting	
<p>F503</p> <p>0 1 2</p>	<p><input type="checkbox"/> Acc/Dec Pattern 2</p> <div style="border: 1px solid black; padding: 10px; text-align: center; margin: 10px 0;"> <p>⚠ WARNING</p> <p>OVERSPEED HAZARD</p> <p>Do not operate the motor or driven equipment above its rated speed. Consult the equipment manufacturer for details</p> <p>Failure to follow these instructions can result in death or equipment damage.</p> </div> <p><input type="checkbox"/> Linear</p> <p><input type="checkbox"/> S-pattern 1 (see diagram below)</p> <p><input type="checkbox"/> S-pattern 2 (see previous diagram for parameter Acc/Dec Pattern 1 F502). S-pattern 2 (diagram below) is for use in high-speed spindle applications where acceleration and deceleration rates need to be reduced as the motor operates above its rated operating frequency—a constant hp region where motor torque is reduced.</p> <p>Use parameter F503 to select the second Acc/Dec pattern. Switching between Acc/Dec patterns 1 and 2 is accomplished by means of:</p> <ul style="list-style-type: none"> - Parameter Acc/Dec Pattern Selection (Ramp Switching) F504 (see page 63), - A particular operating frequency (see parameter Acc/Dec Pattern Switching Frequency F505 on page 63), or - A logic input assigned to functions 5, 20, 21, 30, 31 – 35, or 40 (see table beginning on page 68) <p>For more information on Acc/Dec patterns, see parameter Acc/Dec Pattern 1 F502 on page 61.</p> <div style="text-align: center; margin-top: 20px;">  </div>	<p>0</p>	
<p>F506</p>	<p><input type="checkbox"/> Acc/Dec S-pattern Lower Limit</p> <p>Use parameter F506 to adjust the lower portion of S-pattern 1. See diagram on page 62.</p>	<p>0 to 50% of acceleration time</p>	<p>10 %</p>
<p>F507</p>	<p><input type="checkbox"/> Acc/Dec S-pattern Upper Limit</p> <p>Use parameter F507 to adjust the upper portion of the S-pattern 1. See diagram on page 62.</p>	<p>0 to 50% of acceleration time</p>	<p>10 %</p>

Application Parameters

Code	Name/Description	Adjustment range	Factory setting
F504	<p><input type="checkbox"/> Acc/Dec Pattern Selection (Ramp Switching)</p> <p><input type="checkbox"/> Acc/Dec pattern 1 <input type="checkbox"/> Acc/Dec pattern 2</p> <p>Parameter F504 determines the Acc/Dec pattern.</p>	-	1
F505	<p><input type="checkbox"/> Acc/Dec Pattern Switching Frequency</p> <p>If parameter F505 is set to a frequency greater than 0.0, the drive will use Acc/Dec pattern 1 above that frequency and Acc/Dec pattern 2 above that frequency.</p> <p>(1) RCC Acceleration Slope (2) F500 Acceleration Slope (3) F501 Deceleration Slope (4) dEC Deceleration Slope</p>	0.0 to UL (Hz)	0.0 Hz

Application Parameters

Code	Name/Description	Adjustment range	Factory setting
RU1 0 1 2	<input type="checkbox"/> Auto Ramp Adaptation <input type="checkbox"/> Disabled <input type="checkbox"/> Enabled - Acceleration Time 1 <i>ACC</i> and Deceleration Time 1 <i>DEC</i> (see page 60) <input type="checkbox"/> Enabled (<i>ACC</i> only) If parameter <i>RU1</i> is set to 1 or 2, the drive will monitor its own loading level and optimize the acceleration and deceleration ramps. The acceleration and deceleration (<i>RU1</i> = 1 only) rates will be automatically adjusted between 1/8 to 8 times the settings of <i>ACC</i> and <i>DEC</i> , depending on the drive's current rating and the load level on the motor. <i>ACC</i> and <i>DEC</i> should be appropriately set for an average load in the application. If the load on the motor increases rapidly during ramp up or ramp down, the auto ramp adaptation feature may not prevent the drive from experiencing an overcurrent or overvoltage fault. If the application requires a consistent acceleration and deceleration time, set <i>RU1</i> to 0, and set <i>ACC</i> and <i>DEC</i> manually as needed. The manual acceleration and deceleration times can still be overridden by the Motor Current Limit <i>FBD1</i> (see page 47) and Overvoltage Fault Protection <i>F305</i> (see page 101) and Overvoltage Fault Operation Level <i>F626</i> (see page 101) functions.	-	1
F300	<input type="checkbox"/> Switching Frequency Level Increasing the switching frequency may reduce audible motor noise. Increasing the switching frequency will increase the heat dissipated by the drive. The capacity of the drive may need to be derated accordingly if the switching frequency is increased. See the derating curves in the ATV21 Installation Manual.	6.0 to 16.0 kHz in 0.1 kHz steps	According to drive model (see table page 128).
F312 0 1	<input type="checkbox"/> Switching Frequency Random Mode Random control of the switching frequency may reduce audible motor noise. Random control of the switching frequency will not be performed if the switching frequency is set above 7.1 kHz, regardless of the setting of <i>F312</i> . <input type="checkbox"/> Disabled <input type="checkbox"/> Enabled	-	0
F316 0 1 2 3	<input type="checkbox"/> Switching Frequency Control Mode <input type="checkbox"/> ATV21●●●M3X and ATV21●●●N4: switching frequency NOT automatically reduced <input type="checkbox"/> ATV21●●●M3X and ATV21●●●N4: switching frequency automatically reduced <input type="checkbox"/> ATV21●●●N4 (1):switching frequency NOT automatically reduced <input type="checkbox"/> ATV21●●●N4 (1):switching frequency automatically reduced If parameter <i>F316</i> is set to 1 or 3, the switching frequency level will be automatically controlled to prevent a drive overheating fault. If the drive senses an impending overheating fault, it will reduce the switching frequency, thus reducing heat produced by the controller. As the temperature approaches normal, the switching frequency will return to the level selected by parameter <i>F300</i> . If <i>F316</i> is set to 2 or 3, motor control performance is optimized if parameter <i>F300</i> is set to 6 kHz.	-	1

(1) For 400 V applications with motor leads longer than 30 m (100 ft).

Application Parameters

Skip Frequencies

Do not set the skip frequency bands so that they overlap.

While the drive will not operate within these skip frequency bands during steady state operation, skip frequency bands are ignored by the drive during motor acceleration and deceleration.

Code	Name/Description	Adjustment range	Factory setting
<i>F 2 7 0</i>	<input type="checkbox"/> Skip frequency 1 midpoint	0.0 – <i>F H</i> (Hz)	0.0 Hz
<i>F 2 7 1</i>	<input type="checkbox"/> Skip frequency 1 bandwidth	0.0 – 30.0 (Hz)	0.0 Hz
<i>F 2 7 2</i>	<input type="checkbox"/> Skip frequency 2 midpoint	0.0 – <i>F H</i> (Hz)	0.0 Hz
<i>F 2 7 3</i>	<input type="checkbox"/> Skip frequency 2 bandwidth	0.0 – 30.0 (Hz)	0.0 Hz
<i>F 2 7 4</i>	<input type="checkbox"/> Skip frequency 3 midpoint	0.0 – <i>F H</i> (Hz)	0.0 Hz
<i>F 2 7 5</i>	<input type="checkbox"/> Skip frequency 3 bandwidth	0.0 – 30.0 (Hz)	0.0 Hz

Application Parameters

DC Injection Braking Parameters

WARNING

NO HOLDING TORQUE

- DC injection braking does not provide holding torque at zero speed.
- DC injection braking does not function during a loss of power or during a drive fault.
- When required, use a separate brake for holding torque.

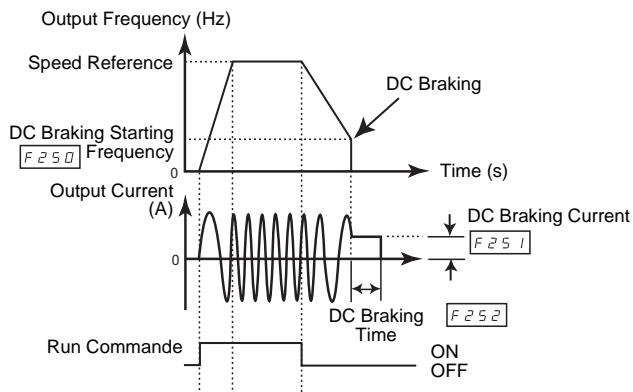
MOTOR OVERHEATING

- Protect the motor from extended periods of DC injection braking. Application of DC injection braking for long periods of time can cause motor overheating and damage.

Failure to follow these instructions can result in death, serious injury, or equipment damage.

The drive can inject DC current into the motor to apply braking torque to the load. Parameters *F 2 5 0*, *F 2 5 1* and *F 2 5 2* determine the Output Starting Frequency, current level, and braking time.

During DC injection braking, the drive's switching frequency is 6 kHz regardless of the setting of parameter *F 3 0 0* (see page 64).



Code	Name/Description	Adjustment range	Factory setting
<i>F 2 5 0</i>	<input type="checkbox"/> DC Braking Starting Frequency When stopping the motor, the drive will apply DC injection braking once the output frequency drops below the level set by parameter <i>F 2 5 0</i> .	0.0 to <i>F H</i> (Hz)	0.0 Hz
<i>F 2 5 1</i>	<input type="checkbox"/> DC Braking Current Level Parameter <i>F 2 5 1</i> sets the level of current applied to the motor during DC injection braking. The displayed value, percent or amperes, is set by parameter Graphic display terminal : % or A/V Units F 7 0 1 (see page 94). During DC injection braking, the drive's overload protection sensitivity increases. The drive automatically lowers the applied DC current to avoid an overload fault.	0 to 100 %	50 % (1)
<i>F 2 5 2</i>	<input type="checkbox"/> DC Braking Time Parameter <i>F 2 5 2</i> determines how long DC injection braking is applied to the motor.	0.0 to 20.0 seconds	1.0 second

(1) Percent of the drive's rated current. Ampere range will vary according to drive power rating.

I/O Control Parameters

Logic inputs F, R, RES, and VIA (if parameter *F 109* is set to 1 or 2) can be set to the functions described in the table below. See table on page 71 for logic input function compatibility.

Function No.	Function Description	Action			
0	No function assigned	Logic input disabled			
1	Run permissive (see also input function 54)	OFF: drive motor output disabled, motor coasts to stop ON: drive ready for operation			
2	Forward run command (2-wire control: input function 49 NOT used) or (3-wire control: input function 49 USED)	Mode	Logic Input Action		
		2-wire control	OFF: Motor ramps down to a stop ON: Motor runs forward		
		Mode	Stop Input State	Logic Input Action	
3-wire control	OFF	OFF: no function ON: no function			
3-wire control	ON	OFF to ON transition starts the drive, motor runs forward			
3	Reverse run command (2-wire control: input function 49 NOT used) or (3-wire control: input function 49 USED)	Mode	Logic Input Action		
		2-wire control	OFF: Motor ramps down to a stop ON: Motor runs in reverse		
		Mode	Stop Input State	Logic Input Action	
3-wire control	OFF	OFF: no function ON: no function			
3-wire control	ON	OFF to ON transition starts the drive, motor runs in reverse			
4		DO NOT USE			
5	Acceleration/deceleration pattern selection	OFF: Acceleration/deceleration pattern 1 ON: Acceleration/deceleration pattern 2			
6	Preset speed command input 1	Input 3	Input 2	Input 1	Motor Speed
		0	0	0	minimum speed or speed reference per <i>F 104</i>
7	Preset speed command input 2	0	0	1	<i>S r 1</i> : preset speed 1
		0	1	0	<i>S r 2</i> : preset speed 2
8	Preset speed command input 3	0	1	1	<i>S r 3</i> : preset speed 3
		1	0	0	<i>S r 4</i> : preset speed 4
8	Preset speed command input 3	1	0	1	<i>S r 5</i> : preset speed 5
		1	1	0	<i>S r 6</i> : preset speed 6
8	Preset speed command input 3	1	1	1	<i>S r 7</i> : preset speed 7
10	Fault reset (see also input function 55)	ON to OFF transition resets fault (if cause of fault has cleared)			
11	External Fault (see also input function 45)	OFF: No external fault ON: Motor stops according to method set by parameter <i>F 603</i> graphic display terminal displays <i>E</i> fault, fault relay activated			
13	DC braking command	OFF: No DC braking command ON: DC braking applied to motor, Level and time set by parameters <i>F 251</i> and <i>F 252</i>			
14 (1)	PID control prohibited	OFF: PID control permitted ON: PID control prohibited PID control prohibited input terminal function is available to switch PID control and open-loop control. Also Clear PID integral value input terminal function (function 65) is available.			

(1) For software version lower than V1.71E04, when Clear PID integral value (function 65) and PID Control Prohibited (function 14) are used, it is necessary to set *C 104* to terminal board (Remote Mode Start/Stop Control *C 104* = Control terminal logic inputs = 0).

I/O Control Parameters

Function No.	Function Description	Action
15	Programming parameter lock Functional only when parameter <i>F 700</i> = 1	OFF: Parameters locked (if parameter <i>F 700</i> = 1) ON: Programming changes permitted
16	Combination of run permissive and fault reset	OFF: drive motor output disabled, motor coasts to stop ON: drive ready for operation ON to OFF transition resets fault (if cause of fault has cleared)
20	Combination of forward run command and acceleration/deceleration pattern 2 selection	OFF: Motor stops, ramping down per ACC/dEC pattern 2 ON: Motor runs forward, ramping up per ACC/dEC pattern 2
21	Combination of reverse run command and acceleration/deceleration pattern 2 selection	OFF: Motor stops, ramping down per ACC/dEC pattern 2 ON: Motor runs in reverse, ramping up per ACC/dEC pattern 2
22	Combination of forward run command and preset speed 1 command	OFF: Motor ramps down to a stop ON: Motor runs forward, at speed set by <i>S r 1</i> , preset speed 1
23	Combination of reverse run command and preset speed 1 command	OFF: Motor ramps down to a stop ON: Motor runs in reverse, at speed set by <i>S r 1</i> , preset speed 1
24	Combination of forward run command and preset speed 2 command	OFF: Motor ramps down to a stop ON: Motor runs forward, at speed set by <i>S r 2</i> , preset speed 2
25	Combination of reverse run command and preset speed 2 command	OFF: Motor ramps down to a stop ON: Motor runs in reverse, at speed set by <i>S r 2</i> , preset speed 2
26	Combination of forward run command and preset speed 3 command	OFF: Motor ramps down to a stop ON: Motor runs forward, at speed set by <i>S r 3</i> , preset speed 3
27	Combination of reverse run command and preset speed 3 command	OFF: Motor ramps down to a stop ON: Motor runs in reverse, at speed set by <i>S r 3</i> , preset speed 3
30	Combination of forward run command, preset speed 1 command, and acceleration/deceleration pattern 2 selection	OFF: Motor stops, ramping down per ACC/dEC pattern 2 ON: Motor runs forward, at speed set by <i>S r 1</i> , preset speed 1, ramping up per ACC/dEC pattern 2
31	Combination of reverse run command, preset speed 1 command, and acceleration/deceleration pattern 2 selection	OFF: Motor stops, ramping down per ACC/dEC pattern 2 ON: Motor runs in reverse, at speed set by <i>S r 1</i> , preset speed 1, ramping up per ACC/dEC pattern 2
32	Combination of forward run command, preset speed 2 command, and acceleration/deceleration pattern 2 selection	OFF: Motor stops, ramping down per ACC/dEC pattern 2 ON: Motor runs forward, at speed set by <i>S r 2</i> , preset speed 2, ramping up per ACC/dEC pattern 2
33	Combination of reverse run command, preset speed 2 command, and acceleration/deceleration pattern 2 selection	OFF: Motor stops, ramping down per ACC/dEC pattern 2 ON: Motor runs in reverse, at speed set by <i>S r 2</i> , preset speed 2, ramping up per ACC/dEC pattern 2
34	Combination of forward run command, preset speed 3 command, and acceleration/deceleration pattern 2 selection	OFF: Motor stops, ramping down per ACC/dEC pattern 2 ON: Motor runs forward, at speed set by <i>S r 3</i> , preset speed 3, ramping up per ACC/dEC pattern 2
35	Combination of reverse run command, preset speed 3 command, and acceleration/deceleration pattern 2 selection	OFF: Motor stops, ramping down per ACC/dEC pattern 2 ON: Motor runs in reverse, at speed set by <i>S r 3</i> , preset speed 3, ramping up per ACC/dEC pattern 2
38	Frequency reference source switching	OFF: drive follows speed reference set by parameter <i>F 00d</i> ON: drive follows speed reference set by parameter <i>F 207</i> > (if <i>F 200</i> = 1)
39	Motor V/Hz parameter switching	OFF: 1 st motor V/Hz parameter set active: (<i>P t</i> , <i>u L</i> , <i>u L u</i> , <i>u b</i> , <i>t H r</i>) ON: 2 nd motor V/Hz parameter set active: (<i>P t</i> = 0, <i>F 170</i> , <i>F 171</i> , <i>F 172</i> , <i>F 173</i>)

I/O Control Parameters

Function No.	Function Description	Action
40	Motor control parameter switching V/Hz, current limit, acceleration/deceleration pattern	OFF: 1 st motor control parameter set active: (<i>Pt</i> , <i>uL</i> , <i>uLu</i> , <i>ub</i> , <i>EHr</i> , <i>ACC</i> , <i>DEC</i> , <i>F502</i> , <i>F601</i>) ON: 2 nd motor control parameter set active: (<i>Pt</i> = 0, <i>F170</i> , <i>F171</i> , <i>F172</i> , <i>F173</i> , <i>F185</i> , <i>F500</i> , <i>F501</i> , <i>F503</i>)
41	(+) speed input	OFF: No motor speed increase ON: Motor accelerates
42	(-) speed input	OFF: No motor speed reduction ON: Motor decelerates
43	+/- speed clear	OFF to ON transition clears frequency level set by +/- speed inputs
44	Combination of +/- speed clear and fault reset	OFF to ON transition clears frequency level set by +/- speed inputs ON to OFF transition resets fault (if cause of fault has cleared)
45	Inversion of external fault signal (see also input function 11)	OFF: Motor stops according to method set by parameter <i>F603</i> graphic display terminal displays <i>E</i> fault ON: No external fault
46	External overheating fault input (see also input function 47)	OFF: No external overheating fault ON: Motor stops, graphic display terminal displays <i>OH2</i> fault
47	Inversion of external overheating fault input (see also input function 46)	OFF: Motor stops, graphic display terminal displays <i>OH2</i> fault ON: No external overheating fault
48	Forced local	OFF: No forced local function ON: Control of the drive is forced to mode set by <i>FNOd</i> , <i>CNOd</i> , and <i>F207</i>
49	3-wire control stop input	OFF: Motor ramps down to a stop ON: drive ready for operation
51	Clear accumulated power consumption kWh display	OFF: No function ON: Clears kWh memory
52	<p>Fire-mode drive operation Available only if <i>F650</i> = 1 Set <i>F294</i> to proper level</p> <div style="border: 1px solid black; padding: 5px; margin: 5px 0;"> <p style="text-align: center;">⚠ DANGER</p> <p style="text-align: center;">LOSS OF STOP FUNCTION</p> <p>When the fire mode input function is used, the drive can not be stopped unless power is removed from the drive.</p> <p style="text-align: center;">Failure to follow this instruction will result in death or serious injury.</p> </div>	<p>OFF: No function ON: Motor runs at speed set by <i>F294</i></p> <p>The following actions/events will NOT stop the drive and motor:</p> <ul style="list-style-type: none"> • Setting the fire-mode input to OFF • Pressing the STOP key • The following drive faults: <i>OC1</i>, <i>OC2</i>, <i>OC3</i>, <i>OC1P</i>, <i>OC2P</i>, <i>OC3P</i>, <i>OP1</i>, <i>OP2</i>, <i>OP3</i>, <i>OL1</i>, <i>OL2</i>, <i>OH</i>, <i>SOU</i>
53	Forced-mode drive operation Available only if <i>F650</i> = 1 Set <i>F294</i> to proper level	OFF: No function ON: Motor runs at speed set by <i>F294</i> Setting the forced-mode input to OFF will NOT stop the drive The drive will stop after a press on the STOP key or when an emergency stop is activated by a logic input.
54	Inversion of run permissive (see also input function 1)	OFF: drive ready for operation ON: drive motor output disabled, motor coasts to stop This mode allows to have a freewheel stop using a terminal command.
55	Inversion of fault reset (see also input function 10)	OFF to ON transition resets fault (if cause of fault has cleared)
56	Combination of run permissive and run forward command (2-wire control only)	OFF: drive motor output disabled, motor coasts to stop ON: Motor runs forward
57	Combination of run permissive and run reverse command (2-wire control only)	OFF: drive motor output disabled, motor coasts to stop ON: Motor runs reverse

I/O Control Parameters

Function No.	Function Description	Action
61	Current limit level selection	OFF: Current limit level 1 F 6 0 1 selected ON: Current limit level 2 F 1 8 5 selected
62	Holding of RY-RC relay output	OFF: Normal real-time relay operation ON: RY-RC is held on once activated
64	Cancellation of last graphic display terminal command	OFF: Last graphic display terminal command cancelled ON: Last graphic display terminal command retained
65 (1)	Clear PID integral value	OFF: No action ON: PID integral value held at zero
66	Combination of run permissive, run forward command, and preset speed 1 command	OFF: drive motor output disabled, motor coasts to stop ON: Motor runs forward at speed set by S r 1 , preset speed 1
67	Combination of run permissive, run reverse command, and preset speed 1 command	OFF: drive motor output disabled, motor coasts to stop ON: Motor runs reverse at speed set by S r 1 , preset speed 1
68	Combination of run permissive, run forward command, and preset speed 2 command	OFF: drive motor output disabled, motor coasts to stop ON: Motor runs forward at speed set by S r 2 , preset speed 2
69	Combination of run permissive, run reverse command, and preset speed 2 command	OFF: drive motor output disabled, motor coasts to stop ON: Motor runs reverse at speed set by S r 2 , preset speed 2
70	Combination of run permissive, run forward command, and preset speed 4 command	OFF: drive motor output disabled, motor coasts to stop ON: Motor runs forward at speed set by S r 4 , preset speed 4
71	Combination of run permissive, run reverse command, and preset speed 4 command	OFF: drive motor output disabled, motor coasts to stop ON: Motor runs reverse at speed set by S r 4 , preset speed 4
72	PID error signal reversed	OFF: if F111 = 72 and F terminal is OFF, PI error input = reference - feedback ON: if F111 = 72 and F terminal is ON, PI error input = feedback - reference

(1) For software version lower than V1.71E04, when Clear PID integral value (function 65) and PID Control Prohibited (function 14) are used, it is necessary to set **C P D d** to terminal board (**Remote Mode Start/Stop Control C P D d = Control terminal logic inputs = 0**).

I/O Control Parameters

Logic Input Function Compatibility

O = Compatible

X = Incompatible

+ = Compatible under some conditions

@ = Priority

Function No. / Function	1/54	2	3	5	6-9	10/55	11/45	13	14	15	46/47	48	41-43	49	38	39	40	52/53
1/54 Run permissive		@	@	@	@	O	O	@	O	O	O	O	O	@	O	O	O	X
2 Forward run command	+		X	O	O	O	X	X	O	O	X	O	O	X	O	O	O	X
3 Reverse run command	+	+		O	O	O	X	X	O	O	X	O	O	X	O	O	O	X
5 Acceleration/deceleration pattern selection	+	O	O		O	O	X	X	O	O	X	O	O	O	O	O	X	O
6-9 Preset-speed commands 1 to 3	+	O	O	O		O	X	X	O	O	X	O	O	O	O	O	O	X
10/55 Fault reset	O	O	O	O	O		X	O	O	O	X	O	O	O	O	O	O	X
11/45 External fault	+	@	@	@	@	@		@	@	O	+	O	@	@	O	O	O	X
13 DC braking command	+	@	@	@	@	O	X		@	O	X	O	@	@	O	O	O	X
14 PID control prohibited	O	O	O	O	O	O	X	X		O	X	O	O	O	O	O	O	X
15 Programming parameter lock	O	O	O	O	O	O	O	O	O		O	O	O	O	O	O	O	O
46/47 External overheating fault	@	@	@	@	@	@	+	@	@	O		O	O	@	O	O	O	X
48 Forced local	O	O	O	O	O	O	O	O	O	O	O		O	O	O	O	O	X
41-43 +/- speed	O	O	O	O	O	O	O	O	O	O	O	O		O	O	O	O	X
49 3-wire control stop input	+	@	@	O	O	O	X	X	O	O	X	O	O		O	O	O	X
38 Frequency reference source switching	O	O	O	O	O	O	O	O	O	O	O	O	O	O		O	O	X
39 Motor V/Hz parameter switching	O	O	O	O	O	O	O	O	O	O	O	O	O	O	O		X	O
40 Motor control parameter switching	O	O	O	@	O	O	O	O	O	O	O	O	O	O	O	@		O
52/53 Fire-mode Forced mode	@	@	@	O	@	@	@	@	@	O	@	@	@	@	@	O	O	

The following logic input functions are ALWAYS active, regardless of the **FNO** and **CNO** setting

- (1) Run permissive
- (10) Fault reset
- (11) External fault

When determining function compatibility using the table above, the function listed horizontally is activated first and the function listed vertically is activated second.

I/O Control Parameters

Relay Output Functions

The two relay outputs (FL and RY-RC) can be set to the functions described in the table below.

Function No.	Function Description	Action
0	Low speed attained	OFF: output frequency is low speed setting <i>LL</i> ON: output frequency is > low speed setting <i>LL</i>
1	Inversion of low speed attained (function 0)	OFF: output frequency is > low speed setting <i>LL</i> ON: output frequency is low speed setting <i>LL</i>
2	High speed attained	OFF: output frequency is < high speed setting <i>UL</i> ON: output frequency is high speed setting <i>UL</i>
3	Inversion of high speed attained (function 2)	OFF: output frequency is high speed setting <i>UL</i> ON: output frequency is < high speed setting <i>UL</i>
4	<i>F 100</i> speed attained (drive running) (See page 93 for more detail on parameter <i>F 100</i> .)	OFF: output frequency is < <i>F 100</i> speed setting ON: output frequency is <i>F 100</i> speed setting
5	Inversion of <i>F 100</i> speed attained (function 4)	OFF: output frequency is <i>F 100</i> speed setting ON: output frequency is < <i>F 100</i> speed setting
6	Commanded speed attained (up to speed)	OFF: output frequency is commanded speed +/- <i>F 102</i> hysteresis band ON: output frequency is > commanded speed +/- <i>F 102</i> hysteresis band
7	Inversion of commanded speed attained (function 6)	OFF: output frequency is > commanded speed +/- <i>F 102</i> hysteresis band ON: output frequency is commanded speed +/- <i>F 102</i> hysteresis band
8	<i>F 101</i> speed attained (See page 93 for more detail on parameters <i>F 101</i> and <i>F 102</i> .)	OFF: output frequency is <i>F 101</i> speed +/- <i>F 102</i> hysteresis band ON: output frequency is > <i>F 101</i> speed +/- <i>F 102</i> hysteresis band
9	Inversion of <i>F 101</i> speed attained (function 8)	OFF: output frequency is > <i>F 101</i> speed +/- <i>F 102</i> hysteresis band ON: output frequency is <i>F 101</i> speed +/- <i>F 102</i> hysteresis band
10	Fault relay (The drive is not in a fault state during auto fault reset attempts. See also function 36.)	OFF: No drive fault ON: drive faulted
11	Inversion of fault relay (function 10)	OFF: drive faulted ON: No drive fault
12	Overtorque fault (Overtorque fault detection is active only if parameter <i>F 6 15</i> = 1. See page 105 for more detail on an overtorque fault and parameters <i>F 6 16</i> and <i>F 6 18</i> .)	OFF: Estimated motor torque has NOT been at <i>F 6 16</i> level for a time period longer than that set by <i>F 6 18</i> ON: Estimated motor torque has been at <i>F 6 16</i> level for a time period longer than that set by <i>F 6 18</i> . drive stopped, displaying <i>0t</i> fault
13	Inversion of overtorque fault (function 12)	OFF: Estimated motor torque has been at <i>F 6 16</i> level for a time period longer than that set by <i>F 6 18</i> . drive stopped, displaying <i>0t</i> fault ON: Estimated motor torque has NOT been at <i>F 6 16</i> level for a time period longer than that set by <i>F 6 18</i>
14	Run relay	OFF: drive is not powering the motor ON: drive is powering the motor, accelerating, decelerating, at constant speed, or DC braking
15	Inversion of run relay (function 14)	OFF: drive is powering the motor, accelerating, decelerating, at constant speed, or DC braking ON: drive is not powering the motor
16	Motor overload alarm (Motor overload alarm detection is only active if parameter <i>OL n</i> is set to either 0, 1, 4, or 5. See page 108 for more detail on motor overload protection settings.)	OFF: motor thermal state is < 50% of motor overload fault level ON: motor thermal state is 50% of motor overload fault level
17	Inversion of motor overload alarm (function 16)	OFF: motor thermal state is 50% of motor overload fault level ON: motor thermal state is < 50% of motor overload fault level

I/O Control Parameters

Function No.	Function Description	Action
20	Overtorque alarm (Overtorque alarm detection is active only if parameter <i>F 6 15</i> = 0. See page 105 for more detail on the overtorque alarm and parameters <i>F 6 16</i> , <i>F 6 19</i> .)	OFF: Estimated motor torque is < 70% of <i>F 6 16</i> level minus <i>F 6 19</i> hysteresis band ON: Estimated motor torque is 70% of <i>F 6 16</i> level
21	Inversion of overtorque alarm (function 20)	OFF: Estimated motor torque is 70% of <i>F 6 16</i> level ON: Estimated motor torque is < 70% of <i>F 6 16</i> level minus <i>F 6 19</i> hysteresis band
22	General alarm	OFF: No alarm condition from the sources listed below exists ON: An alarm has been issued by one of the following sources: <ul style="list-style-type: none"> • Overtorque trip (output functions 12 and 13) • Motor overload alarm (output functions 16 and 17) • Overtorque alarm (output functions 20 and 21) • Loss of load detection (output functions 24 and 25) • Run time alarm (output functions 42 and 43) • Undervoltage alarm (output functions 54 and 55) • drive in sleep mode (see for more detail on parameter <i>F 2 5 6</i>) • Power failure stop (see for more detail on parameter <i>F 3 0 2</i>) • Overcurrent alarm – motor current limit level (parameter <i>F 6 0 1</i>) • Overvoltage alarm – DC bus voltage overvoltage stall level (parameter <i>F 6 2 6</i>) • drive overheating alarm
23	Inversion of general alarm (function 22)	OFF: An alarm has been issued by one of the following sources: <ul style="list-style-type: none"> • Overtorque trip (output functions 12 and 13) • Motor overload alarm (output functions 16 and 17) • Overtorque alarm (output functions 20 and 21) • Loss of load detection (output functions 24 and 25) • Run time alarm (output functions 42 and 43) • Undervoltage alarm (output functions 54 and 55) • drive in sleep mode (see for more detail on parameter <i>F 2 5 6</i>) • Power failure stop (see for more detail on parameter <i>F 3 0 2</i>) • Overcurrent alarm – motor current limit level (parameter) • Overvoltage alarm – DC bus voltage overvoltage stall level (parameter <i>F 6 2 6</i>) • drive overheating alarm ON: No alarm condition from the sources listed above exists
24	Underload detection (See 103 for more detail on parameters <i>F 6 0 9</i> – <i>F 6 12</i> and the underload function.)	OFF: Motor current is greater than <i>F 6 1 1</i> level + <i>F 6 0 9</i> hysteresis band ON: Motor current is less than <i>F 6 1 1</i> level for the time set by <i>F 6 1 2</i>
25	Inversion of underload detection (function 24)	OFF: Motor current is less than <i>F 6 1 1</i> level for the time set by <i>F 6 1 2</i> ON: Motor current is greater than <i>F 6 1 1</i> level + <i>F 6 0 9</i> hysteresis band

I/O Control Parameters

Function No.	Function Description	Action
26	Non-autoresettable fault	<p>OFF: None of the fault conditions listed below exist ON: One (or more) of the following fault conditions exists and has stopped the drive:</p> <ul style="list-style-type: none"> • <i>E</i> – external fault • <i>E - 1B</i> – VIA analog input signal fault • <i>E - 19</i> – main control board CPU communication error • <i>E - 20</i> – excessive torque boost fault • <i>E - 21</i> – main control board CPU error 2 • <i>EEP 1</i> – main control board EEPROM error 1 • <i>EEP 2</i> – main control board EEPROM error 2 • <i>EEP 3</i> – main control board EEPROM error 3 • <i>EF 2</i> – ground fault • <i>EPHO</i> – output phase failure fault • <i>EPH 1</i> – input phase failure fault • <i>Err 1</i> – speed reference error • <i>Err 2</i> – main control board RAM error • <i>Err 3</i> – main control board ROM error • <i>Err 4</i> – main control board CPU error 1 • <i>Err 5</i> – serial communication control error • <i>Err 7</i> – motor current sensor error • <i>Err 8</i> – serial communication network error • <i>Et n 1</i> – auto-tuning error • <i>EtYP</i> – drive ratings error • <i>DCA</i> – short-circuit detected in drive output inverter stage during motor startup • <i>DCL</i> – short-circuit detected in motor or output wiring during motor startup • <i>DH 2</i> – external overheating fault • <i>Et</i> – overtorque fault • <i>Uc</i> – underload fault • <i>UP 1</i> – Undervoltage fault
27	Inversion of non-autoresettable fault (function 26)	<p>OFF: One (or more) of the following fault conditions exists and has stopped the drive:</p> <ul style="list-style-type: none"> • <i>E</i> – external fault • <i>E - 1B</i> – VIA analog input signal fault • <i>E - 19</i> – main control board CPU communication error • <i>E - 20</i> – excessive torque boost fault • <i>E - 21</i> – main control board CPU error 2 • <i>EEP 1</i> – main control board EEPROM error 1 • <i>EEP 2</i> – main control board EEPROM error 2 • <i>EEP 3</i> – main control board EEPROM error 3 • <i>EF 2</i> – ground fault • <i>EPHO</i> – output phase failure fault • <i>EPH 1</i> – input phase failure fault • <i>Err 1</i> – speed reference error • <i>Err 2</i> – main control board RAM error • <i>Err 3</i> – main control board ROM error • <i>Err 4</i> – main control board CPU error 1 • <i>Err 5</i> – serial communication control error • <i>Err 7</i> – motor current sensor error • <i>Err 8</i> – serial communication network error • <i>Et n 1</i> – auto-tuning error • <i>EtYP</i> – drive ratings error • <i>DCA</i> – short-circuit detected in drive output inverter stage during motor startup • <i>DCL</i> – short-circuit detected in motor or output wiring during motor startup • <i>DH 2</i> – external overheating fault • <i>Et</i> – overtorque fault • <i>Uc</i> – underload fault • <i>UP 1</i> – Undervoltage fault <p>ON: None of the fault conditions listed above exist</p>

I/O Control Parameters

Function No.	Function Description	Action
28	Auto-resettable fault	<p>OFF: None of the fault conditions listed below exist</p> <p>ON: One (or more) of the following fault conditions exists:</p> <ul style="list-style-type: none"> • <i>OC 1</i> – overcurrent fault during acceleration • <i>OC 2</i> – overcurrent fault during deceleration • <i>OC 3</i> – overcurrent fault during constant speed operation • <i>OC 1P</i> – overcurrent flowing in element during acceleration • <i>OC 2P</i> – overcurrent flowing in element during deceleration • <i>OC 3P</i> – overcurrent flowing in element during constant speed operation • <i>OH</i> – drive overheating fault • <i>OL 1</i> – drive overload fault • <i>OL 2</i> – motor overload fault • <i>OP 1</i> – overvoltage fault during acceleration • <i>OP 2</i> – overvoltage fault during deceleration • <i>OP 3</i> – overvoltage fault during constant speed operation • <i>SQUK</i> – permanent magnet motor step-out fault
29	Inversion of auto-resettable fault (function 28)	<p>OFF: One (or more) of the following fault conditions exists:</p> <ul style="list-style-type: none"> • <i>OC 1</i> – overcurrent fault during acceleration • <i>OC 2</i> – overcurrent fault during deceleration • <i>OC 3</i> – overcurrent fault during constant speed operation • <i>OC 1P</i> – overcurrent flowing in element during acceleration • <i>OC 2P</i> – overcurrent flowing in element during deceleration • <i>OC 3P</i> – overcurrent flowing in element during constant speed operation • <i>OH</i> – drive overheating fault • <i>OL 1</i> – drive overload fault • <i>OL 2</i> – motor overload fault • <i>OP 1</i> – overvoltage fault during acceleration • <i>OP 2</i> – overvoltage fault during deceleration • <i>OP 3</i> – overvoltage fault during constant speed operation • <i>SQUK</i> – permanent magnet motor step-out fault <p>ON: None of the fault conditions listed above exist</p>
30	drive ready condition 1	<p>OFF: drive not ready for operation</p> <p>ON: drive ready for operation (ready includes active run permissive and active run command)</p>
31	Inversion of drive ready condition 1 (function 30)	<p>OFF: drive ready for operation (ready includes active run permissive and active run command)</p> <p>ON: drive not ready for operation</p>
32	drive ready condition 2	<p>OFF: drive not ready for operation</p> <p>ON: drive ready for operation (ready does not include active run permissive or active run command)</p>
33	Inversion of drive ready condition 2 (function 32)	<p>OFF: drive ready for operation (ready does not include active run permissive or active run command)</p> <p>ON: drive not ready for operation</p>
34	VIB input reference source	<p>OFF: analog input terminal VIB is NOT the active speed reference source</p> <p>ON: VIB is the active speed reference source</p>
35	Inversion of VIB input reference source (function 34)	<p>OFF: analog input terminal VIB is the active speed reference source</p> <p>ON: VIB is NOT the active speed reference source</p>
36	Fault relay (The drive is not in a fault state during auto fault reset attempts. See also function 10.)	<p>OFF: No drive fault</p> <p>ON: drive faulted</p>
37	Inversion of fault relay (function 36)	<p>OFF: drive faulted</p> <p>ON: No drive fault</p>
38	Serial communication data	<p>OFF: Serial communication word <i>FASD</i> bit 0 = 0</p> <p>ON: Serial communication word <i>FASD</i> bit 0 = 1</p>
39	Inversion of serial communication data (function 38)	<p>OFF: Serial communication word <i>FASD</i> bit 0 = 1</p> <p>ON: Serial communication word <i>FASD</i> bit 0 = 0</p>

I/O Control Parameters

Function No.	Function Description	Action
42	drive operational run time alarm (See page 95 for more detail on parameter <i>F621</i> .)	OFF: Run time is < <i>F621</i> time setting ON: Run time is <i>F621</i> time setting
43	Inversion of run time alarm (function 42)	OFF: Run time is <i>F621</i> time setting ON: Run time is < <i>F621</i> time setting
44	drive service alarm (See page 106 for more detail on parameter <i>F634</i> .)	OFF: drive maintenance alarm not active ON: drive maintenance alarm active
45	Inversion of drive maintenance alarm (function 44)	OFF: drive maintenance alarm active ON: drive maintenance alarm not active
48	Logic input F state	OFF: Logic input F is not active ON: Logic input F is active
49	Inversion of logic input F state (function 48)	OFF: Logic input F is active ON: Logic input F is not active
50	Logic input R state	OFF: Logic input R is not active ON: Logic input R is active
51	Inversion of logic input R state (function 50)	OFF: Logic input R is active ON: Logic input R is not active
52	drive speed reference equals VIA signal	OFF: Speed reference from the source identified by <i>F00d</i> or the source identified by <i>F207</i> ≠ VIA signal ON: Speed reference from the source identified by <i>F00d</i> or the source identified by <i>F207</i> = VIA signal
53	Inversion of drive speed reference equals VIA signal (function 52)	OFF: Speed reference from the source identified by <i>F00d</i> or the source identified by <i>F207</i> = VIA signal ON: Speed reference from the source identified by <i>F00d</i> or the source identified by <i>F207</i> ≠ VIA signal
54	Undervoltage alarm	OFF: Undervoltage alarm is not active ON: Undervoltage alarm is active
55	Inversion of undervoltage alarm (function 54)	OFF: Undervoltage alarm is active ON: Undervoltage alarm is not active
56	Local/remote switching	OFF: drive is in remote mode ON: drive is in local mode
57	Inversion of local/remote switching (function 57)	OFF: drive is in local mode ON: drive is in remote mode
58	PTC thermal alarm	OFF: Motor temperature as indicated by PTC thermal probes is < 60% of the trip level ON: Motor temperature as indicated by PTC thermal probes is 60% of the trip level
59	Inversion of PTC thermal alarm (function 58)	OFF: Motor temperature as indicated by PTC thermal probes is 60% of the trip level ON: Motor temperature as indicated by PTC thermal probes is < 60% of the trip level
60	drive speed reference equals VIB signal	OFF: Speed reference from the source identified by <i>F00d</i> or the source identified <i>F207</i> ≠ VIB signal ON: Speed reference from source identified by <i>F00d</i> or the source identified <i>F207</i> = VIB signal
61	Inversion of drive speed reference equals VIB signal (function 60)	OFF: Speed reference from source identified by <i>F00d</i> or the source identified <i>F207</i> = VIB signal ON: Speed reference from the source identified by <i>F00d</i> or the source identified <i>F207</i> ≠ VIB signal

I/O Control Parameters

Function No.	Function Description	Action
62	Analog VIA detection	ON: The value of VIA is equal to or higher than $F 160 + F 161$ OFF: The value of VIA is equal to or lower than $F 160 - F 161$
63	Inversion of analog VIA detection	ON: The value of VIA is equal to or lower than $F 160 - F 161$ OFF: The value of VIA is equal to or higher than $F 160 + F 161$
64	Analog VIB detection	ON: The value of VIB is equal to or higher than $F 162 + F 163$ OFF: The value of VIB is equal to or lower than $F 162 - F 163$
65	Inversion of analog VIB detection	ON: The value of VIB is equal to or lower than $F 162 - F 163$ OFF: The value of VIB is equal to or higher than $F 162 + F 163$
66	Set frequency attainment signal with hysteresis	ON: The ouptput frequency is equal to or higher than $F 101 + F 102$ OFF: The ouptput frequency is equal to or lower than $F 101 - F 102$ (See page 93 for more detail on parameters $F 101$ and $F 102$.)
67	Inversion of set frequency attainment signal with hysteresis	ON: The ouptput frequency is equal to or lower than $F 101 - F 102$ OFF: The ouptput frequency is equal to or higher than $F 101 + F 102$ (See page 93 for more detail on parameters $F 101$ and $F 102$.)
254	Relay output is always OFF	OFF
255	Relay output is always ON	ON

Analog Input Functions

Two analog inputs are supplied with the ATV21 drive. The terminals are designated VIA and VIB.

Analog Input VIA

- VIA can accept the following signal types:
 - Voltage (V): 0–10 V, voltage or potentiometer input
 - Current (I): 0–20 mA or 4–20 mA
 - The signal type (V or I) is selected by setting SW3 on the main control board.

For information on wiring, consult the ATV21 Installation manual.

- The slope and bias of the input signal are adjusted with parameters *F 201–F 204* and *F 470–F 471*. For more information, see page [81](#).
- VIA is configured as the speed reference input in the following macro-configurations:
 - Run permissive
 - 3-wire
 - 4-20 mA.
- Relay output functions 34 and 35 can signal when VIA is being used as the speed reference source. For more information, see table on page [72](#) and consult “I/O Control Parameters” on page [80](#).
- Relay output functions 52 and 53 can be used to signal the results of a comparison between the signal at VIA and the speed reference commanded by *F 704* or *F 207*. This function can also be used to send out a signal indicating whether the amount of processing and the amount of feedback agree with each other. For more information, see table on page [72](#). Also, consult “I/O Control Parameters” on page [80](#) and review information about parameter *F 167* on page [93](#).
- The drive can enter a fault state if the VIA signal drops below a specified level for more than 300 mS. For more information, see parameter *F 633* on page [104](#) and error code *E - 1B* on page [118](#).
- VIA can serve as an analog or a logic input, depending on setting of parameter *F 109* (set to 0 for analog input). Analog input is the factory setting. See page [80](#) for more information about parameter *F 109*.

Analog Input VIB

- VIB can accept the following signal types:
 - Voltage (V): 0–10V, voltage or potentiometer input
 - PTC motor thermal sensor input. For more information, see parameters *F 645* and *F 646* on page [88](#).
- Adjust the slope and bias of the input signal with parameters *F 210 - F 213* and *F 472 - F 473*. For more information, see page [81](#).
- Relay output functions 52 and 53 can signal when VIA is being used as the speed reference source. For more information, see table on page [72](#) and consult “I/O Control Parameters” on page [80](#).
- Relay output functions 60 and 61 can be used to signal the results of a comparison between the signal at VIA and the speed reference commanded by *F 704* or *F 207*. This function can also be used to send out a signal indicating whether the amount of processing and the amount of feedback agree with each other. For more information, see table on page [72](#). Also, consult “I/O Control Parameters” on page [80](#) and review information about parameter *F 167* on page [93](#).

General

- The selection of VIA or VIB as the speed reference input in remote mode is made through parameters *F 704* and *F 207*. *F 704* is the primary speed reference source, while *F 207* is the secondary source. Switching between the two is determined by the setting of parameter *F 200*. For more information, see Auto/Manual Speed Reference Switching *F 200* on page [84](#).
- Analog output terminal FN can be configured to provide a signal in proportion to the VIA or VIB signal levels. See parameter *F 75L*, selections 13 and 14, on page [84](#).
- When PID control is enabled, VIA or VIB can serve as the setpoint input. Either VIA or VIB must be selected as the feedback input. See page [86](#) for more information on parameter *F 360* and PID control.
- Information can be transferred between the serial communication network and the analog inputs via read and write functions *F 870*, *F 871*, and *F 875–F 879*. For more information, see page [111](#) to [113](#).

Analog Output Functions

One analog output is supplied with the ATV21 drive. The terminal is designated FM.

FM is a multifunctional programmable analog output supplying an output frequency signal as the factory default.

The FM terminal can output a voltage or current signal.

- When switch SW2 is set to V (voltage), FM outputs a 0–10 Vdc signal at 1 mA.
- When switch SW2 is set to I (current), FM outputs a 0–20 mA signal up to 24 Vdc. For detail on proper wiring, consult the ATV21 Installation manual.

The drive value represented by the FM analog output signal is determined by the setting of parameter [Analog Output Function Selection F 0 5 L](#) (see page [83](#)).

Calibrating the FM signal output to provide full scale deflection on an analog meter is achieved by adjusting parameter [Analog Output Scaling F 0](#) (see page [83](#)).


The slope and bias of the FM analog output signal can be adjusted using parameters [F 6 9 1](#) and [F 6 9 2](#). For more information, see page [84](#).

I/O Control Parameters

Logic Inputs Function

See table on page 67 for a full list of F,R and RES logic inputs assignments.

Code	Name/Description	Adjustment range	Factory setting
F 1 1 1	<input type="checkbox"/> F Logic Input Function The setting of parameter F 1 1 1 determines the control function of logic input terminal F.	0 to 72	2 (forward run command)
F 1 1 2	<input type="checkbox"/> R Logic Input Function The setting of parameter F 1 1 2 determines the control function of logic input terminal R.	0 to 72	6 (preset speed command input 1)
F 1 1 3	<input type="checkbox"/> RES Logic Input Function The setting of parameter F 1 1 3 determines the control function of logic input terminal RES.	0 to 72	10 (fault reset)

Code	Name/Description	Adjustment range	Factory setting
F 1 0 9	<input type="checkbox"/> VIA Input Function (Analog or Logic Selection) <div style="background-color: black; color: white; padding: 5px; text-align: center;">  DANGER </div> <p>UNINTENDED EQUIPMENT OPERATION</p> <ul style="list-style-type: none"> Prevent accidental grounding of logic inputs configured for sink logic. Accidental grounding can result in unintended activation of drive functions. Protect the signal conductors against damage that could result in unintentional conductor grounding. <p>Failure to follow these instructions will result in death or serious injury.</p> <p> <input type="checkbox"/> Analog input <input type="checkbox"/> Logic input - sink (negative logic) <input type="checkbox"/> Logic input - source (positive logic) </p> <p>The setting of parameter F 1 0 9 determines whether control input terminal VIA will serve as an analog input (0-10 Vdc or 0-20 mA) or as a logic input (either sink or source).</p> <p>When configuring VIA as a logic input, be sure to slide switch SW3 on the main control board to the V (voltage) position.</p> <p>When configuring VIA as a logic input using sink (negative) logic, be sure to connect a 4.7 kΩ (1/2 W) resistor between control terminals P24 and VIA.</p> <p>For more information on the use of control input terminal VIA, see ATV21 Installation manual.</p>	-	0
F 1 1 8	<input type="checkbox"/> VIA Logic Input Function The setting of parameter F 1 1 8 determines the control function of logic input terminal VIA. See table on page 67 for a full list of VIA logic input assignments.	0 to 72	7 (preset speed command input 2)

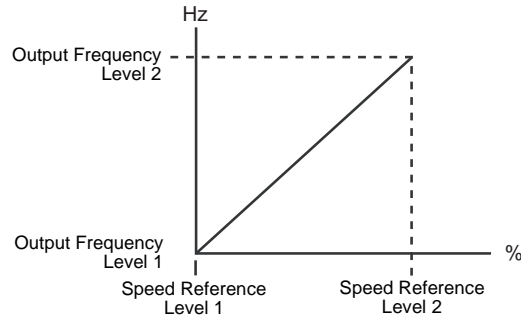
I/O Control Parameters

Analog Input Adjustments (*F 201-F 204; F 160-F 163; F 210-F 213; F 470-F 473*)

Analog Input Speed Reference and Output Frequency

Do not set the same frequency values for both output frequency levels 1 and 2. This will cause an *Err 1* fault.

When using a 4–20 mA signal, set speed reference level 1 value to 20% ($4 \div 20 = 20\%$).



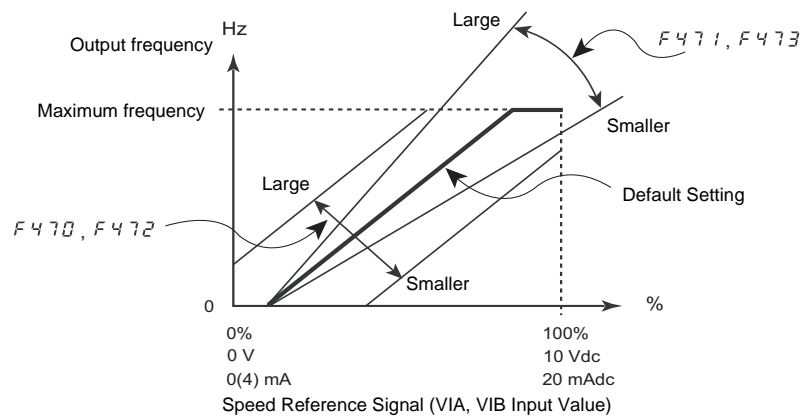
A further refinement of the bias and slope of the analog input signals can be made with parameters *F 470-F 473*.

Code	Name/Description	Adjustment range	Factory setting
<i>F 201</i>	<input type="checkbox"/> VIA speed reference level 1	0 to 100 %	0 %
<i>F 202</i>	<input type="checkbox"/> VIA output frequency level 1	0.0 to 200.0 Hz	0.0 Hz
<i>F 203</i>	<input type="checkbox"/> VIA speed reference level 2	0 to 100 %	100 %
<i>F 204</i>	<input type="checkbox"/> VIA output frequency level 2	0.0 to 200.0 Hz	50.0 Hz
<i>F 160</i>	<input type="checkbox"/> Threshold logic for relay link to VIA	0 to 100 %	0 %
<i>F 161</i>	<input type="checkbox"/> Hysteresis threshold for logic relay link to VIA	0 to 20 %	3 %
<i>F 210</i>	<input type="checkbox"/> VIB speed reference level 1	0 to 100 %	0 %
<i>F 211</i>	<input type="checkbox"/> VIB output frequency level 1	0.0 to 200.0 Hz	0.0 Hz
<i>F 212</i>	<input type="checkbox"/> VIB speed reference level 2	0 to 100 %	100 %
<i>F 213</i>	<input type="checkbox"/> VIB output frequency level 2	0.0 to 200.0 Hz	50.0 Hz
<i>F 162</i>	<input type="checkbox"/> Threshold logic for relay link to VIB	0 to 100 %	0 %
<i>F 163</i>	<input type="checkbox"/> Hysteresis threshold for logic relay link to VIB	0 to 20 %	3 %

I/O Control Parameters

Analog Input Bias and Gain Adjustments

Code	Name/Description	Adjustment range	Factory setting
F 4 7 0	<input type="checkbox"/> VIA analog input bias	0 to 255	128
F 4 7 1	<input type="checkbox"/> VIA analog input gain	0 to 255	148
F 4 7 2	<input type="checkbox"/> VIB analog input bias	0 to 255	128
F 4 7 3	<input type="checkbox"/> VIB analog input gain	0 to 255	148



Parameters **VIA analog input bias** F 4 7 0 and **VIB analog input bias** F 4 7 2 are factory set so that a minimal signal must be applied to VIA or VIB before the drive starts the motor.

- To increase the signal level required to start the motor, decrease the input bias level.
- To reduce the signal level required to start the motor, increase the input bias level.

⚠ DANGER

UNINTENDED EQUIPMENT OPERATION

If the input bias level is set too high, the drive will start the motor without a signal present at VIA or VIB.

Failure to follow this instruction can result in death or serious injury.

Parameters **VIA analog input gain** F 4 7 1 and **VIB analog input gain** F 4 7 3 are factory set so that the drive output reaches rated voltage and frequency just before the signal to VIA or VIB reaches its maximum level.

- To decrease the signal level required before the drive output reaches rated voltage and frequency, increase the input gain level.
- To increase the signal level required before the drive output reaches rated voltage and frequency, decrease the input gain level.

Note: If the input gain level is set too low, the drive output may never reach rated voltage and frequency.

I/O Control Parameters

Code	Name/Description	Factory setting																																																															
F200 0 1	<p><input type="checkbox"/> Auto/Manual Speed Reference Switching</p> <p><input type="checkbox"/> Enabled <input type="checkbox"/> Disabled</p> <p>Switching between two speed reference sources by means of a logic input is enabled if parameter F200 is set to 0.</p> <p>To use this function, you must assign a logic input to function 38, Auto/manual speed reference switching.</p> <p>When the assigned logic input is off, the drive will follow the speed reference source defined by parameter Remote Mode Primary Speed Reference Source F10d (see page 54).</p> <p>When the assigned logic input is on, the drive will follow the speed reference source defined by parameter Remote Mode Secondary Speed Reference Source F207 (see page 56).</p> <p>When parameter F200 is set to 1, the drive will follow the F10d speed reference source when it is operating above 1 Hz. Below 1 Hz, it will follow the F207 speed reference source.</p>	0																																																															
F15L	<p><input type="checkbox"/> Analog Output Function Selection</p> <table border="1"> <thead> <tr> <th>Value</th> <th>Function</th> <th>Maximum Signal</th> </tr> </thead> <tbody> <tr> <td>0</td> <td>Output frequency</td> <td>Maximum Frequency FH</td> </tr> <tr> <td>1</td> <td>Output current</td> <td>150 % of drive's rated current</td> </tr> <tr> <td>2</td> <td>Speed reference</td> <td>Maximum Frequency FH</td> </tr> <tr> <td>3</td> <td>DC bus voltage</td> <td>150 % of drive's rated current</td> </tr> <tr> <td>4</td> <td>Output motor voltage</td> <td>150 % of drive's rated current</td> </tr> <tr> <td>5</td> <td>Input power</td> <td>185 % of drive's rated current</td> </tr> <tr> <td>6</td> <td>Output power</td> <td>185 % of drive's rated current</td> </tr> <tr> <td>7</td> <td>Estimated motor torque</td> <td>250 % of rated motor torque</td> </tr> <tr> <td>8</td> <td>Motor torque current</td> <td>Current at 250 % of rated motor torque</td> </tr> <tr> <td>9</td> <td>Motor thermal state</td> <td>100 % of motor's rating</td> </tr> <tr> <td>10</td> <td>drive thermal state</td> <td>100 %</td> </tr> <tr> <td>11</td> <td>DO NOT USE</td> <td>-</td> </tr> <tr> <td>12</td> <td>Internal speed reference (after PID)</td> <td>Maximum Frequency FH</td> </tr> <tr> <td>13</td> <td>VIA input value</td> <td>Maximum input value</td> </tr> <tr> <td>14</td> <td>VIB input value</td> <td>Maximum input value</td> </tr> <tr> <td>15</td> <td>Fixed output – 100% signal (Selection 1 – output current)</td> <td>-</td> </tr> <tr> <td>16</td> <td>Fixed output – 50% signal (Selection 1 – output current)</td> <td>-</td> </tr> <tr> <td>17</td> <td>Fixed output – 100% signal (Selections 0, 2, 3, 4, 5, 6, 7, 8, 9,10, 12, 13, 14, 18)</td> <td>-</td> </tr> <tr> <td>18</td> <td>Serial communication data</td> <td>F151 = 1000</td> </tr> <tr> <td>19</td> <td>DO NOT USE</td> <td>-</td> </tr> </tbody> </table>	Value	Function	Maximum Signal	0	Output frequency	Maximum Frequency FH	1	Output current	150 % of drive's rated current	2	Speed reference	Maximum Frequency FH	3	DC bus voltage	150 % of drive's rated current	4	Output motor voltage	150 % of drive's rated current	5	Input power	185 % of drive's rated current	6	Output power	185 % of drive's rated current	7	Estimated motor torque	250 % of rated motor torque	8	Motor torque current	Current at 250 % of rated motor torque	9	Motor thermal state	100 % of motor's rating	10	drive thermal state	100 %	11	DO NOT USE	-	12	Internal speed reference (after PID)	Maximum Frequency FH	13	VIA input value	Maximum input value	14	VIB input value	Maximum input value	15	Fixed output – 100% signal (Selection 1 – output current)	-	16	Fixed output – 50% signal (Selection 1 – output current)	-	17	Fixed output – 100% signal (Selections 0, 2, 3, 4, 5, 6, 7, 8, 9,10, 12, 13, 14, 18)	-	18	Serial communication data	F151 = 1000	19	DO NOT USE	-	0
Value	Function	Maximum Signal																																																															
0	Output frequency	Maximum Frequency FH																																																															
1	Output current	150 % of drive's rated current																																																															
2	Speed reference	Maximum Frequency FH																																																															
3	DC bus voltage	150 % of drive's rated current																																																															
4	Output motor voltage	150 % of drive's rated current																																																															
5	Input power	185 % of drive's rated current																																																															
6	Output power	185 % of drive's rated current																																																															
7	Estimated motor torque	250 % of rated motor torque																																																															
8	Motor torque current	Current at 250 % of rated motor torque																																																															
9	Motor thermal state	100 % of motor's rating																																																															
10	drive thermal state	100 %																																																															
11	DO NOT USE	-																																																															
12	Internal speed reference (after PID)	Maximum Frequency FH																																																															
13	VIA input value	Maximum input value																																																															
14	VIB input value	Maximum input value																																																															
15	Fixed output – 100% signal (Selection 1 – output current)	-																																																															
16	Fixed output – 50% signal (Selection 1 – output current)	-																																																															
17	Fixed output – 100% signal (Selections 0, 2, 3, 4, 5, 6, 7, 8, 9,10, 12, 13, 14, 18)	-																																																															
18	Serial communication data	F151 = 1000																																																															
19	DO NOT USE	-																																																															
F1	<p><input type="checkbox"/> Analog Output Scaling</p> <p>Parameter F1 is used to match the FN terminal output signal with the input requirements of the attached panel meter by adjusting the slope and bias of the analog output signal. Before adjusting F1, set F15L to either 15 or 17. As you adjust the value of F1, monitor the display on the attached panel meter. When the meter display reaches 100%, press the ENT key on the drive graphic display terminal. The drive will flash between F1 and the adjusted value, indicating that the adjustment has been saved.</p>	-																																																															

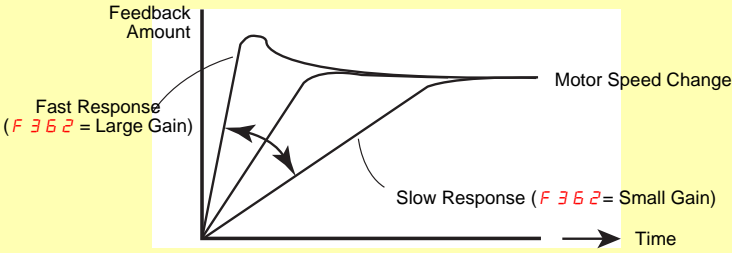
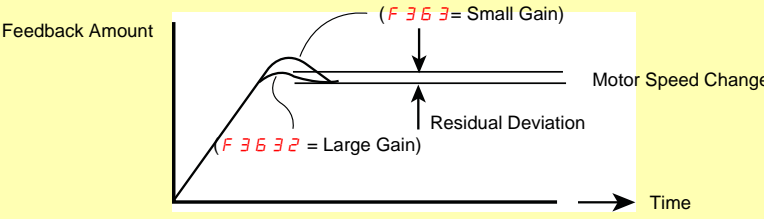
I/O Control Parameters

Code	Name/Description	Adjustment range	Factory setting
F691 0 1	<input type="checkbox"/> Analog Output Slope <input type="checkbox"/> Negative slope <input type="checkbox"/> Positive slope	-	1
F692	<input type="checkbox"/> Analog Output Bias Refer to the diagram below for examples of adjusting parameters F691 , F691 , and F692 .	0 to 100 %	0 %
F694	<input type="checkbox"/> Low frequency when analog output equal 0 V Refer to the diagram below for adjusting parameters F694 , and F695 .	0 Hz to FH Hz	0 Hz
F695	<input type="checkbox"/> High frequency when analog output equal 0 V Refer to the diagram above for adjusting parameters F694 , and F695 .	0 Hz to FH Hz	0 Hz

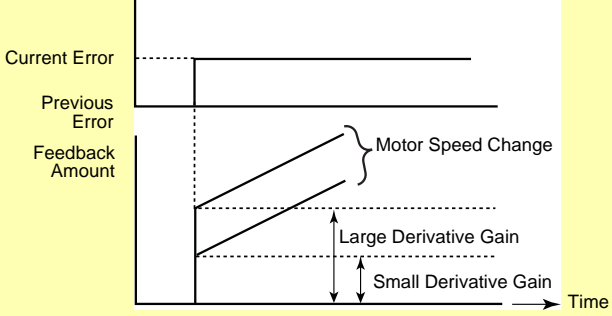
I/O Control Parameters

Code	Name/Description	Adjustment range	Factory setting
F 130	<input type="checkbox"/> RY-RC Relay Function For a full description of the various functions assignable to the RY-RC relay, see page 72 . The RY-RC relay can have a secondary assignment with programmed selection logic. See parameters RY-RC Relay Secondary Function F 137 and RY-RC Relay Function Logic Selection F 139 on page 92 for more detail.	0 to 61, 254, 255	4: F 100 speed attained (drive running)
F 146	<input type="checkbox"/> Delay for RY-RC Relay This parameter introduce a delay on RY-RC output signal relay.	0.0 to 60.0 s	0.0 s
F 132	<input type="checkbox"/> FL Relay Function For a full description of the various functions assignable to the FL relay, see page 72 .	0 to 61, 254, 255	11: Inversion of fault relay
F 147	<input type="checkbox"/> Delay for FL Relay This parameter introduce a delay on FL output signal relay.	0.0 to 60.0 s	0.0 s

I/O Control Parameters

Code	Name/Description	Adjustment range	Factory setting
F 3 6 0 0 1 2	<input type="checkbox"/> PID Control Enable <ul style="list-style-type: none"> <input type="checkbox"/> PID disabled <input type="checkbox"/> Enabled (feedback source is VIA) <input type="checkbox"/> Enabled (feedback source is VIB) <p>Parameter F 3 6 0 is used to enable PID control and define the source of the feedback signal.</p> <p>The PID source is defined by the setting of parameter Remote Mode Primary Speed Reference Source F 7 0 d (see page 54).</p> <p>Parameter Frequency Command Agreement Detection Range F 1 6 7 can be adjusted to command a drive relay to signal when the PID setpoint and feedback are in agreement (see page 93).</p>	-	0
F 3 6 2	<input type="checkbox"/> PID Proportional Gain <p>Parameter F 3 6 2 adjusts the proportional gain applied during PID control. The speed change applied to the motor is a correctional value proportional to the product of this parameter's setting and the process error (deviation between the setpoint and the feedback value).</p> <p>A higher setting of F 3 6 2 provides a fast response to a process error but may also result in instability such as hunting. The diagram below illustrates the effect produced by adjusting F 3 6 2.</p> 	0.01 to 100.0 %	0.30 %
F 3 6 3	<input type="checkbox"/> PID Integral Gain <p>Parameter F 3 6 3 adjusts the integral gain applied during PID control. Any residual process errors that remain after correction by the proportional gain are cleared to zero over time by the integral gain function.</p> <p>A higher setting of F 3 6 3 provides a fast response to a process error but may also result in instability such as hunting. The diagram below illustrates the effect produced by adjusting F 3 6 3.</p>  <p>The integral gain value can be set to zero by setting a logic input to function 65. For more information, see table on page 67 and parameters F 1 1 1, F 1 1 2, F 1 1 3, page 80, and F 1 1 8, page 80.</p>	0.01 to 100.0	0.20

I/O Control Parameters

Code	Name/Description	Adjustment range	Factory setting
F 366	<input type="checkbox"/> PID Derivative Gain <p>Parameter F 366 adjusts the derivative gain applied during PID control. This gain adjusts the response time of the drive to rapid changes in the process.</p> <p>Increasing the setting of F 366 more than necessary may cause great fluctuations in motor speed resulting in system instability. The diagram below illustrates the effect produced by adjusting F 366.</p> 	0.00 to 2.55	0.00
F 359	<input type="checkbox"/> PID Control Waiting Time <p>If parameter F 359 is set to a value greater than 0 seconds, the drive will not immediately enter PID control upon startup. For the time set by F 359, the drive will ignore the feedback signal, accelerating the motor to the speed set by the reference input. This function can be used to prevent the drive from entering PID control mode before the system approaches the final operating level.</p>	0 to 2400 seconds	0
F 380 0 1	<input type="checkbox"/> PI regulator reversal direction correction <input type="checkbox"/> No <input type="checkbox"/> Yes		0
F 391	<input type="checkbox"/> Stop on LL hysteresis	0.0 to F H	0.2 Hz
F 392	<input type="checkbox"/> PI wake up threshold on PI error	0.0 to F H	0.0 Hz
F 393	<input type="checkbox"/> PI wake up threshold on PI feedback error	0.0 to F H	0.0 Hz

I/O Control Parameters

Code	Name/Description	Adjustment range	Factory setting
F 6 4 5	<input type="checkbox"/> PTC Motor Thermal Protection Enable <ul style="list-style-type: none"> <input type="checkbox"/> Disabled <input type="checkbox"/> Enabled (fault mode). If F 9 1 1 is set to 1 and the PTC probe signals a problem, the drive will fault and display an D H 2 code. <input type="checkbox"/> Enabled (alarm mode). If F 9 1 1 is set to 2 and the PTC probe signals a problem, the drive will signal a fault and continue operating. <p>Setting parameter F 6 4 5 to 1 or 2 converts control terminal VIB into a PTC motor thermal probe input. See the ATV21 Installation manual, for wiring details.</p>	-	0
F 6 4 6	<input type="checkbox"/> PTC Resistor Value	100 to 9999 Ω	3000 Ω

I/O Control Parameters

Always Active Logic Function

WARNING

LOSS OF CONTROL

- The designer of any control scheme must consider the potential failure modes of control paths and, for certain critical control functions, provide a means to achieve a safe state during and after a path failure. Examples of critical control functions are emergency stop and overtravel stop.
- Separate or redundant control paths must be provided for critical control functions.
- System control paths may include communication links. Consideration must be given to the implications of unanticipated transmission delays or failures of the link.
- Each implementation of an Altivar 21 drive must be individually and thoroughly tested for proper operation before being placed into service.

Failure to follow these instructions can result in death, serious injury, or equipment damage.

Two logic input functions can be configured to be always active. The logic input functions assigned to parameters *F 108* and *F 110* will continuously affect drive operation. See table beginning on page [67](#) for a list of available logic input functions.

Code	Name/Description	Adjustment range	Factory setting
<i>F 108</i>	<input type="checkbox"/> Always Active Logic Function 1	0 to 72	0 (no function)
<i>F 110</i>	<input type="checkbox"/> Always Active Logic Function 2	0 to 72	1 (run permissive)

I/O Control Parameters

Preset Speeds (*Sr 1* – *Sr 7*)

A maximum of seven preset speeds can be selected by 4 logic inputs (F, R, RES, or VIA). Preset speed control is only active when the drive is in logic input control (*CnOd* = 0).

For one preset speed, assign a logic input to function 6.

For up to three preset speeds, use two logic inputs for functions 6 and 7.

For up to seven preset speeds, use three logic inputs for functions 6, 7, and 8.

Preset speed commands take priority over speed commands from any other source. For more information on preset speeds, see page [67](#). See page [27](#), for wiring instructions and timing diagram.

Code	Name/Description	Adjustment range	Factory setting
<i>Sr 1</i>	<input type="checkbox"/> Preset speed 1	<i>LL</i> to <i>UL</i> Hz	15 Hz
<i>Sr 2</i>	<input type="checkbox"/> Preset speed 2	<i>LL</i> to <i>UL</i> Hz	20 Hz
<i>Sr 3</i>	<input type="checkbox"/> Preset speed 3	<i>LL</i> to <i>UL</i> Hz	25 Hz
<i>Sr 4</i>	<input type="checkbox"/> Preset speed 4	<i>LL</i> to <i>UL</i> Hz	30 Hz
<i>Sr 5</i>	<input type="checkbox"/> Preset speed 5	<i>LL</i> to <i>UL</i> Hz	35 Hz
<i>Sr 6</i>	<input type="checkbox"/> Preset speed 6	<i>LL</i> to <i>UL</i> Hz	40 Hz
<i>Sr 7</i>	<input type="checkbox"/> Preset speed 7	<i>LL</i> to <i>UL</i> Hz	45 Hz

I/O Control Parameters

+/- Speed Control Parameters

+/- speed (motorized potentiometer) control is selected by setting parameter *F 0 0 4* or *F 2 0 7* to 5 (see pages 54 and 56). Two logic inputs are required, one to increase the speed command (logic input function 41) and one to decrease the speed command (logic input function 42). Logic input function 43 clears the speed reference value accumulated by the +/- speed logic inputs.

Parameters *F 2 6 4* – *F 2 6 9* refine the operation of +/- speed control.

The ratio of parameter *F 2 6 5* to parameter *F 2 6 4* determines the (+) speed command slope:

$$\text{(+) speed command slope} = F 2 6 5 / F 2 6 4$$

The ratio of parameter *F 2 6 7* to parameter *F 2 6 6* determines the (-) speed command slope.

$$\text{(-) speed command slope} = F 2 6 7 / F 2 6 6$$

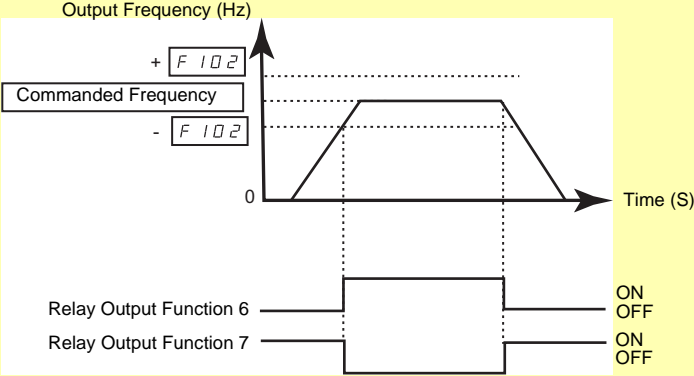
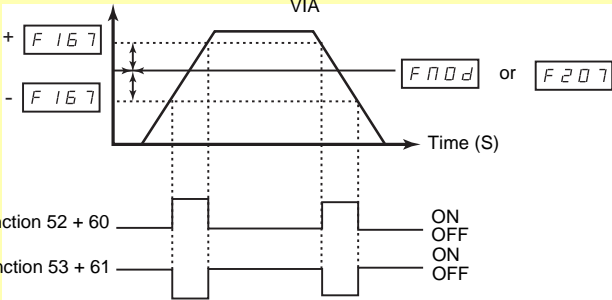
For more detail, see page 69.

Code	Name/Description	Adjustment range	Factory setting
<i>F 2 6 4</i>	<input type="checkbox"/> +Speed Logic Input Response Time Parameter <i>F 2 6 4</i> sets the maximum on-time of the logic input assigned to (+) speed, limiting the speed increase, as defined by parameter <i>F 2 6 5</i> , to only one step. Keeping the logic input active longer than the time set by parameter <i>F 2 6 4</i> will allow multiple step increases of the speed command.	0.0 to 10.0 seconds	0.1 seconds
<i>F 2 6 5</i>	<input type="checkbox"/> +Speed Frequency Steps Parameter <i>F 2 6 5</i> sets the frequency width in Hz of each (+) speed command step.	0.0 to <i>F H</i> Hz	0.1 Hz
<i>F 2 6 6</i>	<input type="checkbox"/> -Speed Logic Input Response Time Parameter <i>F 2 6 6</i> sets the maximum on-time of the logic input assigned to (-) speed, limiting the speed decrease, as defined by parameter <i>F 2 6 7</i> , to only one step. Keeping the logic input active longer than the time set by parameter <i>F 2 6 6</i> will allow multiple step decreases of the speed command.	0.0 to 10.0 seconds	0.1 seconds
<i>F 2 6 7</i>	<input type="checkbox"/> -Speed Frequency Steps Parameter <i>F 2 6 7</i> sets the frequency width in Hz of each (-) speed command step.	0.0 to <i>F H</i> Hz	0.1 Hz
<i>F 2 6 8</i>	<input type="checkbox"/> Initial +/- Speed Command Parameter <i>F 2 6 8</i> sets the +/- speed command in Hz that is applied to the drive when it is first powered up. Leaving this parameter at its default value will result in the drive's output frequency starting at 0 Hz every time it is powered up.	0.0 to <i>F H</i> Hz	0.0 Hz
<i>F 2 6 9</i>	<input type="checkbox"/> Change of Initial +/- Speed Frequency <input type="checkbox"/> Disabled <input type="checkbox"/> Enabled The setting parameter <i>F 2 6 9</i> determines whether the value of parameter <i>F 2 6 8</i> will change every time power is cycled to the drive. If parameter <i>F 2 6 9</i> is set to 1, parameter <i>F 2 6 8</i> will be set to the last speed command received by the drive before power was removed.	-	1

I/O Control Parameters

Code	Name/Description	Adjustment range	Factory setting
F 137	<input type="checkbox"/> RY-RC Relay Secondary Function The RY-RC relay can be set to signal a secondary condition. The primary RY-RC relay function is set by parameter F 130 (see page 85). See table beginning on page 72 for a full description of the primary and secondary functions that can be assigned to the RY-RC relay.	0 to 61, 254, 255	255 (always on)
F 139 0 1	<input type="checkbox"/> RY-RC Relay Function Logic Selection <input type="checkbox"/> F 130 (primary) and F 137 (secondary) <input type="checkbox"/> F 130 (primary) or F 137 (secondary) The RY-RC relay can be configured to energize when either: Both the primary AND secondary conditions are met (true) (F 139 = 0), or Only one OR the other is met (true) (F 139 = 1)	-	0
F 100	<input type="checkbox"/> Relay Output – Frequency Level 1 Attained The frequency set by parameter F 100 is the threshold level for relay output functions 4 and 5 (see page 72).	0.0 to F H Hz	0.0 Hz
F 101	<input type="checkbox"/> Relay Output – Frequency Level 2 Attained The frequency set by parameter F 101 +/- the F 102 detection band is the threshold level for relay output functions 8 and 9 and the hysteresis for relay output functions 66 and 67 (see page 72).	0.0 to F H Hz	0.0 Hz

I/O Control Parameters

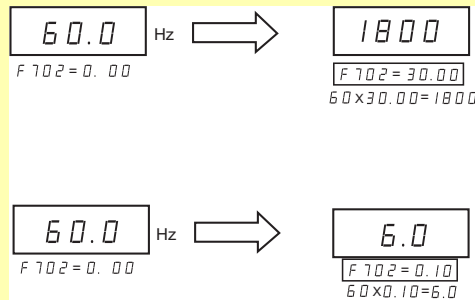
Code	Name/Description	Adjustment range	Factory setting
F 102	<input type="checkbox"/> Frequency Attained Detection Band Parameter F 102 determines the bandwidth around the F 101 frequency (see diagram above) and the commanded frequency (see diagram below) driving relay output functions 6 through 9 (see page 72). 	0.0 to F H Hz	2.5 Hz
F 167	<input type="checkbox"/> Frequency Command Agreement Detection Range Parameter F 167 determines the bandwidth around the VIA or VIB speed reference (see below) driving relay output functions 52, 53, 60, and 61 (see page 76). This function can be used to signal whether the amount of processing and the amount of feedback agree when the PID function is in use. 	0.0 to F H Hz	2.5 Hz
F 603 0 1 2	<input type="checkbox"/> External Fault Stop Mode <input type="checkbox"/> Freewheel stop <input type="checkbox"/> Ramp stop <input type="checkbox"/> DC injection braking The setting of parameter F 603 determines how the drive will stop if a logic input assigned to function 11 or 46 is activated (see table on pages 68 and 69).	-	0
F 604	<input type="checkbox"/> External Fault DC Braking Time If parameter F 603 is set to 2, parameter F 604 will determine how long DC current will be injected into the motor while the external fault logic input is active.	0.0 to 20 seconds	1.0 seconds

Display Parameters

Code	Name/Description	Adjustment range	Factory setting
F 7 1 0 0 1 2 3 4 5 6 7 8 9 10	<input type="checkbox"/> Default graphic display terminal Operational Value <ul style="list-style-type: none"> <input type="checkbox"/> Motor operating frequency (Hz or custom display, see Custom Frequency Display Conversion Factor F 7 0 2 on page 95) <input type="checkbox"/> Speed reference (Hz or custom display, see F 7 0 2 on page 95) <input type="checkbox"/> Motor current (% or A, see F 7 0 1 below) <input type="checkbox"/> Drive rated current (A) <input type="checkbox"/> Drive thermal state (%) <input type="checkbox"/> Output power (kW) <input type="checkbox"/> Internal speed reference (after PID function) (Hz or custom display, see F 7 0 2 on page 95) <input type="checkbox"/> Serial communication data <input type="checkbox"/> Output speed (rpm, see Motor Rated Speed F 4 1 7 on page 48) <input type="checkbox"/> Displays the total number of frames received by the communication card since the last power ON <input type="checkbox"/> Displays the total number of valid frames received by the communication card since the last power ON <p>The setting of parameter F 7 1 0 determines the default display on the drive's graphic display terminal upon power up.</p> <p>Status alarms C, P, L, and H can only be displayed on the graphic display terminal if F 7 1 0 is set to 0. See "Run Mode" on page 19 for more information.</p>	0 to 10	0
F 7 0 1 0 1	<input type="checkbox"/> Graphic display terminal : % or A/V Units <ul style="list-style-type: none"> <input type="checkbox"/> % <input type="checkbox"/> A (amperes) or V (volts) <p>The setting of parameter F 7 0 1 determines how certain values will be displayed on the drive graphic display terminal, either as a percentage of the drive rating or as a value of amperes or volts as appropriate.</p> <p>The setting of F 7 0 1 will only affect parameters and display values that can be represented in amperes or volts. This includes the following parameters:</p> <ul style="list-style-type: none"> - E H r and F 1 7 3: motor rated current - F 2 5 1: DC braking current level - F 1 8 5 and F 6 0 1: motor current limit - F 6 1 1: underload detection level - F 9 1 0: permanent magnet motor step-out detection current level <p>Motor rated voltage (parameters u 1 u and F 1 7 1) are always displayed in volts.</p>	-	1
F 7 0 8 0 1 to 255	<input type="checkbox"/> Graphic display terminal Frequency Resolution <ul style="list-style-type: none"> <input type="checkbox"/> Disabled - 0.1 Hz steps <input type="checkbox"/> See the formula below <p>Parameter F 7 0 8 works along with parameter Local Mode Speed Reference Step Changes F 7 0 7 (see page 55) to adjust the incremental steps of the drive graphic display terminal frequency display.</p> <p>At its factory setting, parameter F 7 0 8 is disabled and the graphic display terminal increments or decrements frequency displays in 0.1 Hz steps.</p> <p>If parameter F 7 0 8 is set to a value other than 0, then the graphic display terminal frequency display is determined as follows:</p> <p>graphic display terminal frequency display = Internal speed reference (after PID function) x $F 7 0 8 / F 7 0 7$</p> <p>For example, if both F 7 0 7 and F 7 0 8 are equal to 1, the graphic display terminal frequency display will increase only in full 1 Hz steps.</p>	-	0

Display Parameters

Code	Name/Description	Adjustment range	Factory setting
F 6 2 1	<input type="checkbox"/> Run Time Alarm Setting Parameter F 6 2 1 is used in conjunction with a relay output set to functions 42 or 43 (see page 75) to signal that the run time specified by the setting of F 6 2 1 has accumulated. 0.1 = 1 hour, 100 = 1000 hours	0.0 to 999.9	610.0 (6100 hours)
F 7 4 8 0 1	<input type="checkbox"/> Accumulated Power Consumption Memory <input type="checkbox"/> Disabled <input type="checkbox"/> Enabled The setting of parameter F 7 4 8 determines whether the drive's accumulated power consumption memory, displayed in kilowatt-hours (kWh), is cleared when the line power is cycled. If F 7 4 8 is set to 0, the memory is cleared. If set to 1, the kWh memory is retained.	-	1
F 7 4 9 0 1 2 3	<input type="checkbox"/> Accumulated Power Consumption Display Unit <input type="checkbox"/> 1 kWh <input type="checkbox"/> 0.1 kWh <input type="checkbox"/> 0.01 kWh <input type="checkbox"/> 0.001 kWh The setting of parameter F 7 4 9 determines the scaling of the kWh display on the graphic display terminal.	According to drive model (see table page 128).	0
F 7 0 2	<input type="checkbox"/> Custom Frequency Display Conversion Factor Parameters F 7 0 2 , F 7 0 5 , and F 7 0 6 can be used to customize a speed display on the drive graphic display terminal to match the application's operational speed, for example, feet per minute or units per hour. 0.00: Frequency displayed in Hz 0.0If parameter F 7 0 2 is set to a value other than 0.00, the frequency value displayed will be calculated as follows: Value displayed = display or parameter frequency x F 7 0 2 . See example below. 1 to 200.0: Conversion factor	0.00 to 200.0	0.00
F 7 0 3 0 1	<input type="checkbox"/> Frequency free unit conversion selection <input type="checkbox"/> All frequencies display free unit <input type="checkbox"/> PID frequencies free unit conversion		0



Display Parameters

Code	Name/Description	Adjustment range	Factory setting
F 705 0 1	<input type="checkbox"/> Custom Frequency Display Conversion Slope <input type="checkbox"/> Negative slope <input type="checkbox"/> Positive slope Parameter F 705 sets the slope of the custom frequency display conversion. See the diagrams below for examples of the operation of this function.	-	1
F 706	<input type="checkbox"/> Custom Frequency Display Conversion Bias Parameter F 706 adds a bias to the custom frequency display conversion process. <div style="text-align: center;"> </div>	0.00 to F H Hz	0.00 Hz

Fault Management Parameters

Code	Name/Description	Factory setting
F 303 0 1 to 10	<input type="checkbox"/> Auto Fault Reset <input type="checkbox"/> Disabled <input type="checkbox"/> Number of fault reset attempts	0

Description

The table below lists the faults that can be cleared with Auto fault reset. If parameter **F 303** is set to a value greater than 0 and one of these faults occurs, the drive will attempt to automatically clear the fault, allowing it to be restarted:

Automatically Resettable Faults

Code	Fault	Code	Fault
OC 1	Overcurrent during acceleration	OL 1	drive overload
OC 2	Overcurrent during deceleration	OL 2	Motor overload
OC 3	Overcurrent during constant speed operation	OP 1	Overvoltage during acceleration
OC 1P	Short-circuit or ground fault during acceleration	OP 2	Overvoltage during deceleration
OC 2P	Short-circuit or ground fault during deceleration	OP 3	Overvoltage during constant state operation
OC 3P	Short-circuit or ground fault during constant speed operation	SOUt	Permanent magnet motor pulls out of synchronism
OH	drive overtemperature fault		–

Auto fault reset attempts will continue until the number of attempts set by parameter **F 303** has been exhausted.

If these attempts do not clear the fault condition, the drive will stop and a manual fault reset will be required.

If another type of fault (a type not listed in Automatically Resettable Faults table above) occurs during the auto fault reset process, the drive will stop and a manual fault reset will be required.

A successful auto fault reset means that the drive accelerates the motor to the commanded speed without another fault occurring.

If an unspecified period of time elapses after a successful auto fault reset attempt without another fault occurring, the reset attempt counter will clear allowing another full set of reset attempts to be made during a future fault occurrence.

During the auto fault reset process, the drive graphic display terminal alternately displays **r t r y** and the display value selected by parameter **F 710** (see page 94).

Conditions permitting auto fault reset

An auto fault reset attempt will not be made if the cause of the fault persists.

In the case of an **OL 1** or **OL 2** fault, the drive will calculate the cooling time necessary to clear the fault.

In the event of an **OH** fault, the heatsink temperature probe will indicate when the fault can be cleared.

DC bus voltage measurements will indicate when an **OP 1**, **OP 2**, or **OP 3** fault can be cleared.

Fault Management Parameters

Time delay

The first fault reset is attempted 1 second after the fault occurs. Each subsequent fault reset attempt adds 1 second to the time interval, as illustrated in the table below.

Fault Reset Attempts

Attempt number	Time delay between fault reset attempt and most recent fault
1	1 second
2	2 seconds
3	3 seconds
4	4 seconds
5	5 seconds
6	6 seconds
7	7 seconds
8	8 seconds
9	9 seconds
10	10 seconds

Fault relay action

An output relay set to functions 10 and 11 (see table on page [72](#)) will not indicate a fault until all fault reset attempts have been exhausted. Output relay functions 28 and 29 can be used to indicate that an auto-resettable fault has occurred. Output relay functions 36 and 37 can be used to signal any kind of drive fault, even during auto fault reset attempts.

Drive fault memory

If parameter **Drive Fault Memory** `F 6 0 2` is set to 1 and power to the drive is cycled while an auto-resettable fault is active, the auto fault reset action will be cancelled (see page [100](#)).

Fault Management Parameters

Catch On The Fly (*F 30 1*)

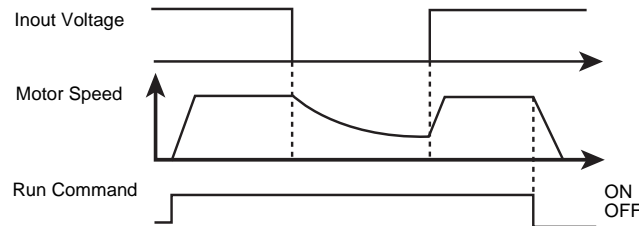
If catch-on-the-fly motor starting is enabled (parameter *F 30 1* is not set to 0), the drive will detect the motor's rotating direction and speed before applying power. This will result in a smooth reapplication of power to a coasting motor without high current or torque pulses.

If *F 30 1* is disabled and the drive is started into a spinning motor, it will apply a low starting frequency to the motor, operating in current limit until the motor almost stops. Then, the drive will accelerate the motor to the commanded speed.

Catch-on-the-fly motor starting will be applied if *F 30 1* is set to 1 or 3 and:

- There is a brief power loss (the graphic display terminal does not go blank) that results in the drive removing power from the motor,
- and, there is a continuous run command to the drive (2-wire control)

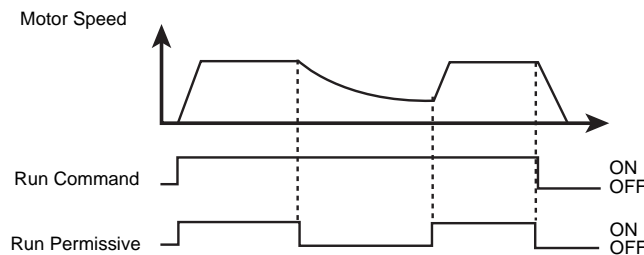
F 30 1 Set to 1 or 3



Catch-on-the-fly motor starting will be applied if *F 30 1* is set to 2 or 3 and:

- The run permissive (logic input assigned to functions 1 or 54) is removed and restored,
- and, there is a continuous run command to the drive (2-wire control)

F 30 1 Set to 2 or 3



If *F 30 1* is set to 4, the drive will perform a motor speed and direction search each time it receives a run command.

Note: Enabling catch-on-the-fly adds about 300 milliseconds to implementation of each start command to the drive.

Do not use catch-on-the-fly if there is more than one motor supplied by the drive.

Code	Name/Description	Factory setting
<i>F 30 1</i>	<input type="checkbox"/> Catch On The Fly	3 (1)
0	<input type="checkbox"/> Disable	
1	<input type="checkbox"/> After brief power loss	
2	<input type="checkbox"/> After run permissive is restored	
3	<input type="checkbox"/> After brief power loss or run permissive is restored	
4	<input type="checkbox"/> During every startup	

(1) Catch-on-the-fly motor starting after a drive fault is always active if auto fault reset is enabled (parameter **Auto Fault Reset** *F 30 3* is not set to 0, see page 97).

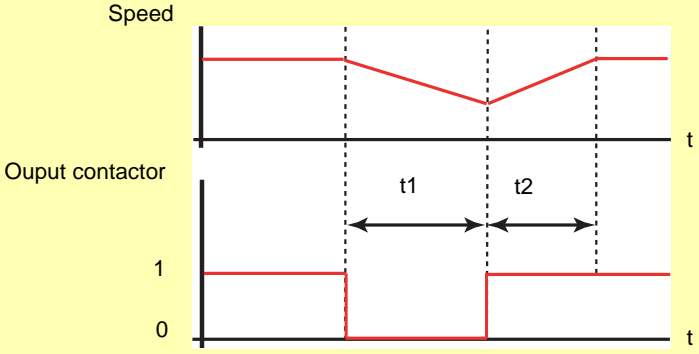
Fault Management Parameters

Code	Name/Description	Factory setting
F 6 3 2 0 1	<input type="checkbox"/> Motor Overload Memory <input type="checkbox"/> Cleared If parameter F 6 3 2 is set to 0, the drive's memory of the motor's thermal state (used for overload calculation) is cleared whenever the power is cycled. <input type="checkbox"/> Retained If parameter F 6 3 2 is set to 1, the drive's memory of the motor's thermal state is retained even when power is removed. If the drive is faulted on an Motor Overload Fault D L 2 , a cooling time (as calculated by the drive) must expire before the motor can be restarted.	0
F 6 0 2 0 1	<input type="checkbox"/> Drive Fault Memory <input type="checkbox"/> Cleared If parameter F 6 0 2 is set to 0 and power to the drive is cycled after a fault: <ul style="list-style-type: none"> - If the cause of the fault has been eliminated, the drive will reset and can be started. Information about the fault just cleared will be transferred to the fault history. - If the cause of the fault has not been eliminated, the fault will be displayed again but the drive's memory of the operational information associated with the fault will be transferred to the fault history. - Information about the 4th most recent fault will be eliminated from the fault history. <input type="checkbox"/> Retained If parameter F 6 0 2 is set to 1 and power to the drive is cycled after a fault: <ul style="list-style-type: none"> - If the cause of the fault has been eliminated, the drive will reset and can be started. Information about the fault just cleared will be transferred to the fault history. - If the cause of the fault has not been eliminated, the original fault code and all of its operational data will be available for viewing as the current fault in the monitoring mode. - Information about the 4th most recent fault will be retained in the fault history. - Auto fault reset will be disabled. 	0
F 6 0 8 0 1	<input type="checkbox"/> Input Phase Failure Detection Mode <input type="checkbox"/> Disabled If parameter F 6 0 8 is set to 0, input phase failure detection is disabled. Loss of one input phase will not cause the drive to fault. <input type="checkbox"/> Enabled If parameter F 6 0 8 is set to 1, the loss of one input phase will cause an E P H 1 fault.	1
F 3 0 2 0 1 2	<input type="checkbox"/> Input Phase Loss <input type="checkbox"/> Disabled If parameter F 3 0 2 is set to 0 and the drive briefly loses input power, it may not fault but may instead experience a momentary reduction of motor voltage and/or current and then resume normal operation once full input power is restored. <input type="checkbox"/> DO NOT SELECT <input type="checkbox"/> Freewheel If parameter F 3 0 2 is set to 2 and the drive briefly loses input power, the drive will remove power from the motor and allow it to coast to a stop. The graphic display terminal will flash S E O P . The drive can only be restarted by providing a new run command. <div style="text-align: center; margin-top: 10px;"> <p>Input Voltage</p> <p>Motor Speed</p> </div>	0

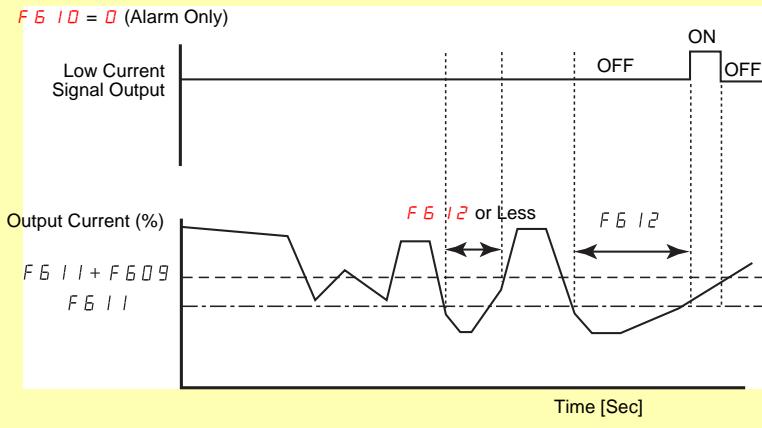
Fault Management Parameters

Code	Name/Description	Adjustment range	Factory setting
F 6 2 7	<input type="checkbox"/> Undervoltage Fault Operation Mode	-	0
0	<input type="checkbox"/> Alarm only (detection level below 60 %) <p>If parameter F 6 2 7 is set to 0 and the supply voltage drops below 60% of its rated value, the drive will stop and indicate a fault code on the graphic display terminal, but it will not activate a fault relay. If the supply voltage rises above 60% of its rated value, the fault code on the graphic display terminal will be cleared without a fault reset action and the drive will be ready to operate.</p>		
1	<input type="checkbox"/> Fault (detection level below 60 %) <p>If parameter F 6 2 7 is set to 1 and the supply voltage drops below 60% of its rated value, the drive will fault and will require a reset action to clear the fault before it can be restarted.</p>		
2	<input type="checkbox"/> Alarm only (detection level below 50 %) <p>If parameter F 6 2 7 is set to 2 and the supply voltage drops below 50% of its rated value, the drive will stop and indicate a fault code on the graphic display terminal, but it will not activate a fault relay. If the supply voltage rises above 50% of its rated value, the fault code on the graphic display terminal will be cleared without a fault reset action and the drive will be ready to operate.</p> <p>The use of a line reactor is required if parameter F 2 6 7 is set to 2.</p>		
F 3 0 5	<input type="checkbox"/> Overvoltage Fault Protection	-	2
0	<input type="checkbox"/> Enabled <p>If parameter F 3 0 5 is set to 0, and the drive detects an impending DC bus overvoltage fault, it will automatically take one of the following actions:</p> <ul style="list-style-type: none"> - Increase the deceleration time - Keep the motor at a steady speed - Increase the motor speed 		
	<p style="text-align: right;">F 6 2 6 : Over-Voltage Fault Operation Level</p>		
1	<input type="checkbox"/> Disabled <p>If parameter F 3 0 5 is set to 1, the drive will take no action to avoid a DC bus overvoltage fault.</p>		
2	<input type="checkbox"/> Enabled (quick deceleration mode) <p>If parameter F 3 0 5 is set to 2, and the drive detects an impending DC bus overvoltage fault, it will increase the V/Hz ratio of the power applied to the motor. Motor over-excitation is used to dissipate regenerative energy into the motor instead of the drive.</p>		
3	<input type="checkbox"/> Enabled (dynamic quick deceleration mode) <p>If parameter F 3 0 5 is set to 3, the drive will increase the V/Hz ratio of the power applied to the motor as soon as slow down begins instead of waiting for the DC bus voltage to approach the fault level.</p> <p>When motor speed is being reduced, a DC bus overvoltage fault can often be caused by regenerated energy being absorbed by the drive from the load and motor.</p>		
F 6 2 6	<input type="checkbox"/> Overvoltage Fault Operation Level	100 to 150 % of nominal DC bus voltage	140 %
	<p>Parameter F 6 2 6 sets the DC bus voltage level at which the actions defined by parameter F 3 0 5 take place. See diagram above for more details.</p>		

Fault Management Parameters

Code	Name/Description	Factory setting
F605	<p>Output Phase Failure Detection Mode</p> <p>If output phase failure detection is enabled and an output phase failure persists for more than 1 second, the drive will fault and display the EPHO fault code.</p> <ul style="list-style-type: none"> 0 Disabled. If parameter F605 is set to 0, output phase failure detection is disabled. 1 At the first start-up. If parameter F605 is set to 1, an output phase failure check is made only during the first motor start-up after power is applied to the drive. 2 At every start-up. If parameter F605 is set to 2, an output phase failure check is made every time the motor is started. 3 During operation. If parameter F605 is set to 3, continuous output phase failure monitoring is performed while the motor is running. 4 At start-up and during operation. If parameter F605 is set to 4, monitoring for an output phase failure is performed at motor start-up and continuously during operation. 5 Load side disconnect mode. Setting 5 for parameter F605 is for applications with a load side disconnect. The drive will automatically restart the motor if the following are true: <ul style="list-style-type: none"> - An all-phase failure has been detected (an output contactor or a load side disconnect has opened) - The drive detects that a 3-phase connection has been reestablished (the output contactor or load side disconnect has closed). It is necessary to wait 1 s between disconnection and connection. See following scheme to have an example of loss of output contactor.  <p>t1: deceleration without ramp (freewheel) t2: acceleration with ramp</p> <ul style="list-style-type: none"> - A valid run command exists <p>An output phase failure detection sweep is made as part of the auto-tuning process, regardless of the setting of parameter F605. High-speed motors and other special motors may cause nuisance output phase failure faults.</p>	3

Fault Management Parameters

Code	Name/Description	Adjustment range	Factory setting
F610	<input type="checkbox"/> Underload Fault/Alarm Selection <p> <input type="checkbox"/> Alarm. If parameter F610 is set to 0, relay output functions 24 or 25 (see page 73) can be used to signal an underload condition without the drive faulting. <input type="checkbox"/> Fault. If parameter F610 is set to 1 and the loading level drops below the setting of F611 for a period of time longer than that set by F612, the drive will fault, displaying fault code UC. The fault relay will be set if one has been defined (relay output functions 10 or 11, see page 68). A relay assigned to signal an underloaded condition (functions 24 or 25, see page 68) will also be set. </p> <p>The drive's response to an underload condition is set by parameters F609, F610, F611, and F612. The setting of parameter F610 determines whether an underload condition signals an alarm with an output relay or faults the drive.</p> <p>The sum of parameters F609 and F611 determines the drive loading level that will clear an underload alarm/fault.</p> <p>Parameter F612 determines how long the drive can be under load before an alarm or fault is signaled. See parameters F609, F610, F611 and F612 diagram below for more details.</p> 	-	0
F611	<input type="checkbox"/> Underload Detection Level <p>Parameter F611 sets the underload detection level.</p>	0 to 100 % (1)	0 %
F609	<input type="checkbox"/> Underload Detection Level Bandwith	1 to 20 % (2)	10 %
F612	<input type="checkbox"/> Underload Detection Time	0 to 255 s	0 s

(1) Percentage of the drive's current rating. Display can also be in amperes, depending on setting of parameter [Graphic display terminal : % or A/V Units F701](#) (see page 94).

(2) Percentage of [Underload Detection Level F611](#) setting

Fault Management Parameters

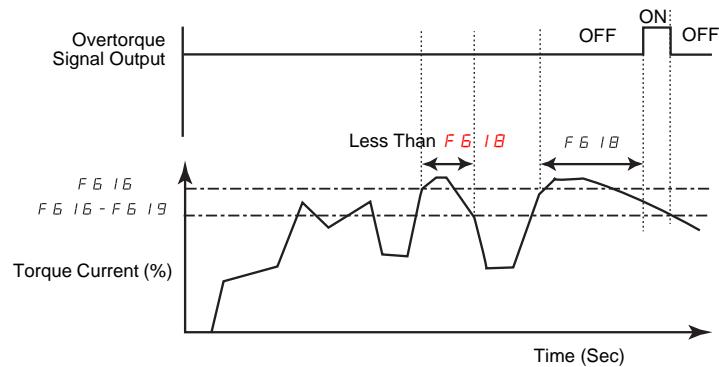
Code	Name/Description	Adjustment range	Factory setting
F 6 3 3 0 1 to 100	<input type="checkbox"/> Loss of VIA Analog Signal <input type="checkbox"/> Disabled. If parameter F 6 3 3 is set to 0, the drive will not monitor for loss of signal at analog input terminal VIA <input type="checkbox"/> Fault detection level. If parameter F 6 3 3 is set to a value greater than 0 and: - The signal at VIA drops below the fault detection level selected, - and, the low signal level persists for 300 milliseconds or longer, the drive will fault and the graphic display terminal will display the fault code E - 1 B .	0 to 100 % (1)	0 %
F 6 4 4 0 1 2 3 4	<input type="checkbox"/> Drive behaviour on 4-20 event <input type="checkbox"/> No <input type="checkbox"/> Freewheel: freewheel stop and alarm <input type="checkbox"/> Fallback speed: switch to fallback speed. Maintained as long as the fault is present and the run command is not disabled. See parameter F 6 4 9 for fallback speed. <input type="checkbox"/> Speed maintain: the drive maintains the speed being applied when the fault occurred, as long as the fault is present and the run command is not disabled. <input type="checkbox"/> Ramp stop		0
F 6 4 9	<input type="checkbox"/> Fallback speed See parameter F 6 4 4 .	0.0 to F H	0.0 Hz
F 6 1 3 0 1 2 3	<input type="checkbox"/> Output Short-Circuit Detection Mode <input type="checkbox"/> Each time a RUN command is given (standard pulse) <input type="checkbox"/> Only one time after power is turned on (standard pulse) <input type="checkbox"/> Each time a RUN command is given (short-time pulse) <input type="checkbox"/> Only one time after power is turned on (short-time pulse) The setting of parameter F 6 1 3 determines how the drive determines an output short-circuit during start-up. Select the short-time pulse if the drive is powering a low impedance motor.	-	0

(1)Percentage of maximum VIA signal level

Fault Management Parameters

Overtorque Detection

The drive's response to a particular motor torque level is determined by the setting of parameters **F615** – **F619**.



Code	Name/Description	Adjustment range	Factory setting
F615 0 1	<input type="checkbox"/> Overtorque Fault/Alarm Selection <input type="checkbox"/> Alarm. If parameter F633 is set to 0, the drive will not monitor for loss of signal at analog input terminal VIA <input type="checkbox"/> Fault. If parameter F615 is set to 1 and the drive faults, the overtorque signal output will remain latched on until the fault is reset. Depending on the setting of parameter F615 , the drive can use output relay function 12 or 13 (see table on pages 72) to signal an overtorque alarm or fault (0E fault code).	-	0
F616	<input type="checkbox"/> Overtorque Detection Level The setting of parameter F616 determines the level at which the drive will act upon a motor overtorque condition (see diagrams above and below).	0 to 250 % of nominal rated motor torque	130 %
	<p>The graph illustrates the drive's response to motor torque. The y-axis represents Torque Current (%) and the x-axis represents Time (Sec). A horizontal line indicates the Overtorque Pre-Alarm Signal Output, which is OFF when torque is normal and ON when it reaches 70% of the detection level. The detection level is defined by parameters F616 and F619. A hysteresis band of F618 is shown between the ON and OFF levels.</p>		
F618	<input type="checkbox"/> Overtorque Detection Time The setting of parameter F618 determines how long the drive must detect a motor overtorque condition before it signals an alarm or fault (see above diagram).	0.0 to 10 seconds	0.5 seconds
F619	<input type="checkbox"/> Overtorque Detection Level Bandwidth While the setting of parameter F616 determines the level at which a motor overtorque alarm or fault will be signaled, the setting of parameter F619 determines how far the calculated motor torque must drop before the alarm or fault is cancelled (see above diagram).	0 to 100 % of F616 level	10 %

Fault Management Parameters

Code	Name/Description	Factory setting
F 6 3 4	<input type="checkbox"/> Ambient Temperature For drive Service Alarm 1 <input type="checkbox"/> - 10 to 10 °C 2 <input type="checkbox"/> 11 to 20 °C 3 <input type="checkbox"/> 21 to 30 °C 4 <input type="checkbox"/> 31 to 40 °C 5 <input type="checkbox"/> 41 to 50 °C 6 <input type="checkbox"/> 51 to 60 °C The drive can be programmed to signal a service alarm using output relay functions 44 or 45 (see page 75). The status of the service alarm can be displayed on the graphic display terminal (see page 18). At initial start-up, set parameter F 6 3 4 to the drive's average ambient operating temperature. Setting F 6 3 4 to the highest annual temperature or changing the value after drive operation has begun may result in an early drive service alarm.	3

Nuisance Overvoltage And Input Phase Fault Avoidance

Parameters **F 4 8 1** to **F 4 8 3** can be used to avoid nuisance overvoltage and input phase faults caused by:

- High input impedance: line reactor
- Low input impedance: high kVA distribution network
- Voltage instability: generator power source

If nuisance faults occur, increase the value of parameter **F 4 8 1**. If increasing the value of **F 4 8 1** over 1000 does not eliminate nuisance faults, increase the values of parameters **F 4 8 2** and **F 4 8 3** as needed.

Code	Name/Description	Adjustment range	Factory setting
F 4 8 1	<input type="checkbox"/> Line Noise Compensation Filter	0 to 9999 microseconds	0 microsecond
F 4 8 2	<input type="checkbox"/> Line Noise Inhibitor Filter	0 to 9999 microseconds	442 microseconds
F 4 8 3	<input type="checkbox"/> Line Noise Inhibitor Gain	0.0 to 300.0 %	100 %
F 4 8 4	<input type="checkbox"/> Power supply adjustment gain	0.0 to 2.0	0.0

When the using machine has specific resonance, the following phenomena are happened:

- the machine occurs vibration,
- unusual noise of machine or peripheral.

If these phenomena are occurred, the following parameters should be adjusted:

- at first, set **F 4 8 4** to 0.5,
- next, set **F 4 8 4** as another value when no effect by setting **F 4 8 4** to 0.5,
- if **Motor Rated Frequency** ω_L = 50 Hz, set **F 4 8 1** to the following value 531,
- if **Motor Rated Frequency** ω_L = 60 Hz, set **F 4 8 1** to the following value 442.

Note: **F 4 8 1** and **F 4 8 3** are invalid when **F 4 8 4** has a value excluding 0.0

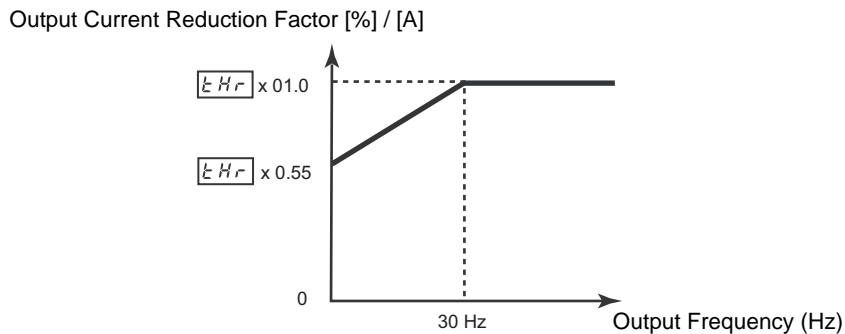
Fault Management Parameters

Motor Overload Characteristics (OLn)

Motor Type

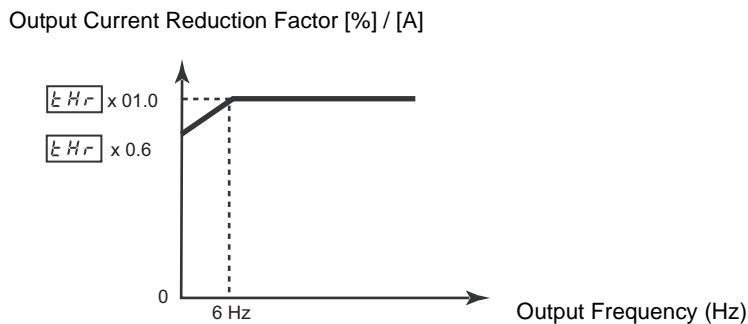
Set OLn to 0, 1, 2, or 3 if a self-cooled motor is being powered by the drive. The diagram below illustrates the overload protection level for the self-cooled motor as a function of motor frequency.

Overload Protection for a Self-Cooled Motor



Set OLn to 4, 5, 6, or 7 if a forced-cooled motor is being powered by the drive. The diagram below illustrates the overload protection level for the forced-cooled motor as a function of motor frequency.

Overload Protection for a Forced-Cooled Motor



Overload Protection

To enable motor overload protection, set OLn to 0, 1, 4, or 5.

⚠ WARNING

INADEQUATE MOTOR PROTECTION

When OLn is set to 2, 3, 6, or 7, a separate overload protective device, external to the drive, must be wired between the drive and the motor.

Failure to follow this instruction can result in death or serious injury.

To disable motor overload protection, set OLn to 2, 3, 6, or 7. In this case, a separate overload protective device, external to the ATV21 drive, must be wired between the drive and the motor.

Overload Stall

The overload stall function is only compatible with variable torque loads where the load on the motor and drive is dependent on the operating frequency and where the load can be reduced by slowing the motor.

If overload stall is enabled, the drive will reduce its output frequency if it detects an impending overload fault. As the overload condition of the motor is dissipated, the drive will return its output frequency to the commanded value.

To enable overload stall, set OLn to 1, 3, 5, or 7.

To disable overload stall, set OLn to 0, 2, 4, or 6.

Fault Management Parameters

Code	Name/Description	Factory setting																																									
OLn	<p>Motor Overload Characteristics</p> <p>This parameter value depends on:</p> <ul style="list-style-type: none"> - the motor type (self cool or forced cooled), - and the protection. 	0																																									
	<table border="1"> <thead> <tr> <th rowspan="2">Motor type</th> <th colspan="2">Protection</th> <th rowspan="2">OLn value</th> <th rowspan="2">Behaviour</th> </tr> <tr> <th>Overload protection</th> <th>Overload stall</th> </tr> </thead> <tbody> <tr> <td rowspan="4">Self cooled</td> <td>enabled</td> <td>disabled</td> <td>0</td> <td>In case of overload defined by E_{Hr} parameter, the drive trips in $OL2$ fault and the letter L is blinking.</td> </tr> <tr> <td>enabled</td> <td>enabled</td> <td>1</td> <td>In case of overload defined by E_{Hr} parameter, the drive reduces automatically the speed and follows a fallback speed (80 % of Motor rated frequency ω_L) (1). If the overload remains during the fallback speed, the drive trips in $OL2$ fault and the letter L is blinking.</td> </tr> <tr> <td>disabled</td> <td>disabled</td> <td>2</td> <td>-</td> </tr> <tr> <td>disabled</td> <td>enabled</td> <td>3</td> <td>In case of overload defined by E_{Hr} parameter, the drive reduces automatically the speed and follows a fallback speed (80 % of Motor rated frequency ω_L) (1). The drive will not trip in $OL2$ fault.</td> </tr> <tr> <td rowspan="5">Forced cooled</td> <td>enabled</td> <td>disabled</td> <td>4</td> <td>In case of overload defined by E_{Hr} parameter, the drive trips in $OL2$ fault and the letter L is blinking.</td> </tr> <tr> <td>enabled</td> <td>enabled</td> <td>5</td> <td>In case of overload defined by E_{Hr} parameter, the drive reduces automatically the speed and follows a fallback speed (80 % of Motor rated frequency ω_L) (1). If the overload remains during the fallback speed, the drive trips in $OL2$ fault and the letter L is blinking.</td> </tr> <tr> <td>disabled</td> <td>disabled</td> <td>6</td> <td>-</td> </tr> <tr> <td>disabled</td> <td>enabled</td> <td>7</td> <td>In case of overload defined by E_{Hr} parameter, the drive reduces automatically the speed and follows a fallback speed (80 % of Motor rated frequency ω_L) (1). The drive will not trip in $OL2$ fault.</td> </tr> </tbody> </table>	Motor type	Protection		OLn value	Behaviour	Overload protection	Overload stall	Self cooled	enabled	disabled	0	In case of overload defined by E_{Hr} parameter, the drive trips in $OL2$ fault and the letter L is blinking.	enabled	enabled	1	In case of overload defined by E_{Hr} parameter, the drive reduces automatically the speed and follows a fallback speed (80 % of Motor rated frequency ω_L) (1). If the overload remains during the fallback speed, the drive trips in $OL2$ fault and the letter L is blinking.	disabled	disabled	2	-	disabled	enabled	3	In case of overload defined by E_{Hr} parameter, the drive reduces automatically the speed and follows a fallback speed (80 % of Motor rated frequency ω_L) (1). The drive will not trip in $OL2$ fault.	Forced cooled	enabled	disabled	4	In case of overload defined by E_{Hr} parameter, the drive trips in $OL2$ fault and the letter L is blinking.	enabled	enabled	5	In case of overload defined by E_{Hr} parameter, the drive reduces automatically the speed and follows a fallback speed (80 % of Motor rated frequency ω_L) (1). If the overload remains during the fallback speed, the drive trips in $OL2$ fault and the letter L is blinking.	disabled	disabled	6	-	disabled	enabled	7	In case of overload defined by E_{Hr} parameter, the drive reduces automatically the speed and follows a fallback speed (80 % of Motor rated frequency ω_L) (1). The drive will not trip in $OL2$ fault.	
Motor type	Protection		OLn value	Behaviour																																							
	Overload protection	Overload stall																																									
Self cooled	enabled	disabled	0	In case of overload defined by E_{Hr} parameter, the drive trips in $OL2$ fault and the letter L is blinking.																																							
	enabled	enabled	1	In case of overload defined by E_{Hr} parameter, the drive reduces automatically the speed and follows a fallback speed (80 % of Motor rated frequency ω_L) (1). If the overload remains during the fallback speed, the drive trips in $OL2$ fault and the letter L is blinking.																																							
	disabled	disabled	2	-																																							
	disabled	enabled	3	In case of overload defined by E_{Hr} parameter, the drive reduces automatically the speed and follows a fallback speed (80 % of Motor rated frequency ω_L) (1). The drive will not trip in $OL2$ fault.																																							
Forced cooled	enabled	disabled	4	In case of overload defined by E_{Hr} parameter, the drive trips in $OL2$ fault and the letter L is blinking.																																							
	enabled	enabled	5	In case of overload defined by E_{Hr} parameter, the drive reduces automatically the speed and follows a fallback speed (80 % of Motor rated frequency ω_L) (1). If the overload remains during the fallback speed, the drive trips in $OL2$ fault and the letter L is blinking.																																							
	disabled	disabled	6	-																																							
	disabled	enabled	7	In case of overload defined by E_{Hr} parameter, the drive reduces automatically the speed and follows a fallback speed (80 % of Motor rated frequency ω_L) (1). The drive will not trip in $OL2$ fault.																																							

(1) If the speed is lower than the fallback speed, the drive will keep the same speed.

Serial Communication Parameters

WARNING

LOSS OF CONTROL

- The designer of any control scheme must consider the potential failure modes of control paths and, for certain critical control functions, provide a means to achieve a safe state during and after a path failure.
- Examples of critical control functions are Emergency Stop and Overtravel Stop.
- Separate or redundant control paths must be provided for critical control functions.

Failure to follow these instructions can result in death, serious injury, or equipment damage.

Network communication between the ATV21 drive and a master controller is possible through five protocols selectable through the graphic display terminal:

- Modbus® RTU
- Metasys® N2
- Apogee® P1 FLN
- BACnet
- LonWorks®

Three types of data exchange are possible:

- Monitoring: monitoring values such as output frequency, voltage, and current
- Programming: reading, editing, and writing drive parameters
- Control: starting and stopping the drive and controlling the frequency reference

For operation on a network containing multiple drives, each ATV21 drive must be assigned a unique address using parameter F802.

For operation on a network where all drives are slaves responding to a central control system:

- Parameters **Remote Mode Start/Stop Control** $C\ N\ 0\ d$ (see page 54) and **Remote Mode Primary Speed Reference Source** $F\ N\ 0\ d$ (see page 54) must be set correctly:
 - Setting $C\ N\ 0\ d$ to 2 enables start/stop control of the drive via network communication
 - Setting $F\ N\ 0\ d$ to 4 enables the frequency reference to be controlled by network communication
 - Setting either $C\ N\ 0\ d$ to 2 or $F\ N\ 0\ d$ to 4 enables serial communication error detection. The setting of parameter F851 determines the drive's response in case of a loss of communication.

For operation on a network with one master ATV21 drive controlling a system of slave ATV21 drives, use parameter F806 to identify the master, to define the master/slave relationship, and to select the action of the slave if communication with the master is lost.

Control of the ATV21 drive can be established by a master controller over a serial communication network regardless of the setting of $C\ N\ 0\ d$ or $F\ N\ 0\ d$ (see diagram on page 31). Control can be restored to the source defined by $C\ N\ 0\ d$ and $F\ N\ 0\ d$ if the serial communication network relinquishes control or a logic input assigned to function 48 (forced local) is enabled.

Serial Communication Parameters

Code	Name/Description	Adjustment range	Factory setting
F B 0 0 0 1	<input type="checkbox"/> Baud Rate <input type="checkbox"/> 9600 bps <input type="checkbox"/> 19200 bps	-	1
F B 0 1 0 1 2	<input type="checkbox"/> Parity <input type="checkbox"/> No parity <input type="checkbox"/> Even parity <input type="checkbox"/> Odd parity	-	1
F B 0 2	<input type="checkbox"/> Address	0 to 247	1
F B 0 3 0 1 to 100	<input type="checkbox"/> Time-out <input type="checkbox"/> Communication error detection disabled <input type="checkbox"/> Seconds	-	3
F B 5 1 0 1 2 3 4	<input type="checkbox"/> Communication Fault Setting <input type="checkbox"/> Drive ramps to a stop. Serial control is relinquished to the sources defined by F N 0 d and C N 0 d . <input type="checkbox"/> Last commanded operation continues <input type="checkbox"/> Drive ramps to a stop. Serial control is maintained. <input type="checkbox"/> Drive removes power from the motor which coasts to a stop. Serial control is maintained. <input type="checkbox"/> Drive faults with either a communication error E r r 5 or a network error E r r 8 .	-	4

Serial Communication Parameters

Parameters **F B 5 6 – F B 8 0** define the structure of data transmitted between the drive and the data communication network.

Code	Name/Description	Factory setting
F B 5 6	<input type="checkbox"/> Motor Poles For Communication	2
1	<input type="checkbox"/> 2 poles	
2	<input type="checkbox"/> 4 poles	
3	<input type="checkbox"/> 6 poles	
4	<input type="checkbox"/> 8 poles	
5	<input type="checkbox"/> 10 poles	
6	<input type="checkbox"/> 12 poles	
7	<input type="checkbox"/> 14 poles	
8	<input type="checkbox"/> 16 poles	
F B 7 0	<input type="checkbox"/> Block Write Data 1	0
0	<input type="checkbox"/> No selection	
1	<input type="checkbox"/> Command 1	
2	<input type="checkbox"/> Command 2	
3	<input type="checkbox"/> Frequency command	
4	<input type="checkbox"/> Output data on the terminal board	
5	<input type="checkbox"/> Analog output for communication	
6	<input type="checkbox"/> Motor speed command	
F B 7 1	<input type="checkbox"/> Block Write Data 2	0
0	<input type="checkbox"/> No selection	
1	<input type="checkbox"/> Command 1	
2	<input type="checkbox"/> Command 2	
3	<input type="checkbox"/> Frequency command	
4	<input type="checkbox"/> Output data on the terminal board	
5	<input type="checkbox"/> Analog output for communication	
6	<input type="checkbox"/> Motor speed command	
F B 7 5	<input type="checkbox"/> Block Read Data 1	0
0	<input type="checkbox"/> No selection	
1	<input type="checkbox"/> Status information	
2	<input type="checkbox"/> Output frequency	
3	<input type="checkbox"/> Output current	
4	<input type="checkbox"/> Output voltage	
5	<input type="checkbox"/> Alarm information	
6	<input type="checkbox"/> PID feedback value	
7	<input type="checkbox"/> Input terminal board monitor	
8	<input type="checkbox"/> Output terminal board monitor	
9	<input type="checkbox"/> VIA terminal board monitor	
10	<input type="checkbox"/> VIB terminal board monitor	
11	<input type="checkbox"/> Output motor speed monitor	

Serial Communication Parameters

Code	Name/Description	Factory setting
FB 76	<input type="checkbox"/> Block Read Data 2	0
0	<input type="checkbox"/> No selection	
1	<input type="checkbox"/> Status information	
2	<input type="checkbox"/> Output frequency	
3	<input type="checkbox"/> Output current	
4	<input type="checkbox"/> Output voltage	
5	<input type="checkbox"/> Alarm information	
6	<input type="checkbox"/> PID feedback value	
7	<input type="checkbox"/> Input terminal board monitor	
8	<input type="checkbox"/> Output terminal board monitor	
9	<input type="checkbox"/> VIA terminal board monitor	
10	<input type="checkbox"/> VIB terminal board monitor	
11	<input type="checkbox"/> Output motor speed monitor	
FB 77	<input type="checkbox"/> Block Read Data 9	0
0	<input type="checkbox"/> No selection	
1	<input type="checkbox"/> Status information	
2	<input type="checkbox"/> Output frequency	
3	<input type="checkbox"/> Output current	
4	<input type="checkbox"/> Output voltage	
5	<input type="checkbox"/> Alarm information	
6	<input type="checkbox"/> PID feedback value	
7	<input type="checkbox"/> Input terminal board monitor	
8	<input type="checkbox"/> Output terminal board monitor	
9	<input type="checkbox"/> VIA terminal board monitor	
10	<input type="checkbox"/> VIB terminal board monitor	
11	<input type="checkbox"/> Output motor speed monitor	

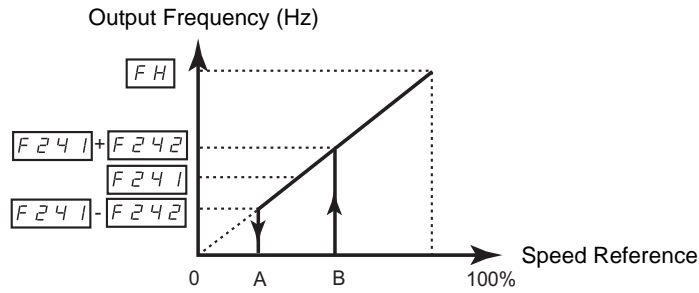
Serial Communication Parameters

Code	Name/Description	Adjustment Range	Factory setting
F B 7 8	<input type="checkbox"/> Block Read Data 4	-	0
0	<input type="checkbox"/> No selection		
1	<input type="checkbox"/> Status information		
2	<input type="checkbox"/> Output frequency		
3	<input type="checkbox"/> Output current		
4	<input type="checkbox"/> Output voltage		
5	<input type="checkbox"/> Alarm information		
6	<input type="checkbox"/> PID feedback value		
7	<input type="checkbox"/> Input terminal board monitor		
8	<input type="checkbox"/> Output terminal board monitor		
9	<input type="checkbox"/> VIA terminal board monitor		
10	<input type="checkbox"/> VIB terminal board monitor		
11	<input type="checkbox"/> Output motor speed monitor		
F B 7 9	<input type="checkbox"/> Block Read Data 5	-	0
0	<input type="checkbox"/> No selection		
1	<input type="checkbox"/> Status information		
2	<input type="checkbox"/> Output frequency		
3	<input type="checkbox"/> Output current		
4	<input type="checkbox"/> Output voltage		
5	<input type="checkbox"/> Alarm information		
6	<input type="checkbox"/> PID feedback value		
7	<input type="checkbox"/> Input terminal board monitor		
8	<input type="checkbox"/> Output terminal board monitor		
9	<input type="checkbox"/> VIA terminal board monitor		
10	<input type="checkbox"/> VIB terminal board monitor		
11	<input type="checkbox"/> Output motor speed monitor		
F B 8 0	<input type="checkbox"/> Free Notes	0 to 65535	0
	The free notes parameter can be used to set a unique value to identify the drive on a network.		

Start/Stop Control By Speed Reference Level

Use parameters $F241$ and $F242$ to enable start/stop control of the drive based on the speed reference level.

If the drive is not faulted and has a run permissive signal, the drive will start powering the motor as soon as the speed reference level exceeds the frequency set by $F241 + F242$ (point B in diagram below). It will remove power from the motor as soon as the output frequency drops below the level set by $F241 - F242$ (point A in diagram below).



Code	Name/Description	Adjustment Range	Factory setting
$F241$	<input type="checkbox"/> Operating Starting Frequency	0.0 to FH Hz	0.0 Hz
$F242$	<input type="checkbox"/> Operating Starting Frequency Hysteresis	0.0 to FH Hz	0.0 Hz

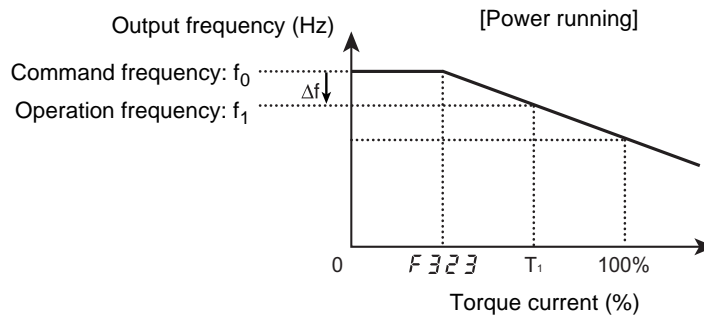
Droop Control

The use of droop control (or negative slip compensation) can help balance the load between multiple motors in a load sharing application. The amount of slip or speed droop allowed in the motor powering the load is determined by the load current level and the setting of parameters **F 3 2 0** and **F 3 2 3**.

During motoring, droop control decreases the drive output frequency. During regenerative braking, droop control increases the drive output frequency.

When enabled, droop control is active when:

- The load current exceeds the level set by parameter **F 3 2 3**.
- The drive output frequency is between the **Output Starting Frequency F 2 4 0** (see page 60) and **Maximum Frequency F H** (see page 59).



The amount of speed droop allowed (f) can be calculated by this equation:
 $f = UL (1) \text{ (motor rated frequency)} \times F 3 2 0 \times (\text{load current} - F 3 2 3)(2)$

Example:

UL = 60 Hz

F 3 2 0 = 10%

F 3 2 3 = 30% (of drive's rated current)

Load current = 100% of drive's rating

$$f = 60 \times 0.1 \times (1 - 0.3)$$

$$f = 60 \times 0.07$$

$$f = 4.2$$

Assuming the speed reference is set to 60 Hz, the output frequency will be: $f_1 = f_0 - f = 60 - 4.2 = 55.8 \text{ (Hz)}$.

(1) This is parameter **High Speed UL** (see page 59). The value entered for **UL** in this formula should not exceed 100, regardless of the actual setting of parameter **UL**.

(2) Speed droop is zero if (load current - **F 3 2 3**) = 0).

Code	Name/Description	Adjustment Range	Factory setting
F 3 2 0	<input type="checkbox"/> Droop Gain	0 to 100 %	0 %
F 3 2 3	<input type="checkbox"/> Droop Insensitive Torque Band	0 to 100 % (3)	10 %

(3) Percent of the drive's rated current.

Permanent Magnet Motor

Note: Consult the catalog before applying the drive to a permanent magnet motor.

If a permanent magnet motor steps out with a resultant increase in motor current, the drive will fault with a **S O U E** code if the motor current exceeds the level set by parameter **F 9 1 0** for a time greater than that set by parameter **F 9 1 2**.

Code	Name/Description	Adjustment Range	Factory setting
F 9 1 0	<input type="checkbox"/> Permanent Motor Step-out Detection Current Level	10 to 150 % (1)	100 %
F 9 1 1	<input type="checkbox"/> Permanent Motor Step-out Detection Time	0.00 to 25 seconds	0.00 second
0. 0 0 0. 0 1 to 2 5	<input type="checkbox"/> Disabled <input type="checkbox"/> Enabled		
F 9 1 2	<input type="checkbox"/> Permanent Motor High-speed Torque Adjustment Coefficient DO NOT ADJUST	-	-

(1) Percent of the drive's rated current. Ampere range will vary according to drive power rating.

Options

Code	Name/Description	Adjustment range	Factory setting
F B 2 9	<input type="checkbox"/> Protocol	-	1
0	<input type="checkbox"/> Reserved		
1	<input type="checkbox"/> Modbus RTU		
2	<input type="checkbox"/> Metasys N2		
3	<input type="checkbox"/> Apogee P1 FLN		
4	<input type="checkbox"/> BACnet		

Parameters **F B 9 0 – F B 9 6** should be adjusted only if the corresponding optional equipment has been installed. See the ATV21 catalog for more detail.

Code	Name/Description
F B 9 0	<input type="checkbox"/> Parameter for Option 1
F B 9 1	<input type="checkbox"/> Parameter for Option 2
F B 9 2	<input type="checkbox"/> Parameter for Option 3
F B 9 3	<input type="checkbox"/> Parameter for Option 4
F B 9 4	<input type="checkbox"/> Parameter for Option 5
F B 9 5	<input type="checkbox"/> Parameter for Option 6
F B 9 6	<input type="checkbox"/> Parameter for Option 7

When the value of **F B 2 9** parameter is changed, the adjustment range and factory setting of **F B 9 0** to **F B 9 6** are automatically setted.

	Modbus		APOGEE FLN P1		METASYS N2		BACNET	
	Adjustment Range	Factory setting	Adjustment Range	Factory setting	Adjustment Range	Factory setting	Adjustment Range	Factory setting
F B 2 9	-	1	3	3	2	2	4	4
F B 9 0	0 to 65535	0	1 to 99	99	1 to 255	1	0 to 127	0
F B 9 1			0 to 6	0	1 to 5	5	1 to 5	5
F B 9 2			20 to 600	100	20 to 600	100	20 to 600	100
F B 9 3			0 to 4194	0	0 to 4194	0	0 to 4194	0
F B 9 4			0 to 999	0	0 to 999	0	0 to 999	0
F B 9 5			0 to 127	0	0 to 127	0	0 to 127	127
F B 9 6			0 to 100	0	0 to 100	0	1 to 100	1

Faults - Causes - Remedies

Fault Conditions

Refer to tables on pages [118](#), [121](#) and [122](#) to diagnose and resolve problems when a fault, alarm, or pre-alarm condition occurs. If the problem cannot be resolved by the actions described in the tables, contact your Schneider Electric representative.

Fault Codes

Fault code	Problem	Possible causes	Remedies
E - 18	Break in VIA signal cable	<ul style="list-style-type: none"> The VIA analog signal is below the level set by parameter F 6 3 3. 	<ul style="list-style-type: none"> Check the signal at VIA and rectify the cause of the signal loss. Verify that parameter F 6 3 3 is set correctly.
E - 19	CPU communications error	<ul style="list-style-type: none"> Communication error between control CPUs 	<ul style="list-style-type: none"> Contact Schneider Electric to repair the drive.
E - 20	Excessive torque boost	<ul style="list-style-type: none"> Torque boost parameter F 4 0 2 is set too high. The motor impedance is too low. 	<ul style="list-style-type: none"> Repeat the drive auto-tune and then adjust down parameter F 4 0 2.
E - 21	CPU fault 2	<ul style="list-style-type: none"> The control board CPU is inoperable. 	<ul style="list-style-type: none"> Contact Schneider Electric to repair the drive.
EEP 1	EEPROM fault 1	<ul style="list-style-type: none"> A data writing error has occurred. 	<ul style="list-style-type: none"> Cycle power to clear the fault.
EEP 2	EEPROM fault 2	<ul style="list-style-type: none"> Power was removed from the drive during a parameter reset operation resulting in a data writing error. 	<ul style="list-style-type: none"> Cycle power to clear the fault and try the parameter reset operation again. If the fault does not clear, contact Schneider Electric to repair the drive.
EEP 3	EEPROM fault 3	<ul style="list-style-type: none"> A data reading error has occurred. 	<ul style="list-style-type: none"> Cycle power to clear the fault.
EF 2	Ground fault	<ul style="list-style-type: none"> Ground fault in motor or motor cables 	<ul style="list-style-type: none"> Using a 1000 V megger, check the motor and motor cables for ground faults.
EPH 1	Input phase loss	<ul style="list-style-type: none"> Loss of one input phase 	<ul style="list-style-type: none"> Determine the cause of the missing input phase and rectify. Set parameter F 6 0 8 to 0.
EPH 0	Output phase loss	<ul style="list-style-type: none"> Loss of one or more output phases 	<ul style="list-style-type: none"> Determine the cause of the missing output phase (such as a bad connection, an output disconnect, or an open winding in the motor) and rectify the problem. Set parameter F 6 0 5 to 0.
Err 1	Frequency setting point error alarm	<ul style="list-style-type: none"> Parameters F 2 0 2, F 2 0 3, F 2 1 0, or F 2 1 2 are set improperly. 	<ul style="list-style-type: none"> Set the parameters to the correct settings.
Err 2	Control board RAM fault	<ul style="list-style-type: none"> The control board RAM is inoperable. 	<ul style="list-style-type: none"> Contact Schneider Electric to repair the drive.
Err 3	Control board ROM fault	<ul style="list-style-type: none"> The control board ROM is inoperable. 	<ul style="list-style-type: none"> Contact Schneider Electric to repair the drive.
Err 4	CPU fault 1	<ul style="list-style-type: none"> The control board CPU is inoperable. 	<ul style="list-style-type: none"> Contact Schneider Electric to repair the drive.
Err 5	Communication fault	<ul style="list-style-type: none"> Serial communication error 	<ul style="list-style-type: none"> Check network control devices and cables. Check the setting of the communication timeout parameter, F 8 0 3. Check the remote graphic display terminal cable.
Err 7	Current sensor fault	<ul style="list-style-type: none"> A motor current sensor is inoperable. 	<ul style="list-style-type: none"> Replace the drive.
Err 8	Network error	<ul style="list-style-type: none"> Network communication error 	<ul style="list-style-type: none"> Check the network control devices and cables.

Faults - Causes - Remedies

Fault code	Problem	Possible causes	Remedies
E t n 1	Auto-tuning error	<ul style="list-style-type: none"> Parameters F 4 0 1 to F 4 9 4 are incorrectly set. The motor is too large for the drive. The motor cable gauge is too small. The motor is still rotating at the start of the auto-tune. The drive is not powering a 3-phase induction motor. 	<ul style="list-style-type: none"> Set parameters F 4 0 1–F 4 9 4 correctly. Use a larger drive. Use a larger gauge motor cable. Verify that the motor is stopped before starting an auto-tune. Use the drive to power only a 3-phase induction motor.
E t 4 P	drive type fault	<ul style="list-style-type: none"> The main control board is inoperable. 	<ul style="list-style-type: none"> Set parameter t 4 P to 6. If this does not clear the error, replace the drive.
h 9 9 9	Accumulated input power error	<ul style="list-style-type: none"> The accumulated input power value is more than 999.999 kWh. 	<ul style="list-style-type: none"> Clear the accumulated input power value using logic input function 51, or parameter F 7 4 8.
0 C 1	Overcurrent during acceleration	<ul style="list-style-type: none"> The acceleration time is too short. The setting of parameter P t is incorrect. The drive is starting into a rotating load. The drive is powering a low impedance motor. Ground fault 	<ul style="list-style-type: none"> Increase the acceleration time parameters (A C C or F 5 0 0). Select the correct setting for parameter P t. Enable catch on the fly, parameter F 3 0 1. Adjust the switching frequency parameter F 3 0 0. Set parameter F 3 1 6 to 1 or 3.
0 C 1 P	Ground fault	<ul style="list-style-type: none"> Short circuit or ground fault during acceleration 	<ul style="list-style-type: none"> Using a 1000 V testing tool megger, check the motor and motor cables for ground faults.
0 C 2	Overcurrent during deceleration	<ul style="list-style-type: none"> The deceleration time is too short. Ground fault 	<ul style="list-style-type: none"> Increase the deceleration time parameters (d E C or F 5 0 1). Set parameter F 3 1 6 to 1 or 3.
0 C 2 P	Ground fault	<ul style="list-style-type: none"> Short circuit or ground fault during deceleration 	<ul style="list-style-type: none"> Using a 1000 V megger, check the motor and motor cables for ground faults..
0 C 3	Overcurrent during constant speed operation	<ul style="list-style-type: none"> Abrupt fluctuations in load Abnormal load condition 	<ul style="list-style-type: none"> Reduce the load fluctuations. Check the load. Set parameter F 3 1 6 to 1 or 3.
0 C 3 P	Ground fault	<ul style="list-style-type: none"> Short circuit or ground fault during constant speed operation 	<ul style="list-style-type: none"> Using a 1000 V megger, check the motor and motor cables for ground faults.
0 C A	Arm overcurrent during startup	<ul style="list-style-type: none"> Ground fault 	<ul style="list-style-type: none"> Using a 1000 V megger, check the motor and motor cables for ground faults.
0 C L	Short Circuit	<ul style="list-style-type: none"> Phase to phase output short circuit The motor impedance is too low. 	<ul style="list-style-type: none"> Using a 1000 V megger, check the motor and motor cables for ground faults.
0 H	drive overtemperature fault	<ul style="list-style-type: none"> The drive cooling fan is not working. The ambient temperature is too high. An enclosure air vent is blocked. A heat source is too close to the drive. The drive heatsink temperature sensor is malfunctioning. 	<ul style="list-style-type: none"> Restart operation by resetting the drive fault after cool-off. Decrease the ambient temperature by increasing the free space around the drive and removing any heat generating source from the proximity of the drive.
0 H 2	Motor PTC overtemperature fault	<ul style="list-style-type: none"> The external PTC embedded in the motor windings indicates a motor overtemperature condition. 	<ul style="list-style-type: none"> Correct the motor overload condition. Check the PTC for correct operation.

Faults - Causes - Remedies

Fault code	Problem	Possible causes	Remedies
OL 1	drive overload	<ul style="list-style-type: none"> The acceleration time is too short. The DC injection current level is too high. The setting of parameter Pt is incorrect. The drive is starting into a rotating load. The load is too large. 	<ul style="list-style-type: none"> Increase the acceleration time parameters (ACC or F500). Reduce the setting of parameters F251 and/or F252. Select the correct setting for parameter Pt. Enable catch on the fly, parameter F301. Set parameter F302 to 2. Use a drive with a higher power rating.
OL 2	Motor overload	<ul style="list-style-type: none"> The setting of parameter Pt is incorrect. The motor is jammed. Low-speed operation is performed continuously Excessive load is applied to the motor. 	<ul style="list-style-type: none"> Select the correct setting for parameter Pt. Check the load. Adjust parameter OLn to the overload level that the motor can withstand during low speed operation.
OP 1	Overvoltage during acceleration	<ul style="list-style-type: none"> The input voltage is fluctuating abnormally. Power network is greater than 200 kVA. Power factor capacitor switching SCR switching on power network The drive is starting into a rotating load. Intermittent output phase fault 	<ul style="list-style-type: none"> Install a line reactor. Enable catch on the fly, parameter F301. Set parameter F302 to 2. Determine the cause of the missing output phase (such as a bad connection, an output disconnect, or an open winding in the motor) and rectify the problem.
OP 2	Overvoltage during deceleration	<ul style="list-style-type: none"> The deceleration time is too short. Overhauling load The input voltage is fluctuating abnormally. Power network is greater than 200 kVA Power factor capacitor switching SCR switching on power network The drive is starting into a rotating load. Intermittent output phase fault 	<ul style="list-style-type: none"> Increase the deceleration time parameters (DEC or F501). Enable parameter F305. Install a line reactor. Check the input and output circuits for phase failure and rectify. Enable catch on the fly, parameter F301.
OP 3	Overvoltage during constant speed operation	<ul style="list-style-type: none"> The input voltage is fluctuating abnormally. Power network is greater than 200 kVA Power factor capacitor switching SCR switching on power network The drive is regenerating - the load causes the motor to run at a frequency higher than drive output frequency. Intermittent output phase fault 	<ul style="list-style-type: none"> Install a line reactor. Check the input and output circuits for phase failure and rectify.
OT	Overtorque fault	<ul style="list-style-type: none"> The calculated motor torque has reached the level set by parameter F616. 	<ul style="list-style-type: none"> Adjust the settings of parameters F615 and F616 as needed. Verify machine operation.
SOUt	Permanent magnet motor pulls out of synchronism	<ul style="list-style-type: none"> The motor is jammed. Output phase loss Impact load 	<ul style="list-style-type: none"> Check the load and correct the jammed condition. Check the condition of the motor and load wiring.
UC	Underload fault	<ul style="list-style-type: none"> The measured motor current has dropped below the level set by parameter F611. 	<ul style="list-style-type: none"> Check parameters F610-612 for the correct settings.
UP 1	DC bus undervoltage fault	<ul style="list-style-type: none"> The input voltage is too low. 	<ul style="list-style-type: none"> Check the input voltage and rectify the problem. Select the correct setting for parameter F627. Enable catch on the fly, parameter F301. Set parameter F302 to 2.

Faults - Causes - Remedies

Alarm Conditions

Alarms do not cause the drive to enter a fault condition.

Alarm Codes

Alarm code	Problem	Possible causes	Remedies
<i>A t n I</i>	Auto-tuning	<ul style="list-style-type: none"> Auto-tuning in process 	<ul style="list-style-type: none"> Normal if it the message disappears after a few seconds.
<i>C L r</i>	Clear command acceptable	<ul style="list-style-type: none"> This message is displayed after the STOP key is pressed while an error code is displayed. 	<ul style="list-style-type: none"> Press the STOP key again to clear the fault.
<i>d b</i>	DC braking	<ul style="list-style-type: none"> DC braking in process 	<ul style="list-style-type: none"> The alarm code goes off in several seconds if no problem occurs.
<i>E - 17</i>	graphic display terminal error	<ul style="list-style-type: none"> A graphic display terminal key has been held down for more than 20 seconds. A graphic display terminal key may not be operating properly. 	<ul style="list-style-type: none"> Release the graphic display terminal key. If this does not clear the error, replace the drive.
<i>E I</i>	The number of digits that can be displayed has been exceeded	<ul style="list-style-type: none"> The number of digits entered for values such as frequencies is more than 4. (The upper digits have priority.) 	<ul style="list-style-type: none"> Lower the frequency free-unit magnification <i>F 7 0 2</i>.
<i>E O F F</i>	Emergency stop command acceptable	<ul style="list-style-type: none"> The operation panel is used to stop the operation in automatic control or remote control mode. 	<ul style="list-style-type: none"> Press the STOP key for an emergency stop. To cancel the emergency stop, press any other key.
<i>E r r I</i>	Frequency point setting error alarm	<ul style="list-style-type: none"> The frequency setting signals at points 1 and 2 are set too close to each other. 	<ul style="list-style-type: none"> Set the frequency setting signals at points 1 and 2 apart from each other.
<i>h 9 9 9</i>	Integral input power	<ul style="list-style-type: none"> Integral input power is more than 999.99 kWh. 	<ul style="list-style-type: none"> Press and hold down the key for 3 s or more when power is off or when the input terminal function CKWH is turned on or displayed.
<i>H 9 9 9</i>	Integral output power	<ul style="list-style-type: none"> Integral output power is more than 999.99 kWh. 	<ul style="list-style-type: none"> Press and hold down the key for 3 s or more when power is off or when the input terminal function CKWH is turned on or displayed.
<i>H E A D E n d</i>	Display of first/last data items	<ul style="list-style-type: none"> The first and last data item in the auh data group is displayed. 	<ul style="list-style-type: none"> Press MODE key to exit the data group.
<i>H I L O</i>	Parameter adjustment error	<ul style="list-style-type: none"> During programming, a value was entered that exceeds the maximum or minimum value of the parameter. 	<ul style="list-style-type: none"> Enter a value within the bounds of the parameter
<i>I n I t</i>	Parameters in the process of initialization	<ul style="list-style-type: none"> Parameters are being initialized to default values. 	<ul style="list-style-type: none"> Normal if the message disappears after several seconds.
<i>L S E P</i>	Auto-stop because of continuous operation at the lower-limit frequency	<ul style="list-style-type: none"> The automatic stop function selected with <i>F 2 5 6</i> was activated. 	<ul style="list-style-type: none"> To deactivate the automatic stop function, increase the frequency command above the lower-limit frequency <i>L L + F 3 9 1</i> or turn off the operation command.
<i>N O F F</i>	Line supply undervoltage fault	<ul style="list-style-type: none"> The phase-to-phase input voltage is too low. 	<ul style="list-style-type: none"> Measure the main circuit supply voltage. If the voltage is at a normal level, the drive requires repair.
<i>O F F</i>	ST terminal OFF	<ul style="list-style-type: none"> The ST-CC (run permissive) circuit is open. 	<ul style="list-style-type: none"> Close the ST-CC circuit.
<i>r e r y</i>	Restart in process	<ul style="list-style-type: none"> The drive is in the process of restart. A momentary stop occurred. 	<ul style="list-style-type: none"> The drive is operating normally if it restarts after several seconds.
<i>S t O P</i>	Momentary power failure slowdown stop prohibition function activated.	<ul style="list-style-type: none"> The slowdown stop prohibition function set with <i>F 3 0 2</i> (momentary power failure ride-through operation) is activated. 	<ul style="list-style-type: none"> To restart operation, reset the drive or input an operation signal again.

Faults - Causes - Remedies

Pre-alarm Conditions

Pre-alarm Codes

Code	Pre-alarm	Description
C	Current Limit	The drive is at current limit. For more information, refer to parameter F 6 0 1 (see page 47) and F 1 8 5 (see page 52).
P	DC bus overvoltage	The drive is approaching an overvoltage fault due to a high supply line, regenerative motor braking, or a combination of these. For more information, refer to parameters F 3 0 5 (see page 101) and F 6 2 6 (see page 101).
L	Motor overload alarm	The motor overload timer has reached or exceeded 50% of its fault level.
H	drive overheating alarm	The drive is approaching an overheating fault.

The pre-alarm codes are displayed, blinking, in the following order from left to right: **C**, **P**, **L**, **H**.

If two or more problems arise simultaneously, one of the following pre-alarm codes appears and blinks: **C P**, **P L**, **C P L**.

Resetting the drive after a Fault Condition

Clear the cause of a fault trip condition before resetting the drive. Resetting the tripped drive before eliminating the problem causes it to fault again.

The drive can be reset after a fault with any of the following operations:

1. By turning off the power.
 2. By means of an external signal.
 3. With the Stop key on the display terminal:
 - Press the STOP key and make sure that **C L r** is displayed.
 - Eliminate the cause of the fault.
 - Press the STOP key again to reset the drive.
 4. By a fault clear signal from a remote communication device.
- When any overload function (**O L 1** or **O L 2**) is active, the drive cannot be reset by inputting a reset signal from an external device or with the Stop key on the display terminal if the calculated cooling time has not expired. Calculated cooling time:

- **O L 1**: 30 seconds after the fault has occurred
- **O L 2**: 120 seconds after the fault has occurred

CAUTION

MOTOR OVERHEATING

- Repeated reset of the thermal state after a thermal overload can result in thermal stress to the motor.
- When faults occur, promptly inspect the motor and driven equipment for problems (such as a locked shaft or mechanical overload) before restarting. Also check the power supplied to the motor for abnormal conditions (such as a phase loss or phase imbalance). these instructions can result in equipment damage.

Failure to follow these instructions can result in injury or equipment damage.

Parameters reset tables

Parameter Reset

Refer to Menu navigation diagram page [20](#) to know how to reach L Y P parameter.

The Altivar 21 drive offers three parameter reset options:

- Factory reset ($\text{L Y P} = 3$)
- 50 Hz reset ($\text{L Y P} = 1$)
- 60 Hz reset ($\text{L Y P} = 2$)

This appendix describes parameter values after these reset operations.

The following tables identify:

- Parameters whose values after a reset DO NOT vary by reset type, see below.
- Parameters whose values after a reset vary by reset type, see page [128](#).
- Parameters whose values after a reset are drive model dependant but DO NOT vary by reset type, see page [128](#).
- Parameters whose values after a reset are drive model and reset type dependant, see page [130](#).
- Parameters whose values do not change if a reset is performed, see page [131](#).

Parameter values that do not vary by reset type

The table below lists the parameters whose values, after a reset, do not vary by the reset type.

To determine the value of a parameter after a reset, locate the parameter in the first column and read across the row to the default value column. The number that appears at the intersection of the parameter and the default value is the parameter's value after a reset of any type ($\text{L Y P} = 1$, $\text{L Y P} = 2$, or $\text{L Y P} = 3$).

Parameters whose values after a reset DO NOT vary by reset type

Parameter	Description	Unit	Default Value
A U 1	Auto ramp adaptation	–	1
A U 4	Macro programming	–	0
F N S L	Analog output function selection	–	0
F N	Analog output scaling	–	–
L Y P	Parameter reset	–	0
F r	Local mode motor rotation direction command	–	0
F C	Local mode speed reference	Hz	0.0
L L	Low speed	Hz	0.0
P L	Motor control mode	–	1
O L N	Motor overload characteristics	–	0
S r 1	Preset speed 1	Hz	15
S r 2	Preset speed 2	Hz	20
S r 3	Preset speed 3	Hz	25
S r 4	Preset speed 4	Hz	30
S r 5	Preset speed 5	Hz	35
S r 6	Preset speed 6	Hz	40
S r 7	Preset speed 7	Hz	45
F 1 0 0	Relay output – frequency level 1 attained	Hz	0.0
F 1 0 1	Relay output – frequency level 2 attained	Hz	0.0
F 1 0 2	Frequency attained detection band	Hz	2.5
F 1 0 8	Always active logic function 1	–	0
F 1 0 9	VIA input function (analog or logic selection)	–	0
F 1 1 0	Always active logic function 2	–	1
F 1 1 1	F logic input function	–	2
F 1 1 2	R logic input function	–	6
F 1 1 3	RES logic input function	–	10
F 1 1 8	VIA logic input function	–	7

Parameters reset tables

Parameter	Description	Unit	Default Value
<i>F 130</i>	RY-RC relay primary function	–	4
<i>F 132</i>	FL relay function	–	11
<i>F 137</i>	RY-RC relay secondary function	–	255
<i>F 139</i>	RY-RC relay function logic selection	–	0
<i>F 167</i>	Frequency command agreement detection range	Hz	2.5
<i>F 200</i>	Auto/manual speed reference switching	–	0
<i>F 201</i>	VIA speed reference level 1	%	0
<i>F 202</i>	VIA output frequency level 1	Hz	0.0
<i>F 203</i>	VIA speed reference level 2	%	100
<i>F 207</i>	Remote mode secondary speed reference source	–	2
<i>F 210</i>	VIB speed reference level 1	%	0
<i>F 211</i>	VIB output frequency level 1	Hz	0.0
<i>F 212</i>	VIB speed reference level 2	%	100
<i>F 240</i>	Output Starting Frequency	Hz	0.5
<i>F 241</i>	Operating starting frequency	Hz	0.0
<i>F 242</i>	Operating starting frequency hysteresis	Hz	0.0
<i>F 250</i>	DC braking starting frequency	Hz	0.0
<i>F 251</i>	DC braking current level	A	50
<i>F 252</i>	DC braking time	s	1.0
<i>F 256</i>	Sleep/wake operation	s	0.0
<i>F 264</i>	+ Speed logic input response time	s	0.1
<i>F 265</i>	+ Speed frequency steps	Hz	0.1
<i>F 266</i>	- Speed logic input response time	s	0.1
<i>F 267</i>	- Speed frequency steps	Hz	0.1
<i>F 268</i>	Initial +/- speed frequency	Hz	0.0
<i>F 269</i>	Reset of initial +/- speed frequency	–	1
<i>F 270</i>	Skip frequency 1 midpoint	Hz	0.0
<i>F 271</i>	Skip frequency 1 bandwidth	Hz	0.0
<i>F 272</i>	Skip frequency 2 midpoint	Hz	0.0
<i>F 273</i>	Skip frequency 2 bandwidth	Hz	0.0
<i>F 274</i>	Skip frequency 3 midpoint	Hz	0.0
<i>F 275</i>	Skip frequency 3 bandwidth	Hz	0.0
<i>F 294</i>	Forced speed frequency	Hz	50
<i>F 295</i>	Bumpless transfer from remote to local control	–	1
<i>F 301</i>	Catch on the fly	–	3
<i>F 302</i>	Input Phase Loss	–	0
<i>F 305</i>	Overvoltage fault protection	–	2
<i>F 307</i>	Supply voltage correction and motor voltage limitation	–	3
<i>F 311</i>	Motor rotation direction command	–	1
<i>F 312</i>	Switching frequency random mode	–	0
<i>F 316</i>	Switching frequency control mode	–	1
<i>F 320</i>	Droop gain	%	0
<i>F 323</i>	Droop insensitive torque band	%	10
<i>F 359</i>	PID control waiting time	s	0

Parameters reset tables

Parameter	Description	Unit	Default Value
F 360	PID control enable	–	0
F 362	PID proportional gain	–	0.30
F 363	PID integral gain	–	0.20
F 366	PID derivative gain	–	0.00
F 400	Auto tuning enable	–	0
F 401	Slip compensation	%	50
F 418	Frequency loop gain	–	40
F 419	Frequency loop stability	–	20
F 470	VIA analog input bias	–	128
F 471	VIA analog input gain	–	148
F 472	VIB analog input bias	–	128
F 473	VIB analog input gain	–	148
F 482	Line noise inhibitor filter	micro-seconds	442
F 483	Line noise inhibitor gain	–	100
F 484	Power supply adjustment gain	–	0.0
F 485	Stall prevention control coefficient 1	–	100
F 492	Stall prevention control coefficient 2	–	100
F 495	Maximum voltage adjustment coefficient	%	104
F 496	Waveform switching adjustment coefficient	kHz	14.0
F 502	Acc/Dec pattern 1	–	0
F 503	Acc/Dec pattern 2	–	0
F 504	Acc/Dec pattern selection (ramp switching)	–	1
F 505	Acc/Dec pattern switching frequency	Hz	0.0
F 506	Acc/Dec S–pattern lower limit	%	10
F 507	Acc/Dec S–pattern upper limit	%	10
F 602	Drive fault memory	–	0
F 603	External fault stop mode	–	0
F 604	External fault DC braking time	s	1.0
F 605	Output phase failure detection mode	–	3
F 607	Motor overload time	s	300
F 608	Input phase failure detection mode	–	1
F 609	Underload detection level bandwidth	%	10
F 610	Underload fault/alarm selection	–	0
F 611	Underload detection level	% / A	0
F 612	Underload detection time	s	0
F 613	Output short-circuit detection mode	–	0
F 615	Overtorque fault/alarm selection	–	0
F 616	Overtorque detection level	%	130
F 618	Overtorque detection time	s	0.5
F 619	Overtorque detection level bandwidth	%	10
F 621	Run time alarm setting	hours	610.0 (6100 h)
F 627	Undervoltage fault operation mode	–	0
F 632	Motor overload memory	–	0
F 633	Loss of VIA analog signal	%	0

Parameters reset tables

Parameter	Description	Unit	Default Value
F 6 3 4	Ambient temperature for drive service alarm	–	3
F 6 4 5	PTC motor thermal protection enable	–	0
F 6 4 6	PTC resistor value	Ω	3000
F 6 5 0	Forced speed enable	–	0
F 6 9 1	Analog output slope	–	1
F 6 9 2	Analog output bias	%	0
F 7 0 0	Parameter lock	–	0
F 7 0 1	Graphic display terminal display: % or A/V units	–	1
F 7 0 2	Custom frequency display conversion factor	–	0
F 7 0 3	Frequency free unit conversion selection	–	0
F 7 0 6	Custom frequency display conversion bias	Hz	0.0
F 7 0 7	Local mode speed reference step changes	Hz	0.0
F 7 0 8	Graphic display terminal frequency display resolution	–	0
F 7 1 0	Default graphic display terminal operational display value	–	0
F 7 2 1	Local mode motor stop type	–	0
F 7 3 0	Disabling of graphic display terminal speed reference change keys	–	0
F 7 3 2	Disabling of graphic display terminal local/remote key	–	0
F 7 3 3	Disabling of graphic display terminal RUN and STOP keys in local mode	–	0
F 7 3 4	Enable / disable the local stop emergency function	–	0
F 7 3 5	Disabling of graphic display terminal fault reset function	–	1
F 7 3 8	Display of submenu AUF	–	0
F 7 4 8	Accumulated power consumption memory	–	1
F 8 0 0	Baud rate	–	1
F 8 0 1	Parity	–	1
F 8 0 2	Address	–	1
F 8 0 3	Time-out	s	3
F 8 2 9	Protocol	–	1
F 8 5 1	Communication fault setting	–	4
F 8 5 6	Motor poles for communication	–	2
F 8 7 0	Block write data 1	–	0
F 8 7 1	Block write data 2	–	0
F 8 7 5	Block read data 1	–	0
F 8 7 6	Block read data 2	–	0
F 8 7 7	Block read data 3	–	0
F 8 7 8	Block read data 4	–	0
F 8 7 9	Block read data 5	–	0
F 8 8 0	Free notes	–	0

Parameters reset tables

Parameter	Description	Unit	Default Value
<i>F B 9 0</i>	Parameter for option 1	–	(1)
<i>F B 9 1</i>	Parameter for option 2	–	(1)
<i>F B 9 2</i>	Parameter for option 3	–	(1)
<i>F B 9 3</i>	Parameter for option 4	–	(1)
<i>F B 9 4</i>	Parameter for option 5	–	(1)
<i>F B 9 5</i>	Parameter for option 6	–	(1)
<i>F B 9 6</i>	Parameter for option 7	–	(1)
<i>F 9 1 0</i>	Permanent magnet motor step-out detection current level	%/A	100
<i>F 9 1 1</i>	Permanent magnet motor step-out detection time	s	0.00
<i>F 9 1 2</i>	Permanent magnet motor high-speed torque adjustment coefficient	–	0

(1) See table page [117](#).

Parameters reset tables

Parameter values that vary according to reset type

The table below lists the parameters whose values, after a reset, depend on the reset type ($\text{LYP} = 1$, $\text{LYP} = 2$, or $\text{LYP} = 3$).

To determine the value of a parameter after a reset, locate the parameter in the first column and read across the row to the column that corresponds to the reset type. The number that appears at the intersection of the parameter and the reset type is the parameter's value after a reset of the corresponding type.

Parameters whose values after a reset vary by reset type

Parameter	Description	Unit	Factory Reset $\text{LYP} = 3$	50 Hz Reset $\text{LYP} = 1$	60 Hz Reset $\text{LYP} = 2$
$C\ N\ 0\ d$	drive start/stop control source	–	0	1	1
$F\ N\ 0\ d$	drive primary speed reference source	–	0	1	1
$F\ H$	Maximum frequency	Hz	50	50	60
$U\ L$	High speed	Hz	50	50	60
$\omega\ L$	Motor rated frequency	Hz	50	50	60
$F\ 1\ 7\ 0$	Motor 2 rated frequency	Hz	50	50	60
$F\ 2\ 0\ 4$	VIA output frequency level 2	Hz	50	50	60
$F\ 2\ 1\ 3$	VIB output frequency level 2	Hz	50	50	60
$F\ 3\ 0\ 3$	Auto fault reset	–	0	0	0
$F\ 4\ 8\ 0$	Magnetizing current coefficient	%	100	0	100
$F\ 4\ 8\ 1$	Line noise compensation filter	micro-seconds	0	100	0
$F\ 8\ 1\ 4$	Communication output frequency level 2	Hz	50	50	60

Parameter values that vary according to drive model, but not reset type

The table below lists the parameters whose values, after a reset, depend on the drive model.

To determine the value of a parameter after a reset, locate the drive model number in first column and read across the row to the column that corresponds to the parameter code. The number that appears at the intersection of the model number and the parameter code is the parameter's value after a reset. These values are the same for all reset types ($\text{LYP} = 1$, $\text{LYP} = 2$, or $\text{LYP} = 3$).

Parameters reset tables

Parameters whose values after a reset are drive model dependant but DO NOT vary by reset type

Reference	Parameter												
	ACC	dEC	uLu	ub	F171	F172	F300	F402	F494	F500	F501	F626	F748
ATV21H075M3X	10	10	200	6	200	6	12	5.8	80	10	10	140	0
ATV21HU15M3X	10	10	200	6	200	6	12	4.3	70	10	10	140	0
ATV21HU22M3X	10	10	200	5	200	5	12	4.1	70	10	10	140	0
ATV21HU30M3X	10	10	200	5	200	5	12	3.4	70	10	10	140	0
ATV21HU40M3X	10	10	200	5	200	5	12	3.4	70	10	10	140	1
ATV21HU55M3X	10	10	200	4	200	4	12	3.0	70	10	10	140	1
ATV21HU75M3X	10	10	200	3	200	3	12	2.5	70	10	10	140	1
ATV21HD11M3X	10	10	200	2	200	2	12	2.3	60	10	10	140	1
ATV21HD15M3X	10	10	200	2	200	2	12	2.0	50	10	10	140	1
ATV21HD18M3X	30	30	200	2	200	2	8	2.0	50	30	30	140	1
ATV21HD22M3X	30	30	200	2	200	2	8	1.8	50	30	30	140	1
ATV21HD30M3X	30	30	200	2	200	2	8	1.8	50	30	30	140	1
ATV21H075N4	10	10	400	6	400	6	12	5.8	80	10	10	140	0
ATV21HU15N4	10	10	400	6	400	6	12	4.3	70	10	10	140	0
ATV21HU22N4	10	10	400	5	400	5	12	4.1	70	10	10	140	0
ATV21HU30N4	10	10	400	5	400	5	12	3.4	70	10	10	140	0
ATV21HU40N4	10	10	400	5	400	5	12	3.4	70	10	10	140	1
ATV21HU55N4	10	10	400	4	400	4	12	2.6	70	10	10	140	1
ATV21HU75N4	10	10	400	3	400	3	12	2.3	70	10	10	140	1
ATV21HD11N4	10	10	400	2	400	2	12	2.2	60	10	10	140	1
ATV21HD15N4	10	10	400	2	400	2	12	1.9	50	10	10	140	1
ATV21HD18N4	30	30	400	2	400	2	8	1.9	50	30	30	140	1
ATV21HD22N4	30	30	400	2	400	2	8	1.8	50	30	30	140	1
ATV21HD30N4	30	30	400	2	400	2	8	1.8	50	30	30	140	1
ATV21HD37N4	30	30	400	2	400	2	8	1.8	50	20	20	140	1
ATV21HD45N4	30	30	400	2	400	2	8	1.7	50	20	20	140	1
ATV21HD55N4	30	30	400	2	400	2	8	1.6	40	20	20	140	1
ATV21HD75N4	30	30	400	2	400	2	8	1.5	40	20	20	140	1

Parameters reset tables

Parameter values that vary according to drive model and reset type

The table below lists the parameters whose values, after a reset, depend on the drive model and the reset type ($t_{YP} = 1$, $t_{YP} = 2$, or $t_{YP} = 3$). To determine the value of a parameter after a reset:

1. Locate the drive model number in the first column.
2. Read across the row to the group of columns that corresponds to the reset type ($t_{YP} = 1$, $t_{YP} = 2$, or $t_{YP} = 3$).
3. Locate the parameter code in the columns corresponding to the reset type.

The number that appears at the intersection of the drive model number and the parameter code is the parameter's value after a reset of the specified type.

Parameters whose values after a reset are drive model and reset type dependant

Reference	Factory reset $t_{YP} = 3$				50 Hz reset $t_{YP} = 1$							60 Hz reset $t_{YP} = 2$						
	tHr	F173	F185	F601	tHr	F173	F185	F415	F416	F417	F601	tHr	F173	F185	F415	F416	F417	F601
ATV21H075M3X	100	100	110	110	4.6	4.6	5.1	3.5	3.2	1400	5.1	4.6	4.6	5.1	3.0	2.7	1700	5.1
ATV21HU15M3X	100	100	110	110	7.5	7.5	8.3	6.1	5.3	1420	8.3	7.5	7.5	8.3	5.8	5.0	1715	8.3
ATV21HU22M3X	100	100	110	110	10.6	10.6	11.7	8.8	7.3	1430	11.7	10.6	10.6	11.7	8.0	6.6	1715	11.7
ATV21HU30M3X	100	100	110	110	13.7	13.7	15.1	12.5	11.0	1420	15.1	13.7	13.7	15.1	12.4	10.9	1760	15.1
ATV21HU40M3X	100	100	110	110	17.5	17.5	19.3	15.8	13.7	1425	19.3	17.5	17.5	19.3	15.2	13.2	1769	19.3
ATV21HU55M3X	100	100	110	110	24.2	24.2	26.6	20.6	16.7	1430	26.6	24.2	24.2	26.6	22.0	17.8	1780	26.6
ATV21HU75M3X	100	100	110	110	32.0	32.0	35.2	26.3	20.3	1450	35.2	32.0	32.0	35.2	28.0	21.6	1780	35.2
ATV21HD11M3X	100	100	110	110	46.2	46.2	50.8	36.9	27.3	1450	50.8	46.2	46.2	50.8	36.0	26.6	1766	50.8
ATV21HD15M3X	100	100	110	110	61.0	61.0	67.1	49.5	36.6	1455	67.1	61.0	61.0	67.1	48.0	35.5	1771	67.1
ATV21HD18M3X	100	100	110	110	74.8	74.8	82.3	61.0	45.1	1455	82.3	74.8	74.8	82.3	61.0	45.1	1771	82.3
ATV21HD22M3X	100	100	110	110	88.0	88.0	96.8	68.0	50.3	1460	96.8	88.0	88.0	96.8	68.0	50.3	1771	96.8
ATV21HD30M3X	100	100	110	110	117	117	128.7	93.0	65.1	1460	128.7	117	117	128.7	93.0	65.1	1771	128.7
ATV21H075N4	100	100	110	110	2.2	2.2	2.4	2.0	1.8	1400	2.4	2.2	2.2	2.4	1.5	1.4	1700	2.4
ATV21HU15N4	100	100	110	110	3.7	3.7	4.1	3.5	3.0	1420	4.1	3.7	3.7	4.1	2.9	2.5	1715	4.1
ATV21HU22N4	100	100	110	110	5.1	5.1	5.6	5.1	4.2	1430	5.6	5.1	5.1	5.6	4.0	3.3	1715	5.6
ATV21HU30N4	100	100	110	110	7.2	7.2	7.9	7.2	6.3	1420	7.9	7.2	7.2	7.9	6.2	5.5	1760	7.9
ATV21HU40N4	100	100	110	110	9.1	9.1	10.0	9.1	7.9	1425	10.0	9.1	9.1	10.0	7.6	6.6	1769	10.0
ATV21HU55N4	100	100	110	110	12.0	12.0	13.2	11.9	9.6	1430	13.2	12.0	12.0	13.2	11.0	8.9	1780	13.2
ATV21HU75N4	100	100	110	110	16.0	16.0	17.6	15.2	11.7	1450	17.6	16.0	16.0	17.6	14.0	10.8	1780	17.6
ATV21HD11N4	100	100	110	110	22.5	22.5	24.8	21.3	15.8	1450	24.8	22.5	22.5	24.8	21.0	15.5	1766	24.8
ATV21HD15N4	100	100	110	110	30.5	30.5	33.6	28.6	21.2	1455	33.6	30.5	30.5	33.6	27.0	20.0	1771	33.6
ATV21HD18N4	100	100	110	110	37.0	37.0	40.7	35.1	26.0	1455	40.7	37.0	37.0	40.7	35.1	26.0	1771	40.7
ATV21HD22N4	100	100	110	110	43.5	43.5	47.9	41.7	30.9	1460	47.9	43.5	43.5	47.9	41.7	30.9	1771	47.9
ATV21HD30N4	100	100	110	110	58.5	58.5	64.4	55.0	38.5	1460	64.4	58.5	58.5	64.4	55.0	38.5	1771	64.4
ATV21HD37N4	100	100	110	110	-	-	-	67	-	1475	-	-	-	-	67	-	1771	-
ATV21HD45N4	100	100	110	110	-	-	-	81	-	1475	-	-	-	-	71	-	1771	-
ATV21HD55N4	100	100	110	110	-	-	-	99	-	1480	-	-	-	-	86	-	1771	-
ATV21HD75N4	100	100	110	100	-	-	-	135	-	1480	-	-	-	-	114	-	1771	-

Parameters reset tables

Parameter values that do not change if reset

The parameters listed in the table below cannot be reset. The table lists the default settings of these parameters.

Parameters whose values do not change if a reset is performed

Parameter	Description	Default Value
<i>F 0</i>	Analog output scaling	–
<i>F 0 5 L</i>	Analog output selection function	0
<i>F 1 0 9</i>	VIA input function (analog or logic selection)	0
<i>F 4 7 0</i>	VIA analog input bias	128
<i>F 4 7 1</i>	VIA analog input gain	148
<i>F 4 7 2</i>	VIB analog input bias	128
<i>F 4 7 3</i>	VIB analog input gain	148
<i>F 8 8 0</i>	Free notes	0

User settings tables

Use the Configuration Setting Table to look up parameter default settings, to record customized parameter settings, and to look up sections of the manual, by page number, that contain detailed parameter descriptions

Configuration Setting Table

Code	Page	Name	Unit	Adjustment Range / Function		Factory Setting	User Setting
<i>FC</i>	54	Local mode speed reference	Hz	–	<i>LL</i> to <i>UL</i>	0.0	
<i>AU1</i>	37	Auto ramp adaptation	-	0	Disabled	1	
				1	Enabled (<i>ACC</i> and <i>DEC</i>)		
				2	Enabled (<i>ACC</i> only)		
<i>AU4</i>	42	Macro programming	-	0	Factory setting	0	
				1	Run permissive		
				2	3-wire control		
				3	+/- speed		
				4	4–20 mA control		
<i>CND</i>	54	Remote mode start/stop control source	-	0	Control terminal logic inputs	0	
				1	graphic display terminal		
				2	Serial communication		
<i>FND</i>	54	Remote mode primary speed reference source	-	1	VIA	1	
				2	VIB		
				3	graphic display terminal		
				4	Serial communication		
				5	+/- Speed		
<i>FNSL</i>	83	Analog output function selection	-	0	Output frequency	0	
				1	Output current		
				2	Speed reference		
				3	DC bus voltage		
				4	Output motor voltage		
				5	Input power		
				6	Output power		
				7	Estimated motor torque		
				8	Motor torque current		
				9	Motor thermal state		
				10	drive thermal state		
				11	DO NOT USE		
				12	Internal speed reference (after PID)		
				13	VIA input value		
				14	VIB input value		
				15	Fixed output – 100% signal (Selection 1 – output current)		
				16	Fixed output – 50% signal (Selection 1 – output current)		
				17	Fixed output – 100% signal (Selections 0, 2, 3, 4, 5, 6, 7, 8, 9,10,12,13, 14, 18)		
				18	Serial communication data		
19	DO NOT USE						
<i>FN</i>	38	Analog output scaling	-	–	–	–	

User settings tables

Code	Page	Name	Unit	Adjustment Range / Function		Factory Setting	User Setting
EtYP	41	Parameter reset	-	0	No action	0	-
				1	50 Hz parameter reset		
				2	60 Hz parameter reset		
				3	Factory reset		
				4	Fault history reset		
				5	Elapsed motor run time reset		
				6	Reset of EtYP fault		
				7	Save user-defined settings		
				8	Recall used-defined settings		
				9	Elapsed drive run time reset		
Fr	54	Local mode motor rotation direction command	-	0	Run FORWARD Only	0	
				1	Run REVERSE Only		
				2	Run FORWARD with reverse selectable		
				3	Run REVERSE with forward selectable		
ACC	37	Acceleration time 1	s	-	0.0 – 3200	Model dependant	
DEC	37	Deceleration time 1	s	-	0.0 – 3200	Model dependant	
FH	59	Maximum frequency	Hz	-	30.0 – 200.0	80.0	
UL	59	High speed	Hz	-	0.5 – FH	50.0	
LL	59	Low speed	Hz	-	0.0 – UL	0.0	
UL	40	Motor rated frequency	Hz	-	25.0 – 200.00	50.0	
ULV	40	Motor rated voltage	V	230 V models	50 – 330	230	
				460 V models	50 – 660	400	
PE	45	Motor control mode	-	0	Constant V/Hz	1	
				1	Variable torque		
				2	Constant V/Hz with automatic torque boost		
				3	Sensorless vector control		
				4	Energy savings		
				5	Reserved (DO NOT USE)		
				6	Reserved (DO NOT USE)		
ub	47	Motor voltage boost	%	-	0.0 – 30.0	Model dependant	
EHr	48	Motor rated current overload setting	%/A	-	10 – 100% of drive's output current rating	100%	
OLP	108	Motor overload characteristics	-	0	Self cooled, overload protection	0	
				1	Self cooled, overload protection and stall		
				2	Self cooled		
				3	Self cooled, overload stall		
				4	Forced cooled, overload protection		
				5	Forced cooled, overload protection and stall		
				6	Forced cooled		
				7	Forced cooled, overload stall		

User settings tables

Code	Page	Name	Unit	Adjustment Range / Function		Factory Setting	User Setting
<i>Sr 1</i>	90	Preset speed 1	Hz	1	<i>LL</i> to <i>UL</i>	15	
<i>Sr 2</i>	90	Preset speed 2	Hz	1	<i>LL</i> to <i>UL</i>	20	
<i>Sr 3</i>	90	Preset speed 3	Hz	1	<i>LL</i> to <i>UL</i>	25	
<i>Sr 4</i>	90	Preset speed 4	Hz	1	<i>LL</i> to <i>UL</i>	30	
<i>Sr 5</i>	90	Preset speed 5	Hz	1	<i>LL</i> to <i>UL</i>	35	
<i>Sr 6</i>	90	Preset speed 6	Hz	1	<i>LL</i> to <i>UL</i>	40	
<i>Sr 7</i>	90	Preset speed 7	Hz	1	<i>LL</i> to <i>UL</i>	45	
<i>F 100</i>	92	Relay output - frequency level 1 attained	Hz	-	0.0 to <i>FH</i>	0.0	
<i>F 101</i>	92	Relay output - frequency level 2 attained	Hz	-	0.0 to <i>FH</i>	0.0	
<i>F 102</i>	93	Frequency attained detection band	Hz	-	0.0 to <i>FH</i>	2.5	
<i>F 108</i>	89	Always active logic function 1	-	0 – 71	See table on pages 67 to 69	0	
<i>F 109</i>	80	VIA input function (analog or logic selection)	-	0	Analog input	0	
				1	Logic input – sink (negative logic)		
				2	Logic input – source (positive logic)		
<i>F 110</i>	89	Always Active logic function 2	-	0 – 72	See table on pages 67 to 69	1	
<i>F 111</i>	80	F logic input function	-	0 – 72	See table on pages 67 to 69	2	
<i>F 112</i>	80	R logic input function	-	0 – 72	See table on pages 67 to 69	6	
<i>F 113</i>	80	RES logic input function	-	0 – 72	See table on pages 67 to 69	10	
<i>F 118</i>	80	VIA logic input function	-	0 – 72	See table on pages 67 to 69	7	
<i>F 130</i>	85	RY-RC relay primary function	-	0 – 61, 254, 255	See table on pages 72 to 76	4	
<i>F 132</i>	85	FL relay function	-	0 – 61, 254, 255	See table on pages 72 to 76	11	
<i>F 137</i>	92	RY-RC relay secondary function	-	0 – 61, 254, 255	See table on pages 72 to 76	255	
<i>F 139</i>	92	RY-RC relay function logic selection	-	0	<i>F 130</i> (primary) and <i>F 137</i> (secondary)	0	
				1	<i>F 130</i> (primary) or <i>F 137</i> (secondary)		
<i>F 146</i>	85	Delay for RY-RC Relay	s	-	0.0 – 60.0 s	0.0	
<i>F 147</i>	85	Delay for FL Relay	s	-	0.0 – 60.0 s	0.0	
<i>F 160</i>	81	Threshold logic for relay link to VIA	%	-	0 – 100	0	
<i>F 161</i>	81	Hysteresis threshold for logic relay link to VIA	%	-	0 – 20	3	
<i>F 162</i>	81	Threshold logic for relay link to VIB	%	-	0 – 100	0	
<i>F 163</i>	81	Hysteresis threshold for logic relay link to VIB	%	-	0 – 20	3	
<i>F 167</i>	93	Frequency command agreement detection range	Hz	-	0.0 to <i>FH</i>	2.5	
<i>F 170</i>	52	Motor 2 rated frequency	Hz	-	25.0 to 200.0	50.0	

User settings tables

Code	Page	Name	Unit	Adjustment Range / Function		Factory Setting	User Setting
F 171	52	Motor 2 rated voltage	V	230V model	50 to 330	230	
				460V model	50 to 660	400	
F 172	52	Motor 2 voltage boost	%	-	0 – 30	Model dependant	
F 173	52	Motor 2 rated current overload setting	%/A	-	10 – 100% of drive rating	100	
F 185	52	Motor 2 current limit	%/A	-	10 – 110%	110	
F 200	83	Auto/manual speed reference switching	-	0	Enabled	0	
				1	Disabled		
F 201	81	VIA speed reference level 1	%	-	0 – 100	0	
F 202	81	VIA output frequency level 1	Hz	-	0.0 – 200.0	0.0	
F 203	81	VIA speed reference level 2	%	-	0 – 100	100	
F 204	81	VIA output frequency level 2	Hz	-	0.0 – 200.0	50.0	
F 207	56	Remote mode secondary speed reference source	-	1	VIA	2	
				2	VIB		
				3	graphic display terminal		
				4	Serial communication		
				5	+/- Speed		
F 210	81	VIB speed reference level 1	%	-	0 – 100	0	
F 211	81	VIB output frequency level 1	Hz	-	0.0 – 200.0	0.0	
F 212	81	VIB speed reference level 2	%	-	0 – 100	100	
F 213	81	VIB output frequency level 2	Hz	-	0.0 – 200.0	50.0	
F 240	60	Output starting frequency	Hz	-	0.5 – 10.0	0.5	
F 241	114	Operating starting frequency	Hz	-	0.0 – FH	0.0	
F 242	114	Operating starting frequency hysteresis	Hz	-	0.0 – FH	0.0	
F 250	66	DC braking starting frequency	Hz	-	0.0 – FH	0.0	
F 251	66	DC braking current level	%/A	-	0 – 100%	50	
F 252	66	DC braking time	s	-	0.0 – 20.0	1.0	
F 256	56	Sleep/wake Operation	s	Disabled	0.0	0.0	
				Enabled	0.1 – 600.0		
F 264	91	+ speed logic input response time	s	-	0.0 – 10.0	0.1	
F 265	91	+ speed frequency steps	Hz	-	0.0 – FH	0.1	
F 266	91	- speed logic input response time	s	-	0.0 – 10.0	0.1	
F 267	91	- speed frequency steps	Hz	-	0.0 – FH	0.1	
F 268	91	Initial +/- speed frequency	Hz	-	0.0 – FH	0.0	
F 269	91	Reset of initial +/- speed frequency	-	0	Disabled	1	
				1	Enabled		
F 270	65	Skip frequency 1 midpoint	Hz	-	0.0 – FH	0.0	
F 271	65	Skip frequency 1 bandwidth	Hz	-	0.0 – 30.0	0.0	
F 272	65	Skip frequency 2 midpoint	Hz	-	0.0 – FH	0.0	
F 273	65	Skip frequency 2 bandwidth	Hz	-	0.0 – 30.0	0.0	

User settings tables

Code	Page	Name	Unit	Adjustment Range / Function		Factory Setting	User Setting
F 2 7 4	65	Skip frequency 3 midpoint	Hz	-	0.0 – F H	0.0	
F 2 7 5	65	Skip frequency 3 bandwidth	Hz	-	0.0 – 30.0	0.0	
F 2 9 4	57	Forced speed frequency	Hz	-	L L – U L	50.0	
F 2 9 5	55	Bumpless transfer from remote to local control	-	0	Disabled	1	
				1	Enabled		
F 3 0 0	64	Switching frequency level	kHz	-	6.0 – 16.0	Model dependant	
F 3 0 1	99	Catch on the fly	-	0	Disabled	3	
				1	After brief power loss		
				2	After run permissive is restored		
				3	After brief power loss or run permissive is restored		
				4	During every startup		
F 3 0 2	100	Cost to stop on momentary loss of input power	-	0	Disabled	0	
				1	DO NOT SELECT		
				2	Coast to stop		
F 3 0 3	97	Auto fault reset	-	0	Disabled	3	
				1-10	Number of fault reset attempts		
F 3 0 5	101	Overvoltage fault protection	-	0	Enabled	2	
				1	Disabled		
				2	Enabled (quick deceleration mode)		
				3	Enabled (dynamic quick deceleration mode)		
F 3 0 7	51	Supply voltage correction and motor voltage limitation	-	0	Supply voltage uncorrected – motor voltage limited	3	
				1	Supply voltage corrected – motor voltage limited		
				2	Supply voltage uncorrected – motor voltage unlimited		
				3	Supply voltage corrected – motor voltage unlimited		
F 3 1 1	57	Motor rotation direction command	-	0	Forward and Reverse operation PERMITTED	1	
				1	Reverse operation PROHIBITED		
				2	Forward operation PROHIBITED		
F 3 1 2	64	Switching frequency random mode	-	0	Disabled	0	
				1	Enabled		
F 3 1 6	64	Switching frequency control mode	-	0	All models: switching frequency NOT automatically reduced	1	
				1	All models: switching frequency automatically reduced		
				2	460 V models*: switching frequency NOT automatically reduced		
				3	460 V models*: switching frequency automatically reduced		
F 3 2 0	115	Droop gain	%	-	0 – 100%	0	
F 3 2 3	115	Droop insensitive torque band	%	-	0 – 100%	10	

User settings tables

Code	Page	Name	Unit	Adjustment Range / Function		Factory Setting	User Setting
F 3 5 9	87	PID control waiting time	s	-	0 – 2400	0	
F 3 6 0	86	PID control enable	-	0	PID disabled	0	
				1	Enabled – feedback source: VIA		
				2	Enabled – feedback source: VIB		
F 3 6 2	86	PID proportional gain	-	-	0.01 – 100.0	0.30	
F 3 6 3	86	PID Integral gain	-	-	0.01 – 100.0	0.20	
F 3 6 6	87	PID derivative gain	-	-	0.00 – 2.55	0.00	
F 3 8 0	87	PI regulator reversal direction correction	-	0	No	0	
				1	Yes		
F 3 9 1	87	Stop on LL hysteresis	Hz	-	0.0 – <i>F H</i>	0.2	
F 3 9 2	87	PI wake up threshold on PI error	Hz	-	0.0 – <i>F H</i>	0.0	
F 3 9 3	87	PI wake up threshold on PI feedback error	Hz	-	0.0 – <i>F H</i>	0.0	
F 4 0 0	49	Auto tuning enable	-	0	Disabled	0	
				1	Enabled – parameter <i>F 4 0 2</i> may need adjustment		
				2	Enabled – complete auto tuning		
F 4 0 1	53	Slip compensation	%	-	0 – 150	50	
F 4 0 2	53	Auto torque boost	%	-	0.0 – 30.0	Model dependant	
F 4 1 5	48	Motor rated full load current	A	-	0.1 – 200.0	Model dependant	
F 4 1 6	48	Motor no-load current	%	-	10.0 – 100.0	Model dependant	
F 4 1 7	48	Motor rated speed	rpm	-	100 – 15,000	Model dependant	
F 4 1 8	53	Frequency loop gain	-	-	1 – 150	40	
F 4 1 9	53	Frequency loop stability	-	-	1 – 100	20	
F 4 7 0	82	VIA analog input bias	-	-	0 – 255	128	
F 4 7 1	82	VIA analog input gain	-	-	0 – 255	148	
F 4 7 2	82	VIB analog input bias	-	-	0 – 255	128	
F 4 7 3	82	VIB analog input gain	-	-	0 – 255	148	
F 4 8 0	50	Magnetizing current coefficient	-	-	100 – 130	100	
F 4 8 1	106	Line noise compensation filter	μs	-	0 – 9999	0	
F 4 8 2	106	Line noise inhibitor filter	μs	-	0 – 9999	442	
F 4 8 3	106	Line noise inhibitor gain	-	-	0.0 – 300.0	100.0	
F 4 8 4	106	Power supply adjustment gain	-	-	0.0 to 2.0	0.0	
F 4 8 5	50	Stall prevention control coefficient 1	-	-	10 – 250	100	
F 4 9 2	50	Stall prevention control coefficient 2	-	-	50 – 150	100	
F 4 9 4	50	Motor adjustment coefficient	-	-	DO NOT ADJUST	Model dependant	
F 4 9 5	50	Maximum voltage adjustment coefficient	%	-	90 – 120	104	
F 4 9 6	50	Waveform switching adjustment coefficient	kHz	-	0.1 – 14.0	14.0	
F 5 0 0	61	Acceleration time 2	s	1	0.0 – 3200	20.0	
F 5 0 1	61	Deceleration time 2	s	1	0.0 – 3200	20.0	

User settings tables

Code	Page	Name	Unit	Adjustment Range / Function		Factory Setting	User Setting
F502	61	Acc/Dec pattern 1	-	0	Linear	0	
				1	S-pattern 1		
				2	S-pattern 2		
F503	62	Acc/Dec pattern 2	-	0	Linear	0	
				1	S-pattern 1		
				2	S-pattern 2		
F504	63	Acc/Dec pattern selection (ramp switching)	-	1	Acc/Dec pattern 1	1	
				2	Acc/Dec pattern 2		
F505	63	Acc/Dec pattern switching frequency	Hz	-	0.0 – <i>ULL</i>	0.0	
F506	62	Acc/Dec S-pattern lower limit	%	-	0 – 50	10	
F507	62	Acc/Dec S-pattern upper limit	-	-	0 – 50	10	
F601	47	Motor current limit	%/A	-	10 – 110%	110%	
F602	100	Drive fault memory	-	0	Cleared	0	
				1	Retained		
F603	93	External fault stop mode	-	0	Freewheel stop	0	
				1	Ramp stop		
				2	DC injection braking		
F604	93	External fault DC braking time	s	-	0.0 – 20.0	1.0	
F605	102	Output phase failure detection mode	-	0	Disabled	3	
				1	At first start-up		
				2	At every start-up		
				3	During operation		
				4	At start-up and during operation		
5	Load side disconnect mode						
F607	48	Motor overload time	s	-	10 – 2400	300	
F608	100	Input phase failure detection mode	-	0	Disabled	1	
				1	Enabled		
F609	103	Underload detection level bandwidth	%	-	1 – 20	10	
F610	103	Underload fault/alarm selection	-	0	Alarm	0	
				1	Fault		
F611	103	Underload detection level	%/A	-	0 – 100%	0	
F612	103	Underload detection time	s	-	0 – 255	0	
F613	104	Output short-circuit detection mode	-	0	Each time (standard pulse)	0	
				1	Only one time after power is turned on (standard pulse)		
				2	Each time (short-time pulse)		
				3	Only one time after power is turned on (short-time pulse)		
F615	105	Overtorque fault/alarm selection	-	0	Alarm	0	
				1	Fault		
F616	105	Overtorque detection level	%	-	0 – 250	130	
F618	105	Overtorque detection time	s	-	0.0 – 10.0	0.5	

User settings tables

Code	Page	Name	Unit	Adjustment Range / Function		Factory Setting	User Setting
<i>F 6 1 9</i>	105	Overtorque detection level bandwidth	%	-	0 – 100%	10	
<i>F 6 2 1</i>	95	Run time alarm setting	h	-	0.0 – 999.9 (0.1 = 1 hour, 100 = 1000 hours)	610.0	
<i>F 6 2 6</i>	101	Overvoltage fault operation level	%	1	100 – 150% of nominal DC bus voltage	140	
<i>F 6 2 7</i>	101	Undervoltage fault operation mode	-	0	Alarm only (detection level below 60%)	0	
				1	Fault (detection below 60%)		
				2	Alarm only (detection level below 50%)		
<i>F 6 3 2</i>	100	Motor overload memory	-	0	Cleared	0	
				1	Retained		
<i>F 6 3 3</i>	104	Loss of VIA analog signal	%	0	Disabled	0	
				1 – 100	Fault detection level		
<i>F 6 3 4</i>	106	Ambient temperature for drive service alarm	-	1	-10 – 10°C	3	
				2	11 – 20°C		
				3	21 – 30°C		
				4	31 – 40°C		
				5	41 – 50°C		
				6	51 – 60°C		
<i>F 6 4 4</i>	104	Drive behaviour on 4-20 event	-	0	No	0	
				1	Freewheel		
				2	Fallback speed		
				3	Speed maintain		
<i>F 6 4 5</i>	88	PTC motor thermal protection enable	-	0	disabled	0	
				1	Enabled (fault mode)		
				2	Enabled (alarm mode)		
<i>F 6 4 6</i>	88	PTC resistor value	Ω	-	100 – 9999	3000	
<i>F 6 4 9</i>	104	Fallback speed	Hz	-	0 – <i>F H</i> Hz	0	
<i>F 6 5 0</i>	57	Forced speed enable	-	0	Disabled	0	
				1	Enabled		
<i>F 6 9 1</i>	84	Analog output slope	-	0	Negative slope	1	
				1	Positive slope		
<i>F 6 9 2</i>	84	Analog output bias	%	-	0 – 100%	0	
<i>F 6 9 4</i>	84	Low frequency when analog output equal 0 V	Hz	-	0 – <i>F H</i> Hz	0	
<i>F 6 9 5</i>	84	High frequency when analog output equal 0 V	Hz	-	0 – <i>F H</i> Hz	0	
<i>F 7 0 0</i>	43	Parameter lock	-	0	All parameters are unlocked and can be changed. But see table on page 23 for those that cannot be changed while the drive is running	0	
				1	Only parameter <i>F 7 0 0</i> can be changed.		
<i>F 7 0 1</i>	94	Graphic display terminal display: % or A/V unit	-	0	%	1	
				1	A (amperes) or V (volts)		

User settings tables

Code	Page	Name	Unit	Adjustment Range / Function	Factory Setting	User Setting	
<i>F 702</i>	95	Custom frequency display conversion factor	-	0	Frequency displayed in Hz	0	
				0.01 – 200.0	Conversion factor		
<i>F 703</i>	95	Frequency free unit conversion selection	-	0	All frequencies display free unit	0	
				1	PID frequencies free unit conversion		
<i>F 705</i>	96	Custom frequency display conversion slope	-	0	Negative slope	1	
				1	Positive slope		
<i>F 706</i>	96	Custom frequency display conversion bias	Hz	-	0.00 – <i>F H</i>	0.00	
<i>F 707</i>	55	Local mode speed reference step changes	Hz	Disabled	0.00	0.00	
				Enabled	0.01 – <i>F H</i>		
<i>F 708</i>	94	Graphic display terminal frequency display resolution	-	0	Disabled – 0.1 Hz steps	0	
				1 – 255	See formula on page 95		
<i>F 710</i>	94	Default graphic display terminal operational display value	-	0	Motor operating frequency, (Hz or custom display, see <i>F 702</i> page 95)	0	
				1	Speed reference, (Hz or custom display, see <i>F 702</i> page 95)		
				2	Motor current, (% or A, see <i>F 701</i> page 94)		
				3	drive rated current (A)		
				4	drive thermal state (%)		
				5	Output power (kW)		
				6	Internal speed reference (after PID function), (Hz or custom display, see <i>F 702</i> page 95)		
				7	Serial communication data		
				8	Output speed (rpm, see <i>F 417</i> page 48)		
				9	Displays the counter numbers of communication through the network		
10	Displays the counter numbers of communication only at the normal state in all communication through the network.						
<i>F 721</i>	55	Local mode motor stop type	-	0	Ramp stop	0	
				1	Freewheel stop		
<i>F 730</i>	58	Disabling of graphic display terminal speed reference change keys	-	0	Enabled	0	
				1	Disabled		
<i>F 732</i>	58	Disabling of graphic display terminal local/remote key	-	0	Permitted (still retained with the power off)	0	
				1	Prohibited		
				2	Permitted (cancelled with the power off)		

User settings tables

Code	Page	Name	Unit	Adjustment Range / Function		Factory Setting	User Setting
F 733	58	Disabling of graphic display terminal RUN and STOP keys in local mode	-	0	Enabled	0	
				1	Disabled		
F 734	58	Enable / disable the local stop emergency function	-	0	Enabled	0	
				1	Disabled		
F 735	58	Disabling of graphic display terminal fault reset function	-	0	Enabled	1	
				1	Disabled		
F 738	43	Display of submenu AUF	-	0	AUF displayed	0	
				1	AUF not displayed		
F 748	95	Accumulated power consumption memory	-	0	Disabled	1	
				1	Enabled		
F 749	95	Accumulated power consumption display unit	kWh	0	1 kWh	Model dependent	
				1	0.1 kWh		
				2	0.01 kWh		
				3	0.001 kWh		
F 800	110	Baud rate	-	0	9600 bps	1	
				1	19200 bps		
F 801	110	Parity	-	0	No parity	1	
				1	Even parity		
				2	Odd parity		
F 802	110	Address	-	-	0 – 247	1	
F 803	110	Time-out	s	0	Communication error detection disabled	3	
				1-100	Seconds		
F 829	117	Protocol	-	0	DO NOT USE	1	
				1	Modbus RTU		
				2	Metasys N2		
				3	Apogee P1 FLN		
				4	BACnet		
F 851	110	Communication fault setting	-	0	drive ramps to a stop. Serial control is relinquished to the sources defined by F 00d and C 00d.	4	
				1	Last commanded operation continues		
				2	drive ramps to a stop. Serial control is maintained.		
				3	drive removes power from the motor which coasts to a stop. Serial control is maintained.		
				4	drive faults with either a communication error Err 5 or a network error Err B.		

User settings tables

Code	Page	Name	Unit	Adjustment Range / Function		Factory Setting	User Setting
FB56	111	Motor poles for communication	-	1	2 poles	2	
				2	4 poles		
				3	6 poles		
				4	8 poles		
				5	10 poles		
				6	12 poles		
				7	14 poles		
				8	16 poles		
FB70	111	Block write data 1	-	0	No selection	0	
				1	Command 1		
				2	Command 2		
				3	Frequency command		
				4	Output data on the terminal board		
				5	Analog output for communications		
				6	Motor speed command		
FB71	111	Block write data 2	-	0	No selection	0	
				1	Command 1		
				2	Command 2		
				3	Frequency command		
				4	Output data on the terminal board		
				5	Analog output for communications		
				6	Motor speed command		
FB75	111	Block read data 1	-	0	No selection	0	
				1	Status information		
				2	Output frequency		
				3	Output current		
				4	Output voltage		
				5	Alarm information		
				6	PID feedback value		
				7	Input terminal board monitor		
				8	Output terminal board monitor		
				9	VIA terminal board monitor		
				10	VIB terminal board monitor		
				11	Output motor speed monitor		

User settings tables

Code	Page	Name	Unit	Adjustment Range / Function		Factory Setting	User Setting
FB76	112	Block read data 2	-	0	No selection	0	
				1	Status information		
				2	Output frequency		
				3	Output current		
				4	Output voltage		
				5	Alarm information		
				6	PID feedback value		
				7	Input terminal board monitor		
				8	Output terminal board monitor		
				9	VIA terminal board monitor		
				10	VIB terminal board monitor		
				11	Output motor speed monitor		
FB77	112	Block read data 3	-	0	No selection	0	
				1	Status information		
				2	Output frequency		
				3	Output current		
				4	Output voltage		
				5	Alarm information		
				6	PID feedback value		
				7	Input terminal board monitor		
				8	Output terminal board monitor		
				9	VIA terminal board monitor		
				10	VIB terminal board monitor		
				11	Output motor speed monitor		
FB78	113	Block read data 4	-	0	No selection	0	
				1	Status information		
				2	Output frequency		
				3	Output current		
				4	Output voltage		
				5	Alarm information		
				6	PID feedback value		
				7	Input terminal board monitor		
				8	Output terminal board monitor		
				9	VIA terminal board monitor		
				10	VIB terminal board monitor		
				11	Output motor speed monitor		

User settings tables

Code	Page	Name	Unit	Adjustment Range / Function		Factory Setting	User Setting
<i>F B 7 9</i>	113	Block read data 5	-	0	No selection	0	
				1	Status information		
				2	Output frequency		
				3	Output current		
				4	Output voltage		
				5	Alarm information		
				6	PID feedback value		
				7	Input terminal board monitor		
				8	Output terminal board monitor		
				9	VIA terminal board monitor		
				10	VIB terminal board monitor		
11	Output motor speed monitor						
<i>F B 8 0</i>	113	Free notes	-	-	0 – 65535	0	
<i>F B 9 0</i>	117	Parameter for option 1	-	-	0 – 65535	(1)	
<i>F B 9 1</i>	117	Parameter for option 2	-	-	0 – 65535	(1)	
<i>F B 9 2</i>	117	Parameter for option 3	-	-	0 – 65535	(1)	
<i>F B 9 3</i>	117	Parameter for option 4	-	-	0 – 65535	(1)	
<i>F B 9 4</i>	117	Parameter for option 5	-	-	0 – 65535	(1)	
<i>F B 9 5</i>	117	Parameter for option 6	-	-	0 – 65535	(1)	
<i>F B 9 6</i>	117	Parameter for option 7	-	-	0 – 65535	(1)	
<i>F 9 1 0</i>	116	Permanent magnet motor step-out detection current level	%/A	-	10 – 150%	100	
<i>F 9 1 1</i>	116	Permanent magnet motor step-out detection time	s	0	Disabled	0.00	
				0.01-25	Enabled		
<i>F 9 1 2</i>	116	Permanent magnet motor high-speed torque adjustment coefficient	-	-	DO NOT ADJUST	0.00	

(1) See table page [117](#).

